

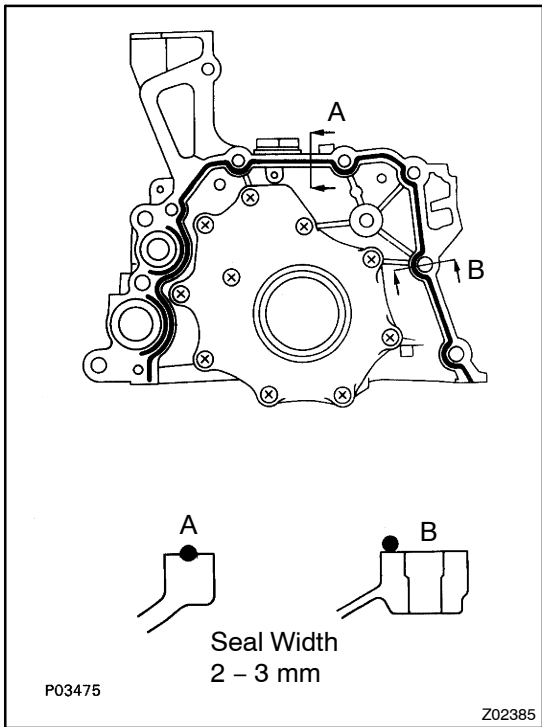
INSTALLATION

1. INSTALL OIL PUMP

- (a) Place 2 new O-rings in position on the cylinder block.
- (b) Remove any old packing (FIPG) material and be careful not to drop any oil on the contact surfaces of the oil pump and cylinder block.
 - Using a razor blade gasket scraper, remove all the old packing (FIPG) material from the gasket surfaces and sealing groove.
 - Thoroughly clean all components to remove all the debris.
 - Using a non-residue solvent, clean both sealing surfaces.

NOTICE:

Do not use a solvent which will affect the painted surfaces.



- (c) Apply seal packing to the oil pump as shown in the illustration.

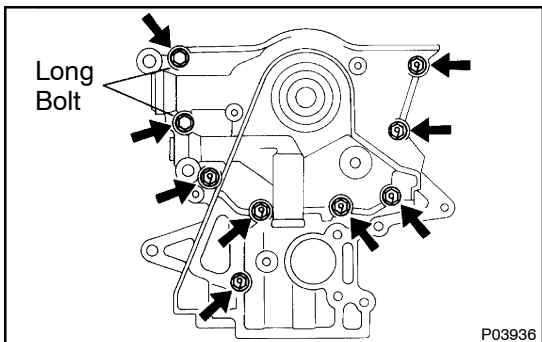
Seal packing: Part No.08826-00080 or equivalent

- Install a nozzle that has been cut to a 2 – 3 mm (0.08 – 0.12 in.) opening.

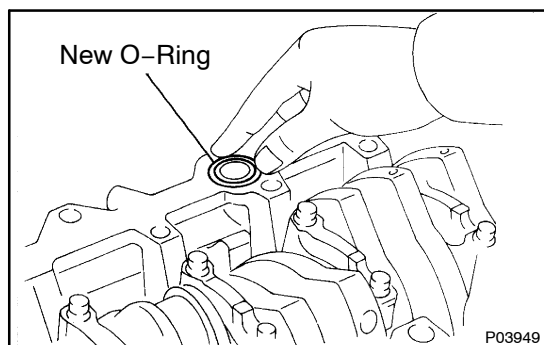
HINT:

Avoid applying an excessive amount to the surface. Be particularly careful near oil passages.

- Parts must be assembled within 5 minutes of application. Otherwise the material must be removed and reapplied.
- Immediately remove nozzle from the tube and reinstall cap.



- (d) Install the oil pump with the 9 bolts.
Torque: 21 N·m (210 kgf·cm, 15 ft·lbf)

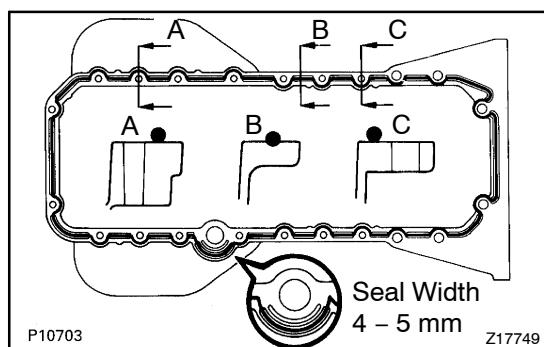


2. INSTALL NO.1 OIL PAN

- (a) Place a new O-ring in the position on the cylinder block.
- (b) Remove any old packing (FIPG) material and be careful not to drop any oil on the contact surfaces of the No.1 oil pan and cylinder block.
 - Using a razor blade and gasket scraper, remove all the old packing (FIPG) material from the gasket surfaces and sealing groove.
 - Thoroughly clean all components to remove all the debris.
 - Using a non-residue solvent, clean both sealing surfaces.

NOTICE:

Do not use a solvent which will affect the painted surfaces.



- (c) Apply seal packing to the No.1 oil pan as shown in the illustration.

Seal packing: Part No.08826-00080 or equivalent

- Install a nozzle that has been cut to a 4 – 5 mm (0.16 – 0.20 in.) opening.

HINT:

Avoid applying an excessive amount to the surface.

- Parts must be assembled within 5 minutes of application. Otherwise the material must be removed and reapplied.
- Immediately remove nozzle from the tube and reinstall cap.

- (d) Install the No.1 oil pan with the 22 bolts.

Torque:

12 mm head 21 N·m (210 kgf·cm, 15 ft·lbf)

14 mm head 40 N·m (400 kgf·cm, 30 ft·lbf)

3. INSTALL OIL PAN BAFFLE PLATE

Torque: 9.0 N·m (90 kgf·cm, 80 in·lbf)

4. INSTALL OIL STRAINER

Install a new gasket and the oil strainer with the bolt and 2 nuts.

Torque: 9.0 N·m (90 kgf·cm, 80 in·lbf)

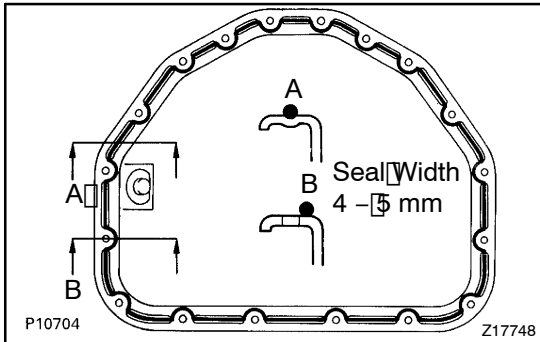
5. INSTALL NO.2 OIL PAN

- (a) Remove any old packing (FIPG) material and be careful not to drop any oil on the contact surfaces of the No.1 and No.2 oil pans.
 - Using a razor blade and gasket scraper, remove all the old packing (FIPG) material from the gasket surfaces and sealing groove.
 - Thoroughly clean all components to remove all the debris.

- Using a non-residue solvent, clean both sealing surfaces.

NOTICE:

Do not use a solvent which will affect the painted surfaces.



- (b) Apply seal packing to the No. 2 oil pan as shown in the illustration.

Seal packing: Part No. 08826-00080 or equivalent

- Install a nozzle that has been cut to a 4 - 5 mm (0.16 - 0.20 in.) opening.

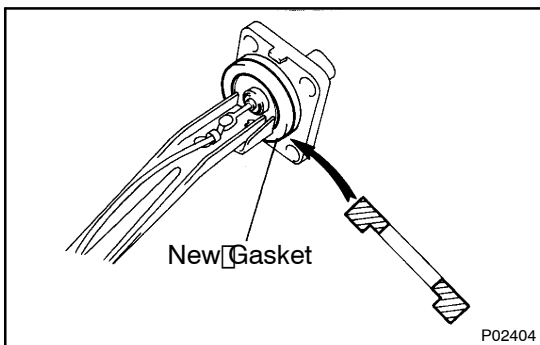
HINT:

Avoid applying an excessive amount to the surface.

- Parts must be assembled within 5 minutes of application. Otherwise the material must be removed and reapplied.
- Immediately remove nozzle from the tube and reinstall cap.

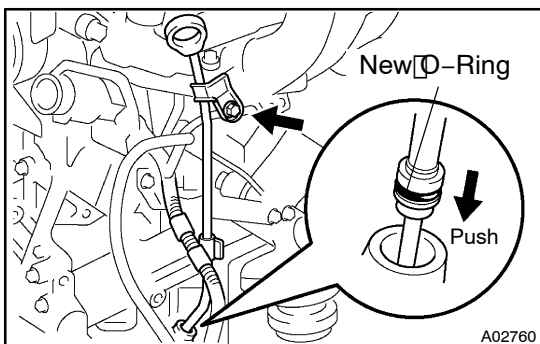
- (c) Install the No. 2 oil pan with the 16 bolts and 2 nuts.

Torque: 9.0 N·m (90 kgf·cm, 80 in·lbf)



6. INSTALL OIL LEVEL SENSOR

- (a) Install a new gasket to the level sensor.
 (b) Install the level sensor with the 4 bolts.
Torque: 5.4 N·m (55 kgf·cm, 48 in·lbf)
 (c) Connect the level sensor connector.



7. INSTALL OIL DIPSTICK GUIDE AND DIPSTICK

- (a) Install a new O-ring on the dipstick guide.
 (b) Apply soapy water on the O-ring.
 (c) Push in the dipstick guide into the guide hole of the No. 1 oil pan.
 (d) Install the dipstick guide with the bolt.
 (e) Install the dipstick.
 (f) Connect the engine wire clamp to the dipstick guide.

8. INSTALL CRANKSHAFT TIMING PULLEY, IDLER PULLEY AND TIMING BELT (See page EM-24)

9. INSTALL CRANKSHAFT POSITION SENSOR
Torque: 9.0 N·m (90 kgf·cm, 80 in·lbf)
10. REMOVE ENGINE STAND FROM ENGINE
11. ASSEMBLY ENGINE AND TRANSMISSION (See page EM-70)
12. INSTALL ENGINE WITH TRANSMISSION (See page EM-70)