

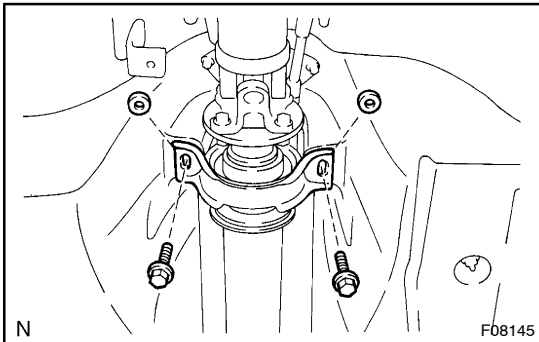
INSTALLATION

1. INSTALL PROPELLER SHAFT

- (a) Remove the SST.
SST 09325-40010
- (b) Insert the propeller shaft assembly to the transmission.

NOTICE:

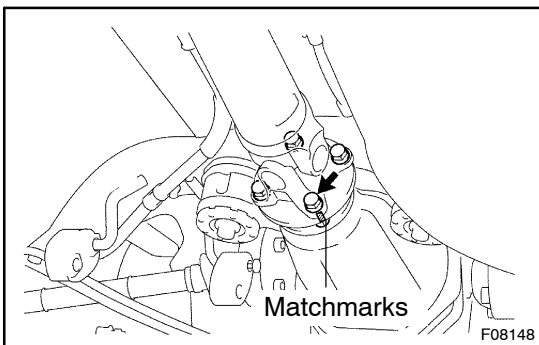
Support the center support bearing by hand so that the transmission and intermediate shaft, and propeller shaft and differential, remain in a straight line.



- (c) Temporarily install the 2 center support bearing set bolts with the adjusting washers.

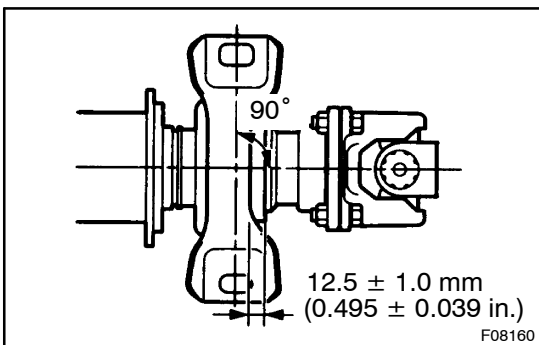
HINT:

Use the adjusting washers which were removed.



- (d) Align the matchmarks and install the propeller shaft on the differential with the 4 bolts, washers and nuts.

Torque: 74 N·m (750 kgf·cm, 54 ft·lbf)



- (e) Torque the 2 center support bearing set bolts.

Torque: 49 N·m (500 kgf·cm, 36 ft·lbf)

HINT:

Adjust the center support bearing to keep the dimension, as shown with the vehicle in the unladen condition.

Under the same condition, check if the center line of the center support bearing is at right angles to the shaft axial direction.

2. INSTALL EXHAUST PIPE ASSEMBLY

- (a) Connect the exhaust pipe assembly to the 4 O-rings.
- (b) Install the exhaust pipe assembly with the 2 gaskets, 3 bolts, retainer and nut.

Torque: 62 N·m (632 kgf·cm, 46 ft·lbf)

- (c) Connect the heated oxygen sensor.

Torque: 44 N·m (450 kgf·cm, 33 ft·lbf)

3. INSTALL NO. 1 REAR FLOOR BOARD
4. INSTALL NO.2 ENGINE UNDER COVER
5. INSTALL LH FRONT FLOOR CENTER COVER
6. INSTALL NO.1 ENGINE UNDER COVER