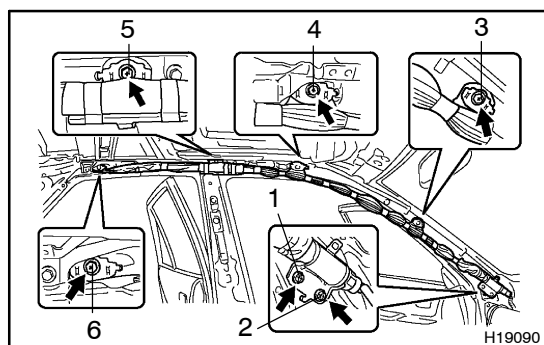


INSTALLATION

NOTICE:

Never use airbag parts removed from another vehicle. When replacing parts, replace them with new parts.



1. INSTALL CURTAIN SHIELD AIRBAG ASSEMBLY

(a) In order shown in the illustration, install the curtain shield airbag assembly with the 6 bolts.

Torque: 9.8 N·m (100 kgf·cm, 86 in·lbf)

CAUTION:

Pay attention not to twist the deployment section of the curtain shield airbag assembly.

NOTICE:

- Make sure that the curtain shield airbag assembly is installed with the specified torque.
- If the curtain shield airbag assembly has been dropped, or any cracks, dents or other defects in the case or connector, replace the curtain shield airbag assembly with a new one.
- When installing the curtain shield airbag assembly, be careful to prevent it from being pinched between other parts.

(b) Connect the connector of the curtain shield airbag assembly.

2. INSTALL INSTRUMENT PANEL (See page BO-65)

3. When inflator is installed:

INSTALL CURTAIN SHIELD AIRBAG ASSEMBLY

In order shown in the illustration, install the deployment section of the curtain shield airbag assembly with the 4 bolts.

Torque: 9.8 N·m (100 kgf·cm, 86 in·lbf)

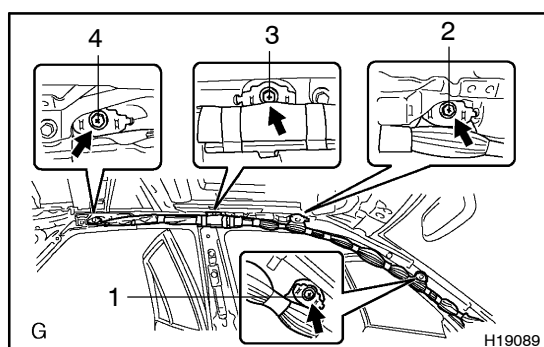
CAUTION:

Pay attention not to twist it.

NOTICE:

- Make sure that the curtain shield airbag assembly is installed with the specified torque.
- When installing the curtain shield airbag assembly, be careful to prevent it from being pinched between other parts.

4. INSTALL ROOF HEADLINING



Pages for reference	See page
Sedan	BO-76
Wagon	BO-85