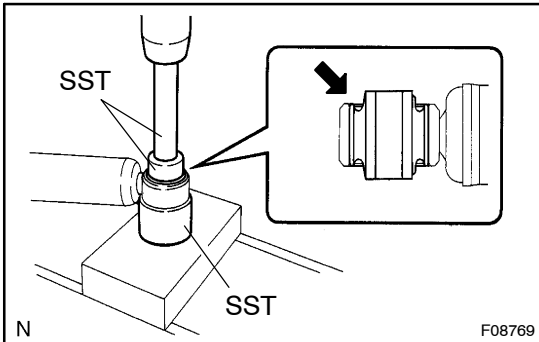


## REPLACEMENT

### 1. REMOVE BUSHING

Using SST and a press, remove the bushing.

SST 09710-28021 (09710-08031),  
09710-30021 (09710-03131),  
09950-70010 (09951-07100)



### 2. INSTALL BUSHING

Using SST and a press, install a new bushing.

SST 09710-28021 (09710-08031),  
09710-30021 (09710-03131),  
09950-70010 (09951-07100)

#### HINT:

Install the bushing until it is flush with the bushing bracket of the shock absorber.