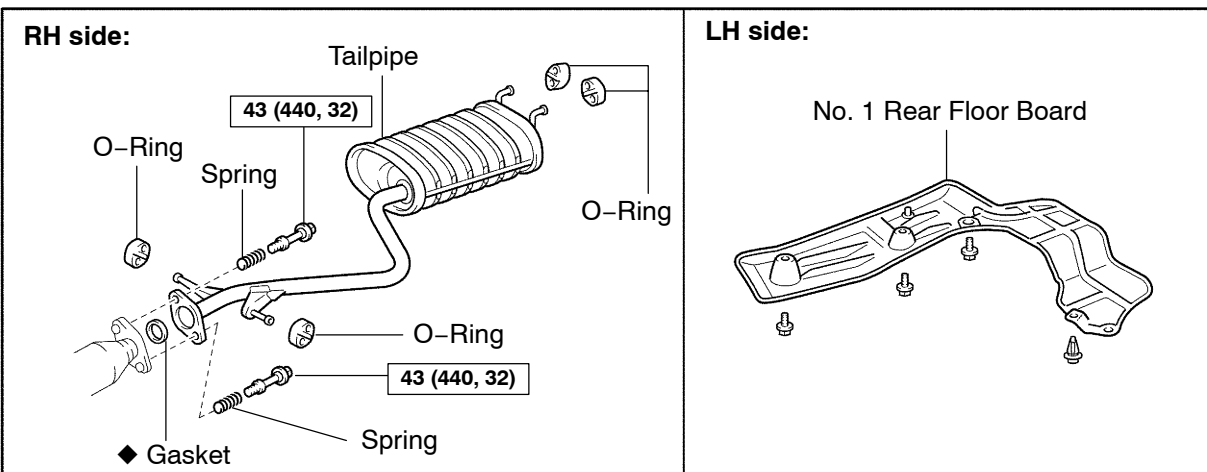
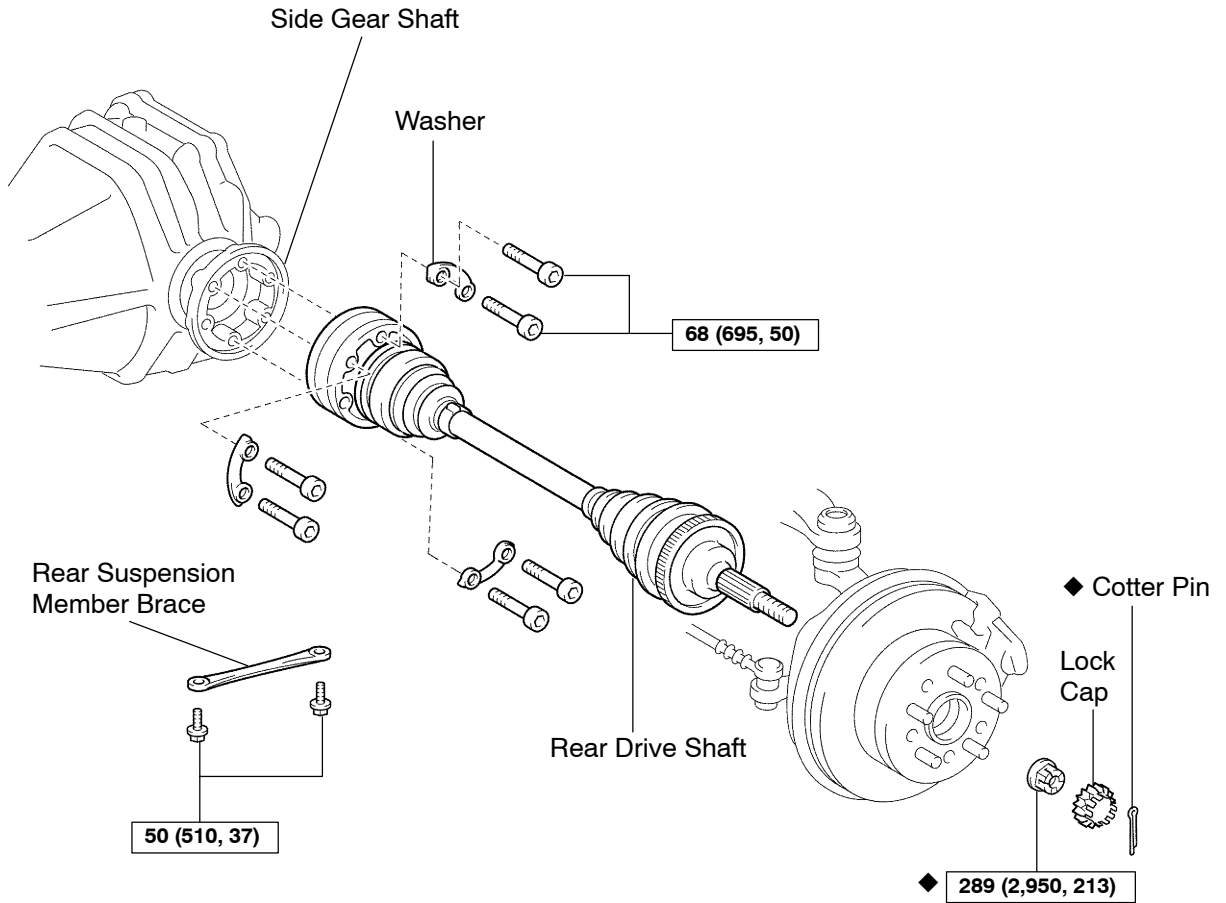


REAR DRIVE SHAFT (2JZ-GE)

COMPONENTS

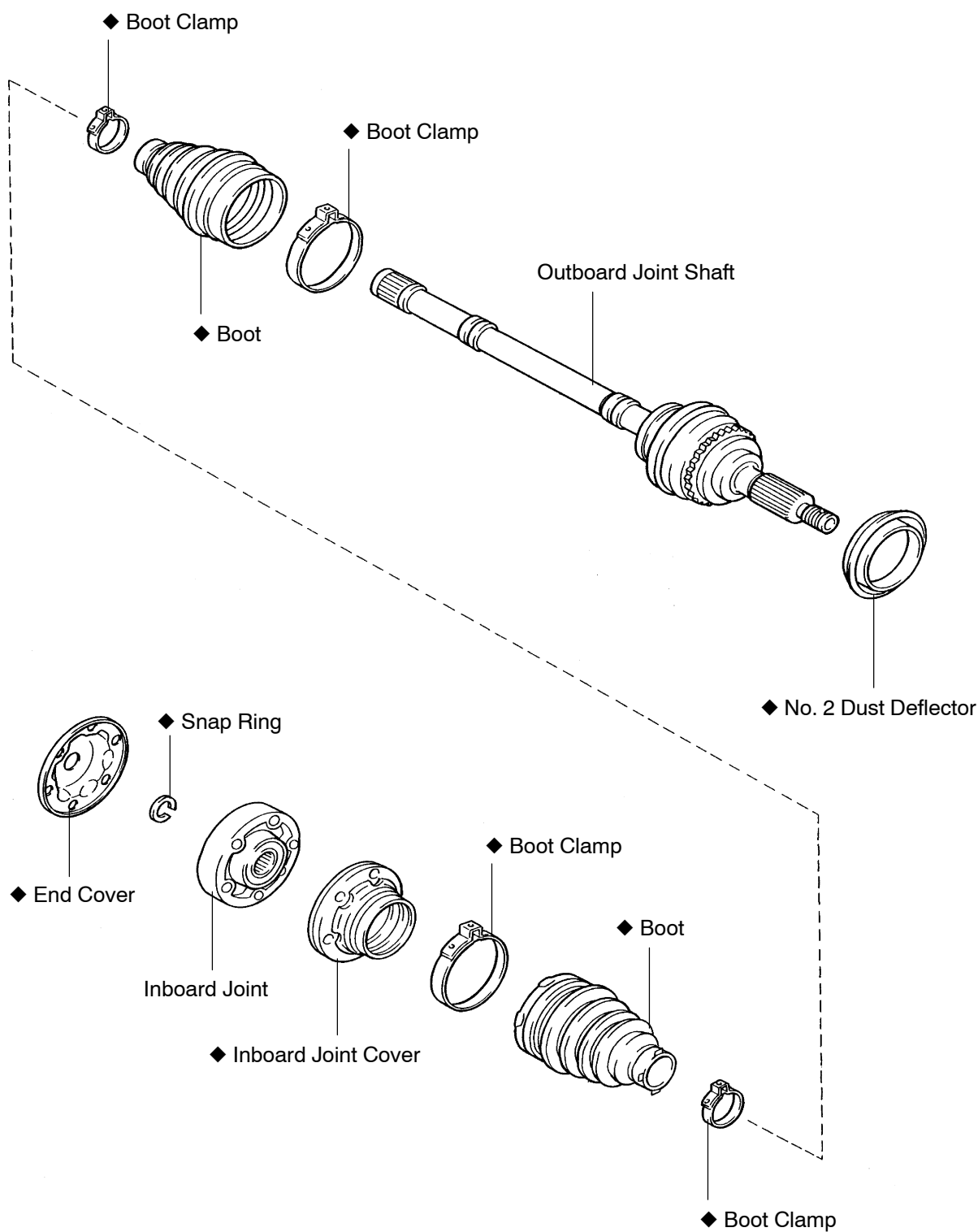
SA282-01



N·m (kgf·cm, ft·lbf) : Specified torque
 ◆ Non-reusable part

P

F13666



N

◆ Non-reusable part

F08720