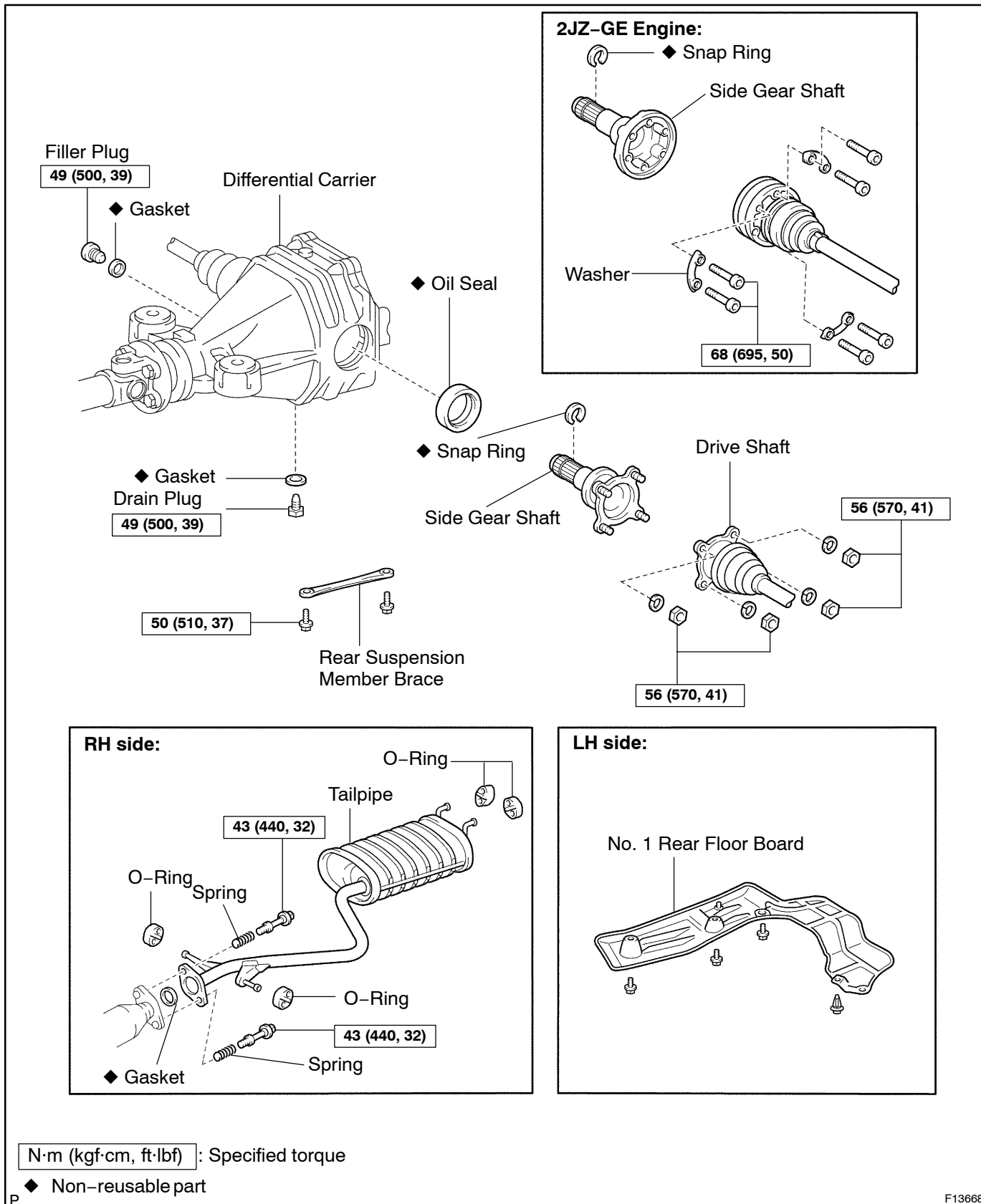


REAR DIFFERENTIAL SIDE GEAR SHAFT OIL SEAL COMPONENTS

SA098-07



F13668