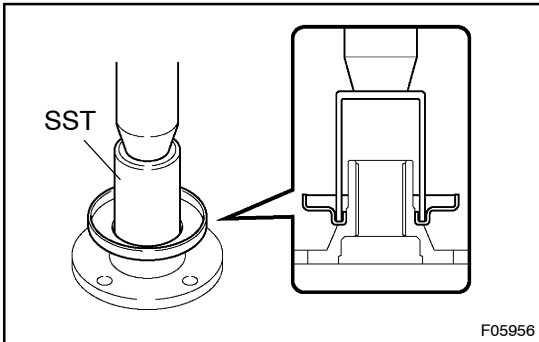


REPLACEMENT

1. REPLACE COMPANION FLANGE DUST DEFLECTOR, IF NECESSARY

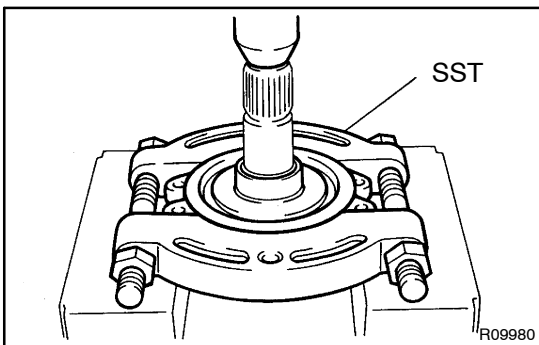
- (a) Using SST and a press, remove the dust deflector.
SST 09950-00020, 09950-60010 (09951-00400),
09950-70010 (09951-07100)



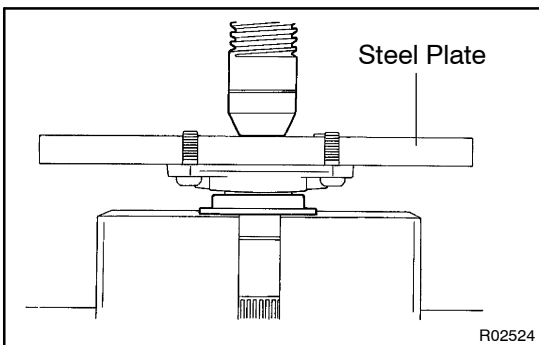
- (b) Using SST and a press, install a new dust deflector.
SST 09223-00010

2. REPLACE SIDE GEAR SHAFT DUST COVER, IF NECESSARY

- (a) 1G-FE Engine:
Using screwdriver and hammer, remove the dust cover.



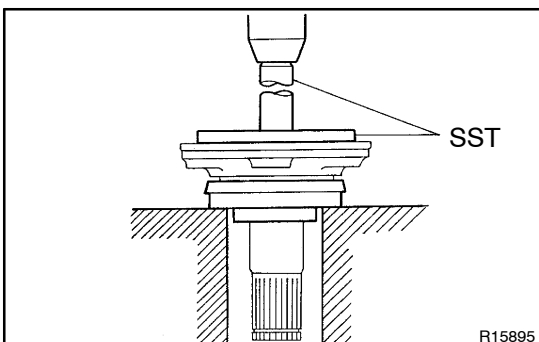
- (b) 2JZ-GE Engine:
Using SST and a press, remove the dust cover.
SST 09950-00020



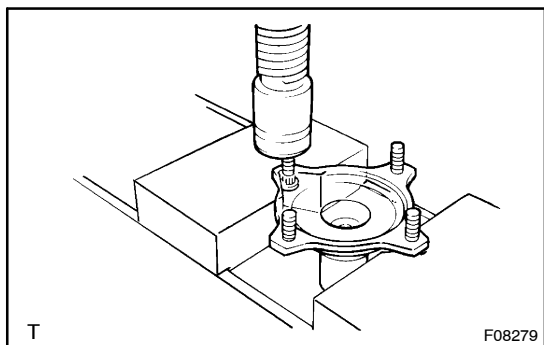
- (c) 1G-FE Engine:
Using a steel plate and press, install a new dust cover.

NOTICE:

Be careful not to deform the dust cover.

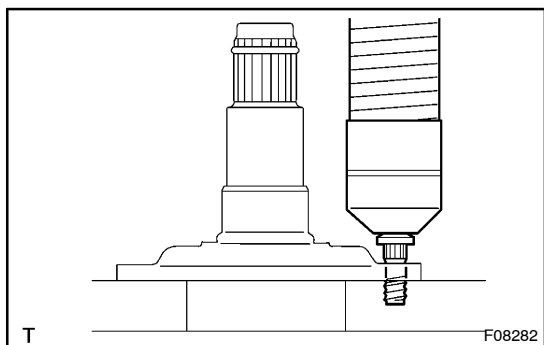


- (d) 2JZ-GE Engine:
Using SST and a press, install a new dust cover.
SST 09502-24010, 09950-60020 (09951-00780),
09950-70010 (09951-07150)



3. REPLACE SIDE GEAR SHAFT SERRATION BOLT, IF NECESSARY

(a) Using a press, remove the serration bolt.



(b) Using a press, install a new serration bolt.