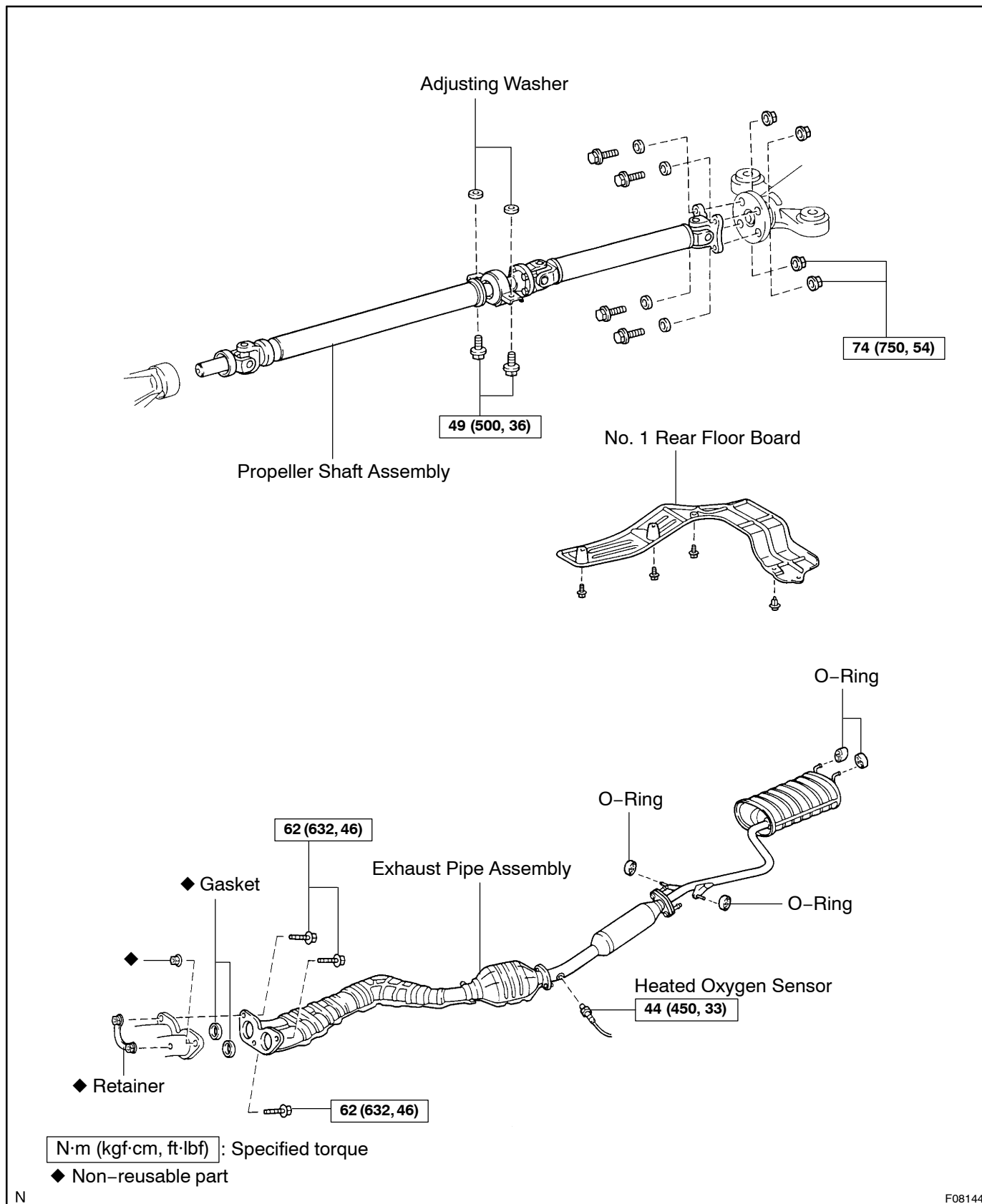


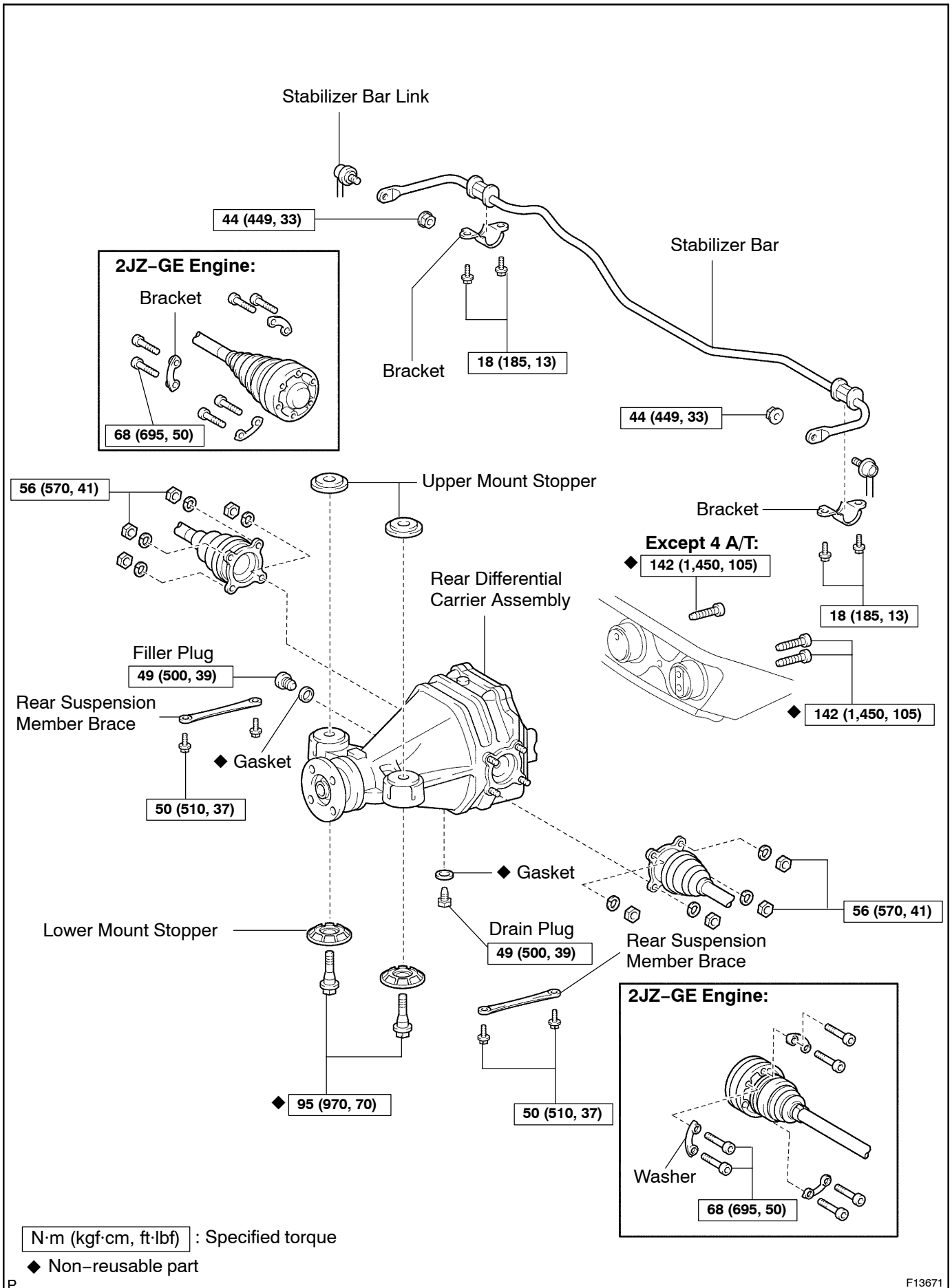
# DIFFERENTIAL MOUNTING CUSHION COMPONENTS

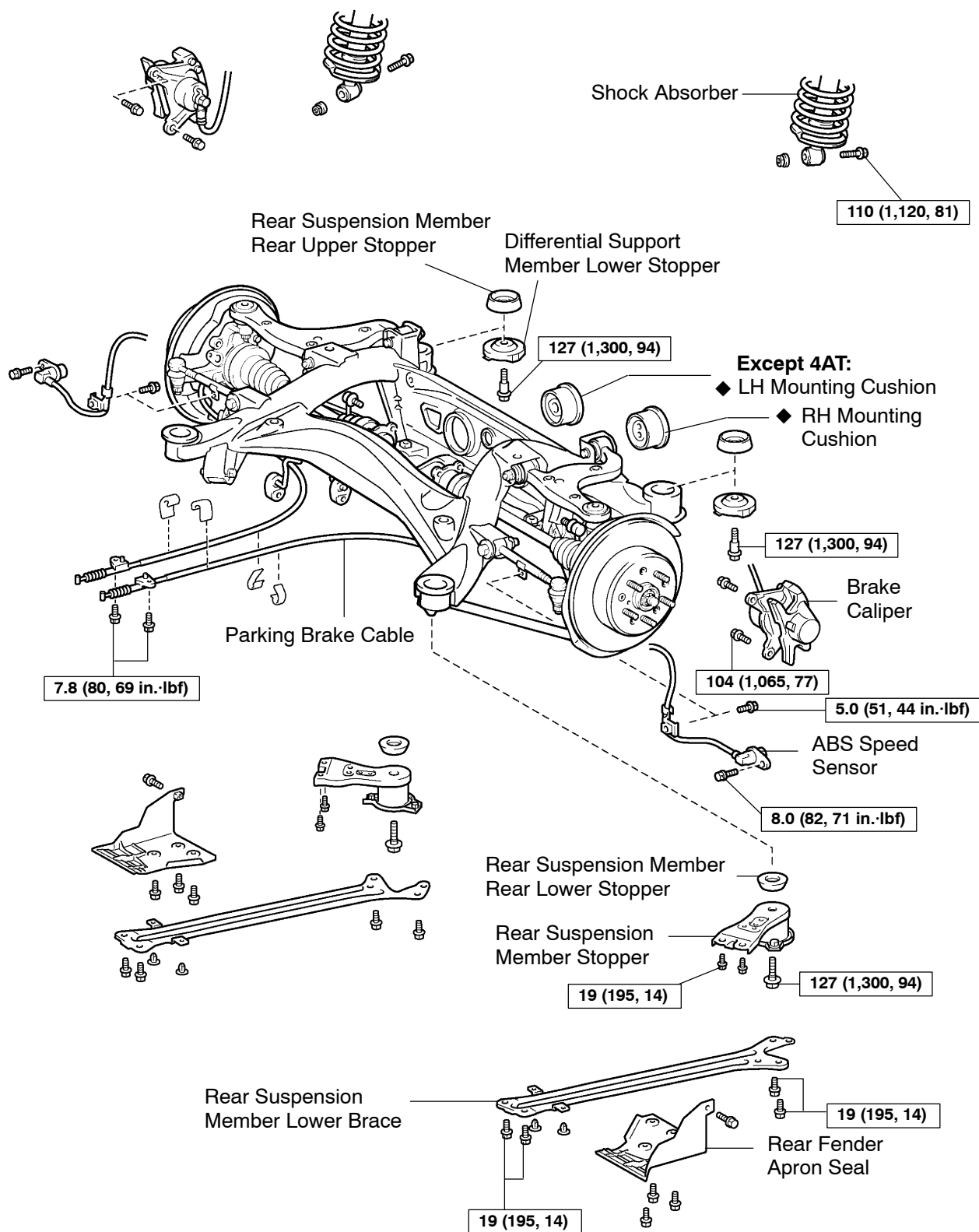
SA1JH-04



N

F08144





N·m (kgf·cm, ft·lbf) : Specified torque

◆ Non-reusable part