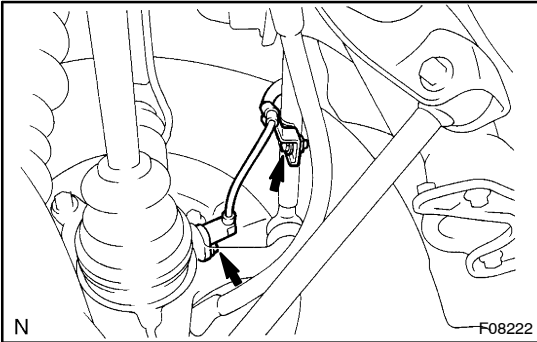


REPLACEMENT

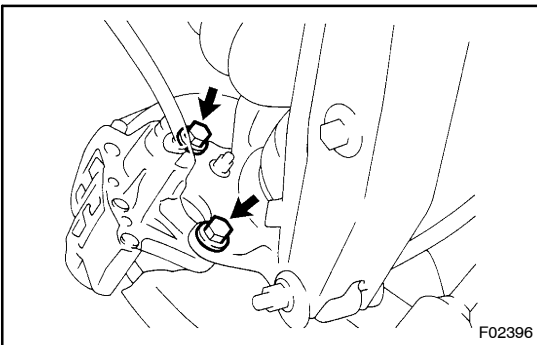
1. REMOVE REAR WHEELS
2. REMOVE REAR DIFFERENTIAL CARRIER ASSEMBLY (See page SA-46)



3. DISCONNECT RH AND LH ABS SPEED SENSORS AND WIRE HARNESS

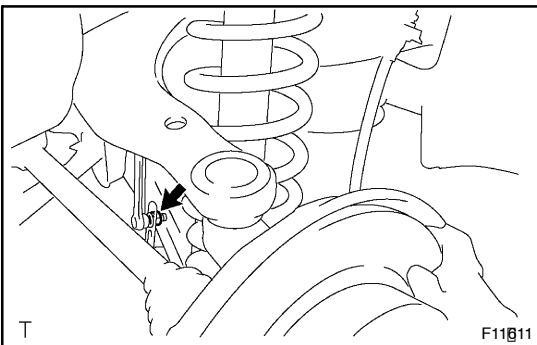
- (a) Remove the bolt and disconnect the ABS speed sensor from the rear axle carrier.
- (b) Remove the bolt and disconnect the ABS speed sensor wire harness clamp from the toe control link.
- (c) Employ the same manner described above to the other side.

4. REMOVE RH AND LH REAR FENDER APRON SEALS



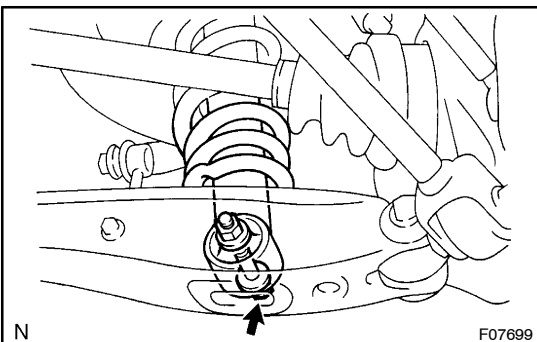
5. REMOVE RH AND LH BRAKE CALIPERS

- (a) Remove the 2 bolts and brake caliper from the axle carrier.
- (b) Support the brake caliper securely.
- (c) Employ the same manner described above to the other side.



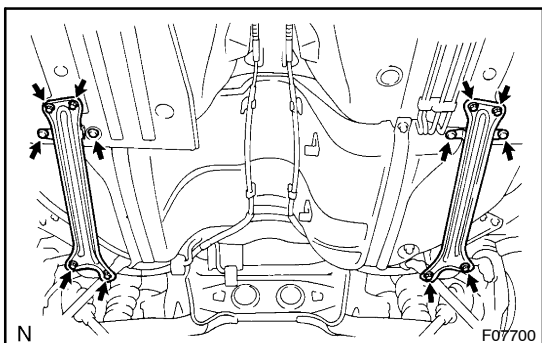
6. DISCONNECT HEIGHT CONTROL SENSOR LINK

Remove the nut and disconnect the height control sensor link from lower arm bracket.



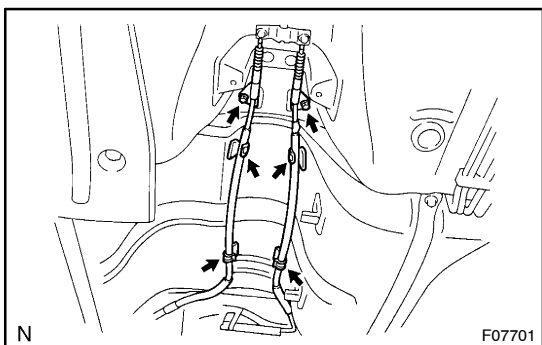
7. DISCONNECT RH AND LH SHOCK ABSORBERS FROM NO. 2 LOWER SUSPENSION ARMS

- (a) Remove the nut and bolt, and disconnect the shock absorber.
- (b) Employ the same manner described above to the other side.



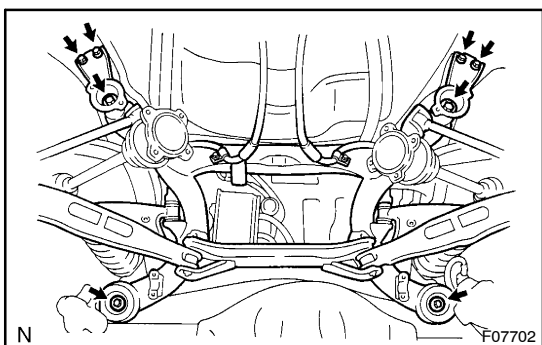
8. REMOVE RH AND LH REAR SUSPENSION MEMBER LOWER BRACES

Remove the 8 bolts, 4 clips and 2 lower braces.



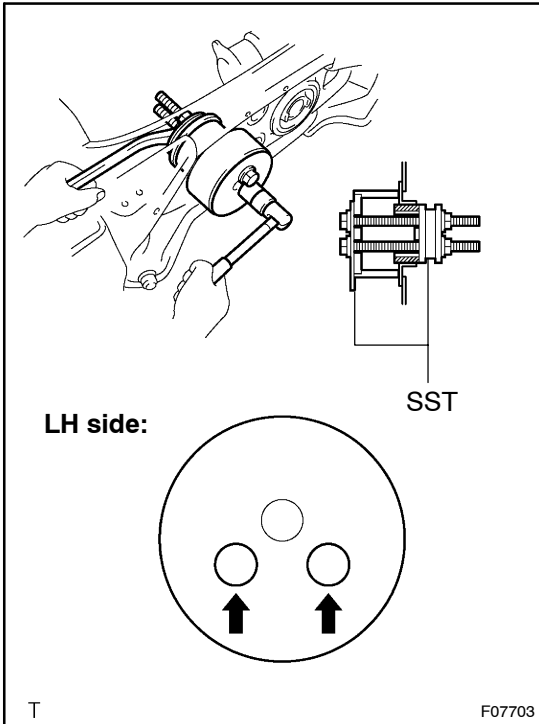
9. DISCONNECT PARKING BRAKE CABLE

- (a) Disconnect the parking brake cable from the 4 clamps.
- (b) Remove the 2 bolts and disconnect the parking brake cable.



10. REMOVE REAR SUSPENSION MEMBER

- (a) Support the rear suspension member with a jack.
- (b) Remove the 8 bolts, 2 rear suspension member stoppers and 2 differential support member lower stoppers.
- (c) Lower the rear suspension member.
- (d) Remove the rear suspension member rear upper and lower stoppers from the rear suspension member.



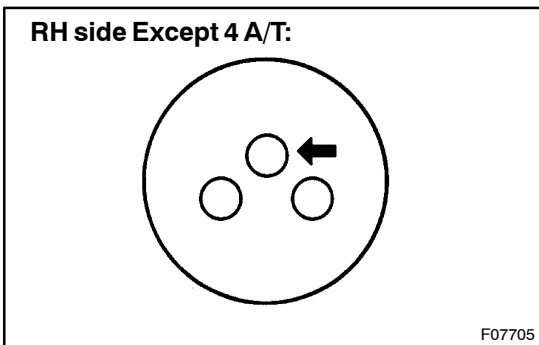
11. REMOVE DIFFERENTIAL MOUNTING CUSHION

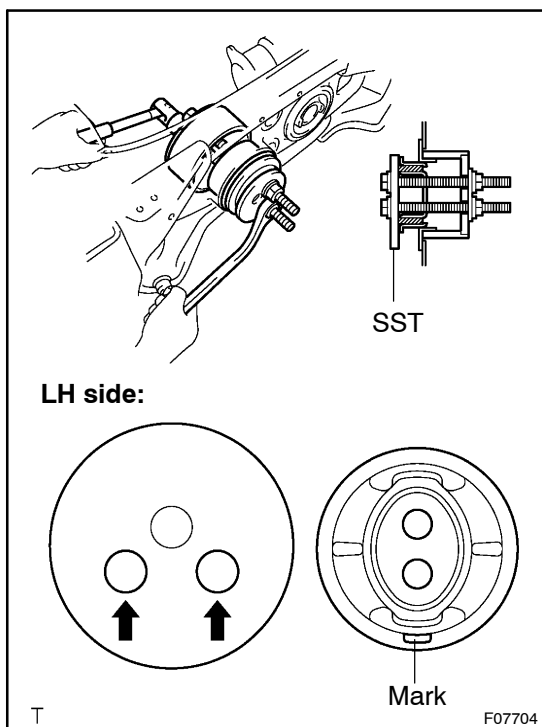
Using SST, remove the differential mounting cushion.

SST 09316-12010, 09570-24010

NOTICE:

- When driving out the mounting cushion, be careful not to touch the suspension member with the SST.
- Align the SST straight so that the bolt of the SST is parallel with the center line of the mounting cushion.
- When installing the bolts to the RH and LH differential mounting cushions, make sure that the bolts are passed through the correct holes in the SST, as shown in the illustration.



**12. INSTALL DIFFERENTIAL MOUNTING CUSHION**

Using SST, install the cushion so that the marks are positioned, as shown in the illustration.

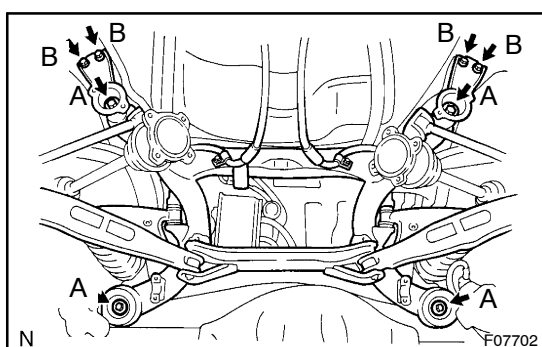
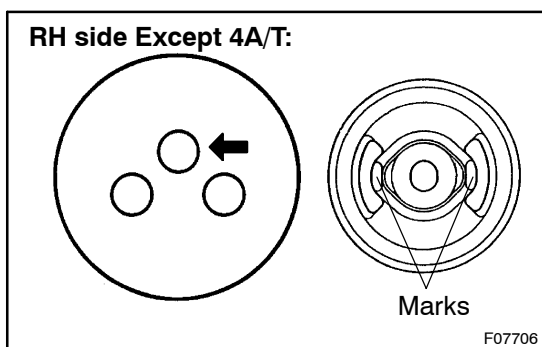
SST 09570-24010

NOTICE:

- Be careful not to confuse RH and LH sides, and its top and bottom.
- Set the SST after temporarily installing the differential mounting cushion into the member so as not to install at an angle.
- To confirm that the differential mounting cushion is aligned straight in relation to the member, check that the SST is fully in contact with all of the cushion.

13. INSTALL REAR SUSPENSION MEMBER

- (a) Install the rear suspension member rear upper and lower stoppers to the rear suspension member.



- (b) Install the 2 differential support member lower stopper, rear suspension member stopper with the 8 bolts.

Torque:

A bolt: 127 N·m (1,300 kgf·cm, 94 ft·lbf)

B bolt: 19 N·m (195 kgf·cm, 14 ft·lbf)

- (c) Lower the jack.

14. CONNECT PARKING BRAKE CABLE

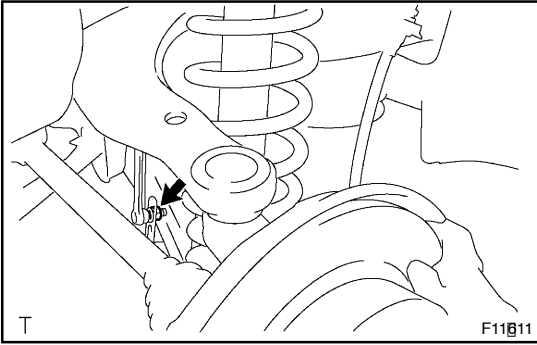
Torque: 7.8 N·m (80 kgf·cm, 69 in·lbf)

15. INSTALL RH AND LH REAR SUSPENSION MEMBER LOWER BRACES

Torque: 19 N·m (195 kgf·cm, 14 ft·lbf)

16. CONNECT RH AND LH SHOCK ABSORBERS TO NO. 2 LOWER SUSPENSION ARMS

Torque: 110 N·m (1,120 kgf·cm, 81 ft·lbf)

**17. CONNECT HEIGHT CONTROL SENSOR LINK**

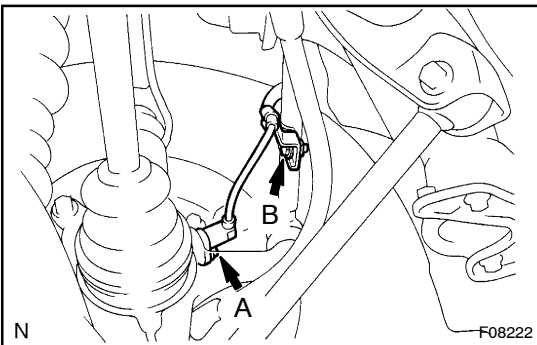
- (a) Set the lower arm to the vehicle height.
- (b) Install the sensor link to the lower arm bracket with a nut.
Torque: 5.4 N·m (55 kgf·cm, 48 ft·lbf)

NOTICE:

- Be careful not to brake the link fixing pin until the above operation is completed.
- The pin can be broken after completion of the above, however, the sensor arm rotation angle shall not exceed the range of $\pm 70^\circ$ from the standard vehicle height.

18. INSTALL RH AND LH BRAKE CALIPERS TO STEERING KNUCKLES

Torque: 104 N·m (1,065 kgf·cm, 77 ft·lbf)

19. INSTALL RH AND LH REAR FENDER APRON SEALS**20. CONNECT RH AND LH ABS SPEED SENSORS AND WIRE HARNESS**

Torque:

Bolt A: 3.0 N·m (32 kgf·cm, 71 in·lbf)

Bolt B: 5.0 N·m (51 kgf·cm, 44 in·lbf)

21. INSTALL REAR DIFFERENTIAL CARRIER ASSEMBLY
(See page SA-67)**22. INSTALL REAR WHEELS**

Torque: 103 N·m (1,050 kgf·cm, 76 ft·lbf)

23. DEPRESS BRAKE PEDAL SEVERAL TIMES**24. CHECK REAR WHEEL ALIGNMENT**

(See page SA-8)

25. CHECK ABS SPEED SENSOR SIGNAL

w/VSC (See page DI-318)

w/o VSC (See page DI-251)