

REASSEMBLY

INSTALL SUSPENSION SUPPORT AND COIL SPRING

- (a) Using SST, compress the coil spring.
 SST 09727-30021 (09727-00010, 09727-00021, 09727-00031)

NOTICE:

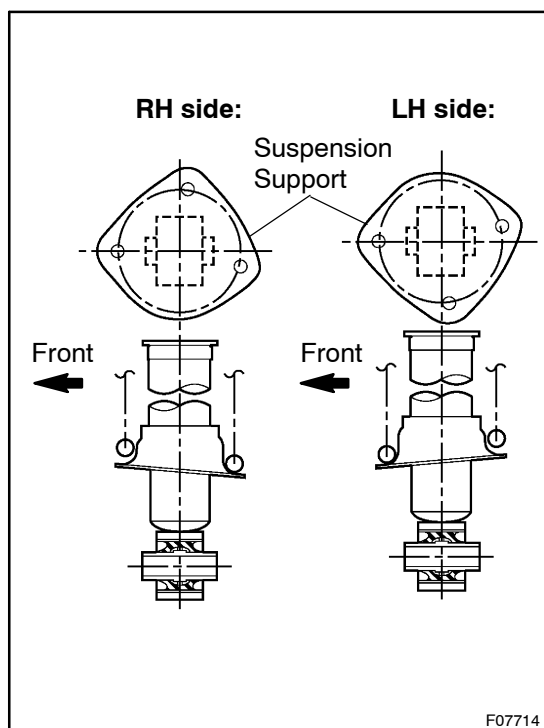
Do not use an impact wrench. It will damage the SST.

- (b) Install the coil spring to the shock absorber.

HINT:

Fit the lower end of the coil spring into the gap of the spring seat of the shock absorber.

- (c) Install the spring bumper, cushion, collar, upper insulator, suspension support, cushion and washer to the shock absorber and temporarily tighten a new nut.



- (d) Rotate the suspension support, as shown in the illustration.

- (e) Remove the SST.

SST 09727-30021 (09727-00010, 09727-00021, 09727-00031)

HINT:

After removing the SST, recheck the direction of the suspension support.