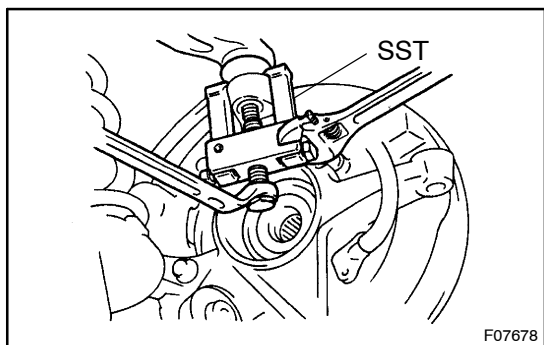
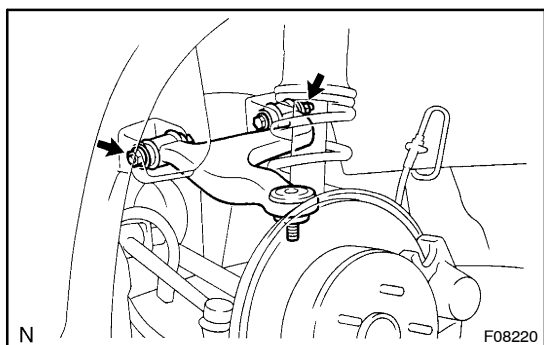


REMOVAL

1. REMOVE REAR WHEEL
2. REMOVE DRIVE SHAFT
 - 2JZ-GE Engine: (See page SA-26)
 - 1G-FE Engine:
 - (See Pub. No. RM684E on page SA-56)
3. REMOVE UPPER SUSPENSION ARM
 - (a) Remove the nut.



- (b) Using SST, disconnect the upper suspension arm from the axle carrier.
 - SST 09628-62011
- (c) Support the axle carrier securely.



- (d) Remove the 2 nuts, washers, bolts and upper suspension arm from the body.