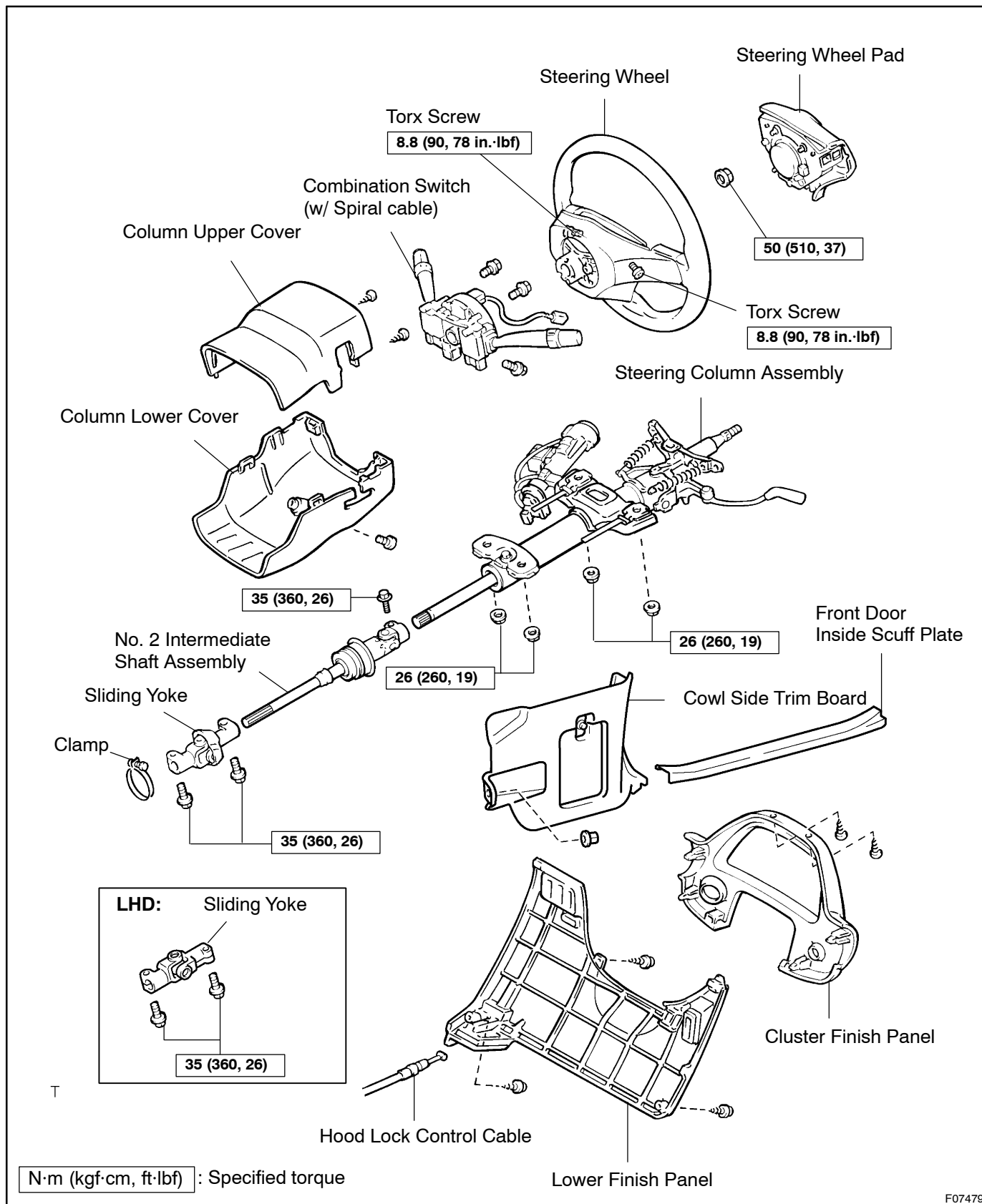


TILT STEERING COLUMN COMPONENTS

SR1HG-01



F07479