

INSTALLATION

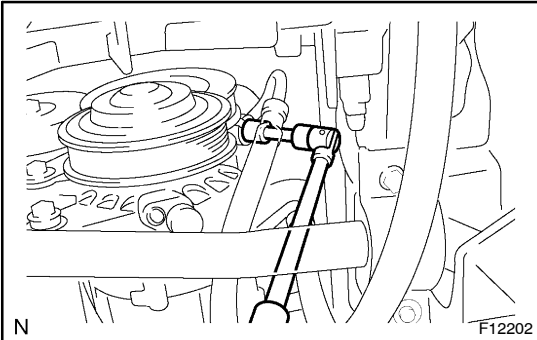
1. INSTALL PS VANE PUMP ASSEMBLY

Install the PS Vane Pump Assembly with the 2 bolts.

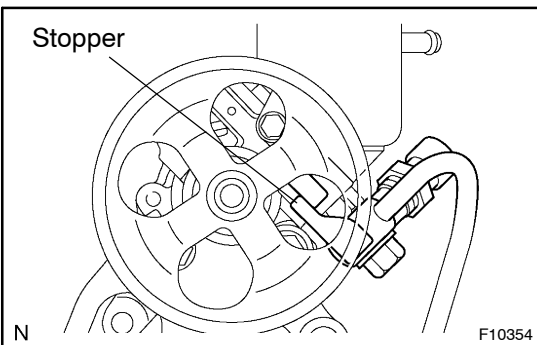
Torque: 58 N·m (590 kgf·cm, 43 ft·lbf)

2. CONNECT PRESSURE FEED TUBE

(a) Install a new gasket to the pressure feed tube.



(b) Connect the pressure feed tube with the union bolt.



HINT:

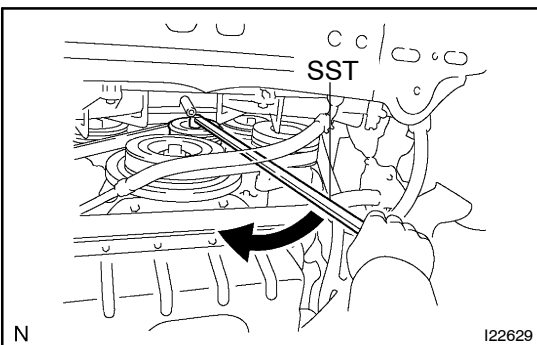
Make sure the stopper of the pressure feed tube touches the PS Vane Pump body as shown in the illustration, then install the union bolt.

Torque: 49 N·m (500 kgf·cm, 36 ft·lbf)

3. CONNECT RETURN HOSE

Connect the return hose with the clip.

4. CONNECT OIL PRESSURE SWITCH CONNECTOR



5. INSTALL DRIVE BELT

Using SST, loosen the drive belt tension by turning the drive belt tensioner clockwise from the bottom side, and install the drive belt.

SST 09216-00041

6. INSTALL NO. 1 ENGINE UNDER COVER

Install the No. 1 engine under cover with the 16 screws and clip.

7. BLEED POWER STEERING SYSTEM

(See page SR-2)