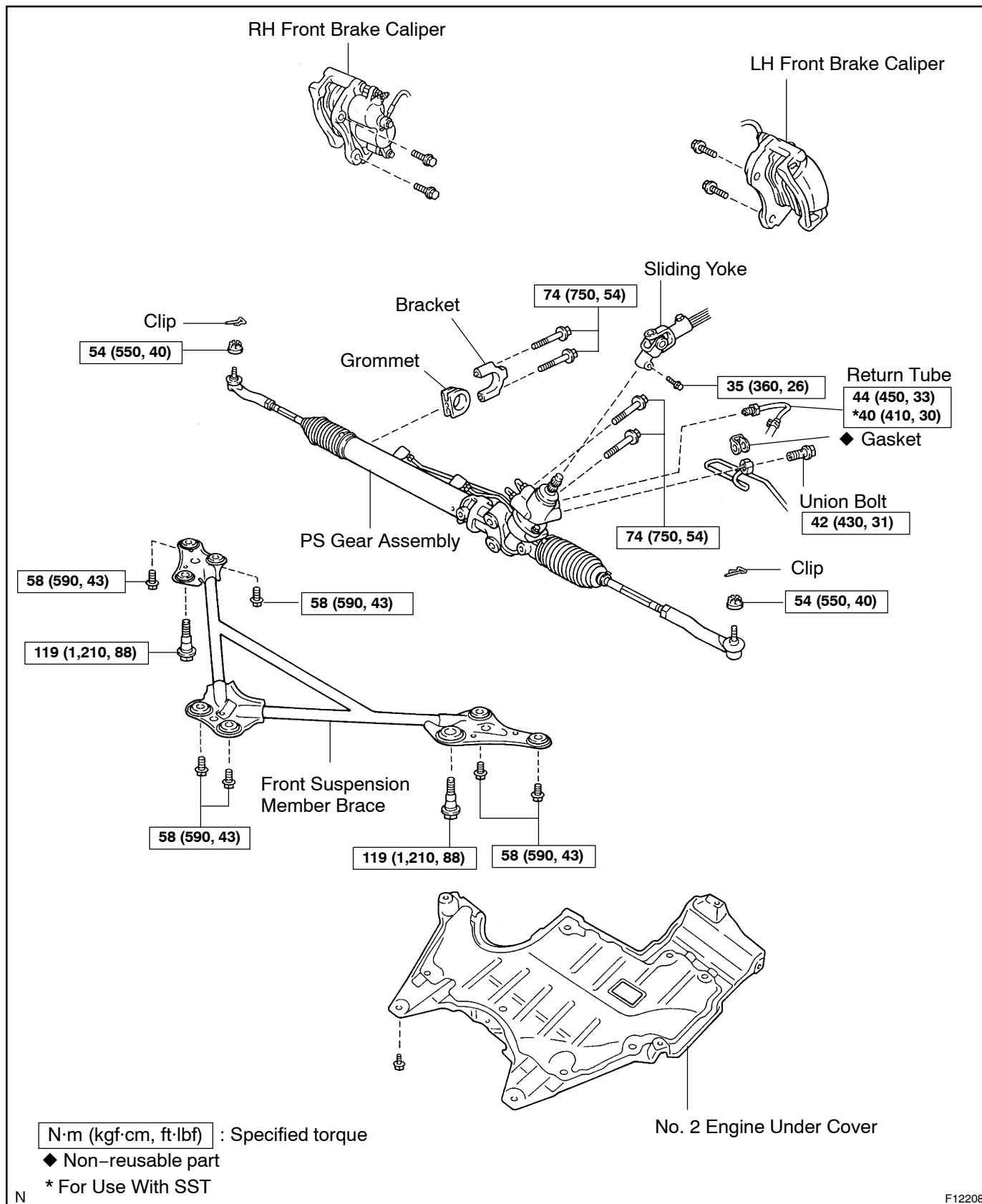


POWER STEERING GEAR (2JZ-GE) COMPONENTS

SR1H2-01



F12208

