

## DISASSEMBLY

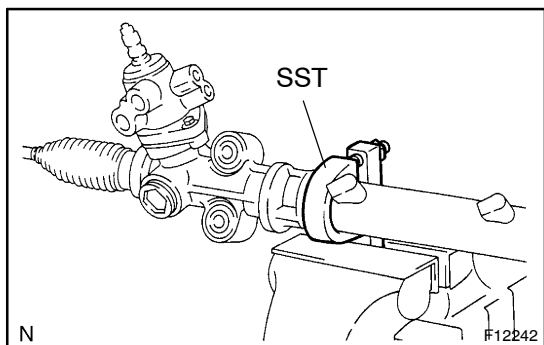
### NOTICE:

When using a vise, do not overtighten it.

#### 1. REMOVE 2 TURN PRESSURE TUBES

Using SST, remove the 2 turn pressure tubes.

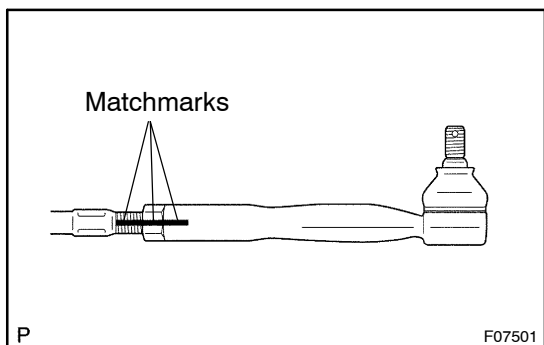
SST 09023-38200



#### 2. SECURE PS GEAR ASSEMBLY IN VISE

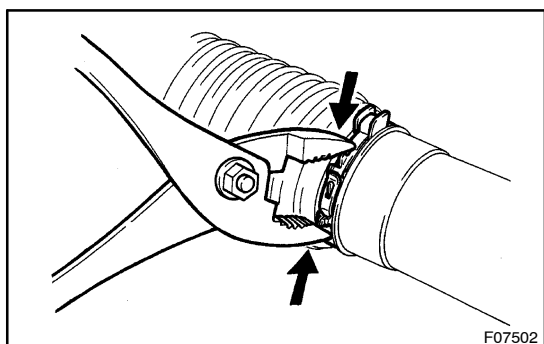
Using SST, secure the PS gear assembly in a vise.

SST 09612-00012



#### 3. REMOVE RH AND LH TIE ROD ENDS AND LOCK NUTS

- Place matchmarks on the tie rod end, lock nut and rack end.
- Loosen the lock nut, and remove the tie rod end and lock nut.
- Employ the same manner described above to the other side.



#### 4. REMOVE RH AND LH CLIPS, RACK BOOTS AND CLAMPS

- Using pliers, loosen the clamp as shown in the illustration.
- Remove the clamp, clip and rack boot.

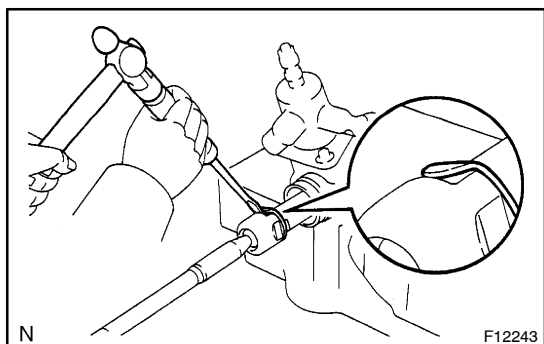
### NOTICE:

Be careful not to damage the boot.

### HINT:

Mark the RH and LH rack boots.

- Employ the same manner described above to the other side.

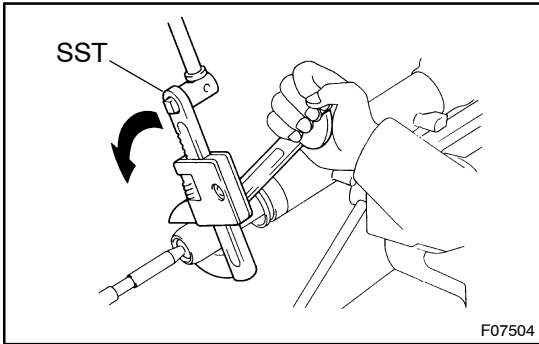


#### 5. REMOVE RH AND LH RACK ENDS AND CLAW WASHERS

- Using a screwdriver and a hammer, unstake the washer.

### NOTICE:

Avoid any impact on the steering rack.



- (b) Using a spanner, hold the steering rack steadily and using SST, remove the rack end.  
SST 09922-10010

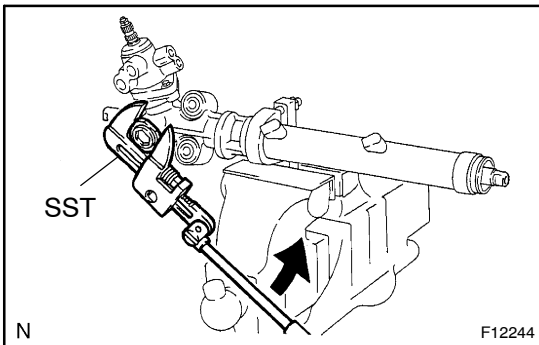
**NOTICE:**

**Use SST 09922-10010 in the direction shown in the illustration.**

**HINT:**

Mark the RH and LH rack ends.

- (c) Remove the claw washer.  
(d) Employ the same manner described above to the other side.

**6. REMOVE RACK GUIDE SPRING CAP LOCK NUT**

Using SST, remove the rack guide spring cap lock nut.

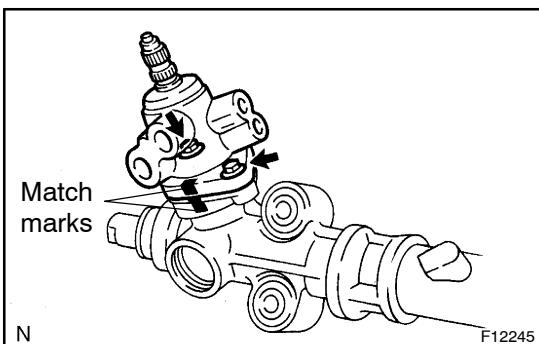
SST 09922-10010

**NOTICE:**

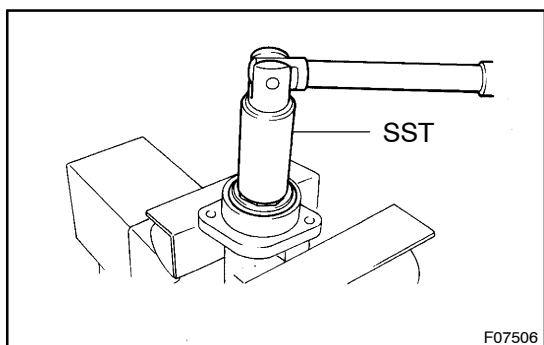
**Use SST 09922-10010 in the direction shown in the illustration.**

**7. REMOVE RACK GUIDE SPRING CAP, CONICAL SPRING, RACK GUIDE SPRING AND RACK GUIDE SUB-ASSEMBLY**

- (a) Using a hexagon wrench (24 mm), remove the rack guide spring cap.  
(b) Remove the conical spring, rack guide spring and rack guide sub-assembly.

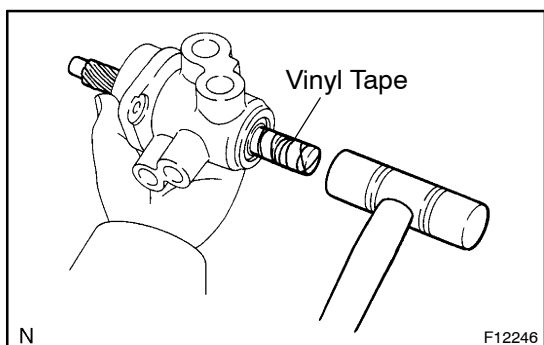
**8. REMOVE DUST COVER****9. REMOVE CONTROL VALVE HOUSING WITH CONTROL VALVE ASSEMBLY**

- (a) Place matchmarks on the control valve housing and rack housing.  
(b) Remove the 2 bolts and pull out the control valve housing with control valve assembly.  
(c) Remove the O-ring from the control valve housing.



### 10. REMOVE BEARING GUIDE NUT AND CONTROL VALVE ASSEMBLY

- (a) Using SST, loosen the bearing guide nut.  
SST 09631-20060

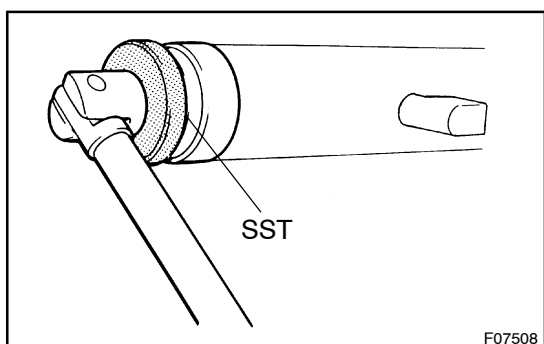


- (b) To prevent oil seal lip damage, wind vinyl tape on the serrated part of the control valve shaft.  
(c) Using a plastic hammer, tap out the control valve assembly with the bearing guide nut from the control valve housing.

#### NOTICE:

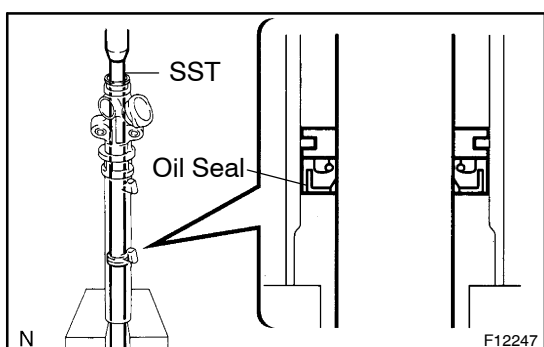
#### Be careful not to damage the oil seal lip

- (d) Remove the bearing guide nut from the control valve assembly.  
(e) Remove the O-ring from the bearing guide nut.



### 11. REMOVE CYLINDER END STOPPER AND SPACER

- (a) Using SST, remove the cylinder end stopper.  
SST 09631-20090  
(b) Remove the O-ring from the cylinder end stopper.  
(c) Remove the spacer.



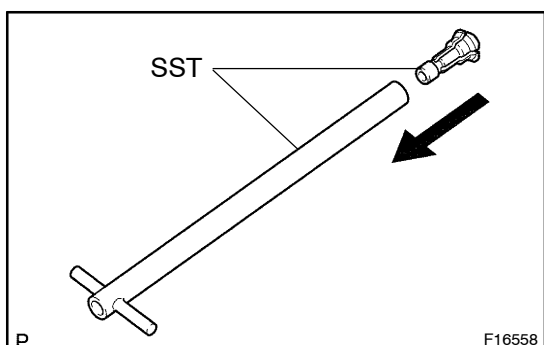
### 12. REMOVE STEERING RACK WITH OIL SEAL

- (a) Using SST, press out the steering rack with the oil seal.  
SST 09950-70010 (09951-07200)

#### NOTICE:

#### Take care not to drop the steering rack.

- (b) Remove the oil seal from the steering rack.

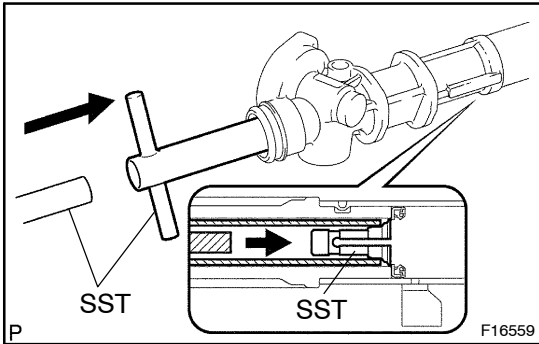


### 13. REMOVE OIL SEAL

- (a) Install SST (09612-07130) on SST (09612-07210).  
SST 09612-70100 (09612-07130, 09612-07210)

#### NOTICE:

- Before using them, apply a small dab of grease to the inside wall of SST (09612-07210, 09612-07130).
- To prevent the inside of the housing from being damaged securely install SST 09612-07130) on SST (09612-07210).

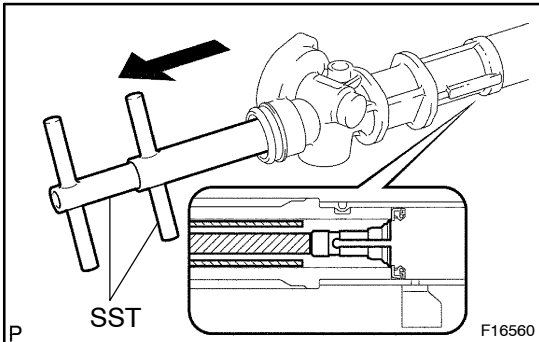


- (b) Diagonally insert SST (09612-07210) into the housing until it contacts with the oil seal, and then further insert the SST (09612-07210) until the tip of SST (09612-07220) contacts with SST (09612-07130).

SST 09612-70100 (09612-07130, 09612-07210, 09612-07220)

**NOTICE:**

**Do not damage the inside of the housing.**

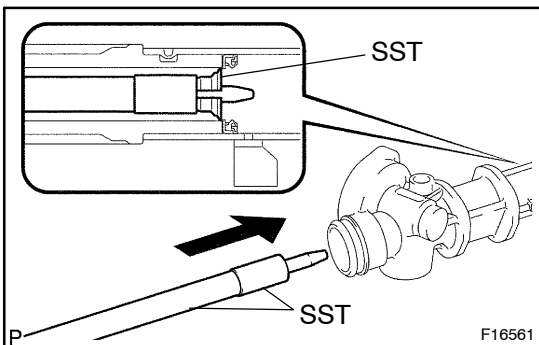


- (c) Secure SST (09612-07220), and pull SST (09612-07210) to place SST (09612-07130) in the housing.

SST 09612-70100 (09612-07130, 09612-07210, 09612-07220)

**HINT:**

Place SST on the chamfering position between the oil seal and rack housing.



- (d) Remove the SST (09612-07210, 09612-07220).

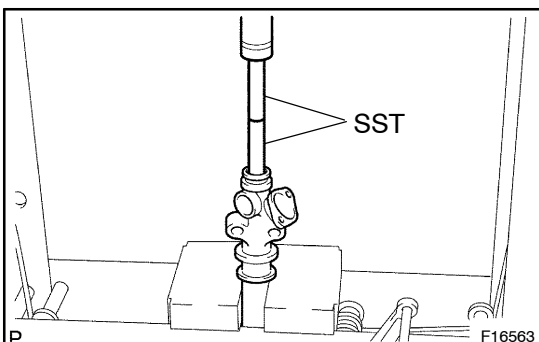
SST 09612-70100 (09612-07210, 09612-07220)

- (e) After installing SST (09612-07240) on SST (09612-07210), insert the tip of SST (09612-07230) in the service hole of SST (09612-07130).

SST 09612-70100 (09612-07130, 09612-07230, 09612-07240)

**NOTICE:**

- Before using them, apply a small dab of grease to the tip of SST (09612-07230).
- To prevent SST (09612-07130) from being damaged, be sure to install SST (09612-07240).
- Do not damage the inside of the rack housing.



- (f) Install SST (09951-07100) on SST (09612-07230) and remove the oil seal using a press.

SST 09612-70100 (09612-07130, 09612-07230, 09612-07240), 09950-70010 (09951-07100)

**NOTICE:**

**Do not damage the rack housing.**

**HINT:**

Replace SST (09951-07100) with SST that is different in length in the set, if necessary.