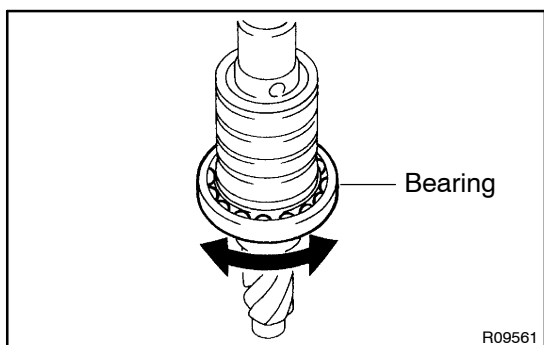


## INSPECTION

### 1. INSPECT STEERING RACK

- (a) Using a dial indicator, check the steering rack for runout and for teeth wear and damage.  
**Maximum runout: 0.15 mm (0.0059 in.)**
- (b) Check the back surface for wear and damage.



### 2. INSPECT BEARING

- (a) Check the bearing rotation condition and check for abnormal noise.

If the bearing is worn or damaged, replace the control valve assembly.

- (b) Coat the bearing with molybdenum disulfide lithium base grease.