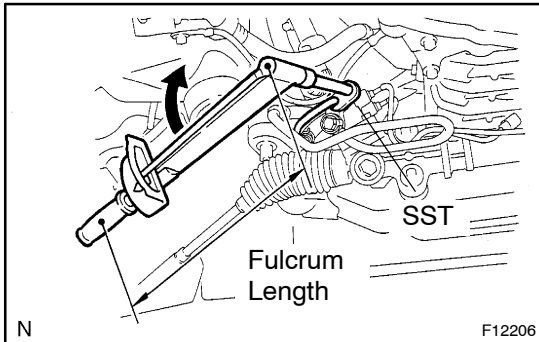


## INSTALLATION

### 1. INSTALL GROMMET, BRACKET AND PS GEAR ASSEMBLY

Install the grommet, bracket and PS gear assembly with the 4 bolts.

**Torque: 74 N·m (750 kgf·cm, 54 ft·lbf)**



### 2. CONNECT RETURN TUBE

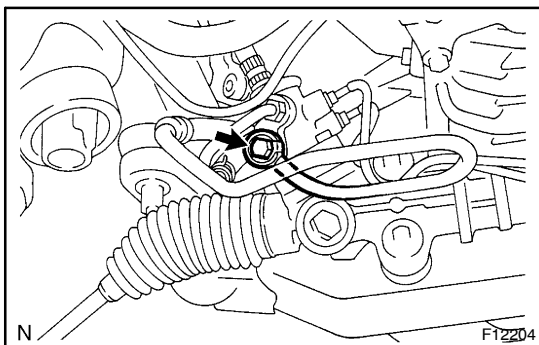
Using SST, connect the return tube.

SST 09023-38400

**Torque: 40 N·m (410 kgf·cm, 30 ft·lbf)**

HINT:

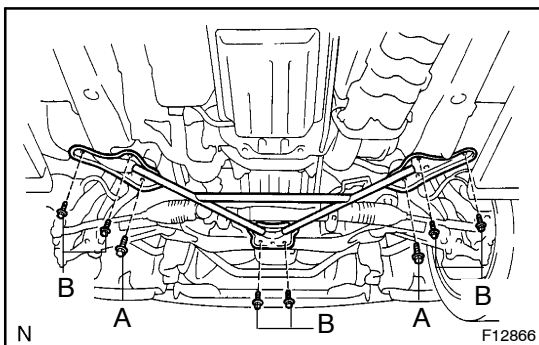
- Use a torque wrench with a fulcrum length of 345 mm (13.58 in).
- This torque value is effective in case that SST is parallel to a torque wrench.



### 3. CONNECT PRESSURE FEED TUBE

Install a new gasket, then connect the pressure feed tube with the union bolt.

**Torque: 42 N·m (430 kgf·cm, 31 ft·lbf)**



### 4. INSTALL FRONT SUSPENSION MEMBER BRACE

Install the front suspension member brace with the 8 bolts.

**Torque:**

**Bolt A: 119 N·m (1,210 kgf·cm, 88 ft·lbf)**

**Bolt B: 58 N·m (590 kgf·cm, 43 ft·lbf)**

### 5. CONNECT SLIDING YOKE

(See page SR-10)

### 6. INSTALL NO. 2 ENGINE UNDER COVER

### 7. CONNECT RH AND LH TIE ROD ENDS (See Pub.No.RM684E on page SA-34)

### 8. INSTALL RH AND LH FRONT BRAKE CALIPERS (See Pub.No.RM684E on page BR-30)

### 9. PLACE FRONT WHEELS FACING STRAIGHT AHEAD

HINT:

Do it with the front of the vehicle jacked up.

### 10. CENTER SPIRAL CABLE

(See page SR-10)

**11. INSTALL STEERING WHEEL**

- (a) Align the matchmarks on the steering wheel and steering column main shaft.
- (b) Temporarily tighten the steering wheel set nut.
- (c) Connect the connector.

**12. BLEED POWER STEERING SYSTEM**

(See page SR-2)

**13. CHECK STEERING WHEEL CENTER POINT****14. TORQUE STEERING WHEEL SET NUT**

Torque: 50 N·m (510 kgf·cm, 37 ft·lbf)

**15. INSTALL STEERING WHEEL PAD**

(See page SR-10)

**16. CHECK FRONT WHEEL ALIGNMENT**

(See page SA-4)