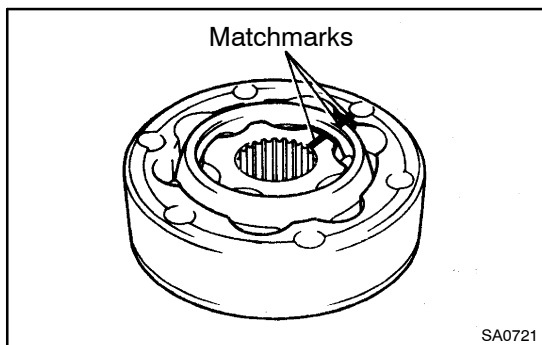


REASSEMBLY

1. ASSEMBLE INBOARD JOINT

If the joint has come apart, reassemble it in the following order.

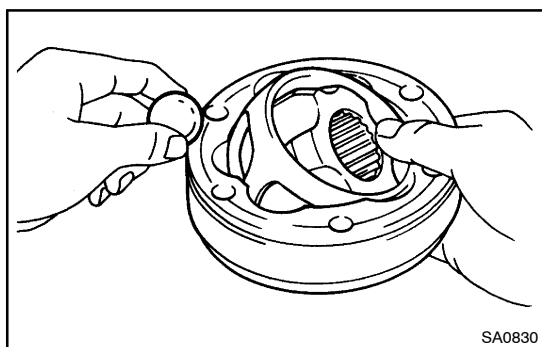
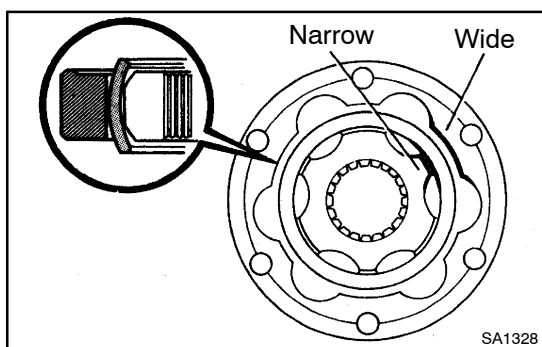


(a) Align the matchmarks placed before removal.

HINT:

When the matchmarks have disappeared, do the following procedure.

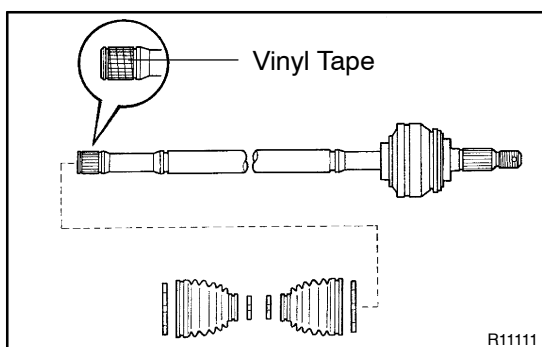
- (1) Install the inner race to the cage so that the indented bevelled part of the inner race is on the opposite side to the bevelled top of the cage.
- (2) Install the outer race so that the indented side of the outer race is facing the same side as the bevelled surface of the cage.
- (3) Match the narrow projections of the inner race with the wide projections of the outer race.



(b) Tilt the cage and inner race to the side and insert the balls one by one.

NOTICE:

When the cage and inner race are tilted over, support the joint with your hand to prevent the balls from falling out.



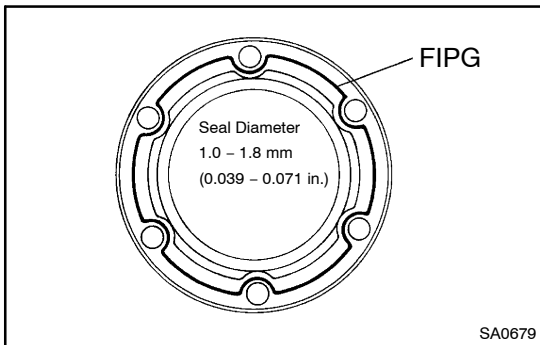
2. TEMPORARILY INSTALL NEW BOOTS AND NEW BOOT CLAMPS

(a) Place 4 new boot clamps to each boots.

HINT:

Before installing the boots, wrap vinyl tape around the spline of the shaft to prevent damaging the boots.

(b) Install the 2 boots to the drive shaft.



3. INSTALL INBOARD JOINT COVER

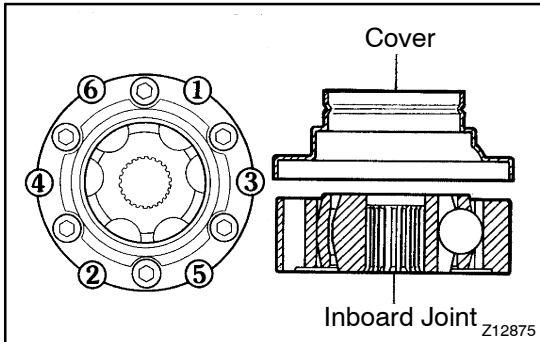
- (a) Apply FIPG to the inboard joint cover as shown in the illustration.

FIPG:

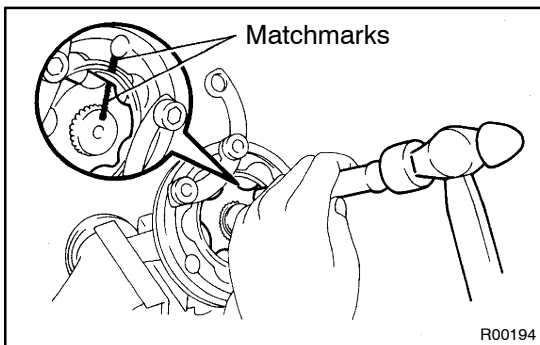
Part No.08826-00801, THREE BOND 1121 or equivalent

HINT:

Avoid applying an excessive amount to the surface.



- (b) Remove grease from the surface of the inboard joint facing the cover.
- (c) Align the bolt holes of the cover with those of the inboard joint, then insert the hexagon bolts.
- (d) Use a plastic-faced hammer to tap the rim of the inboard joint cover into place. Do this in the order shown, and repeat several times.



4. INSTALL INBOARD JOINT

- (a) Align the matchmarks placed before removal.
- (b) Using a brass bar and hammer, tap the inboard joint onto the drive shaft.

NOTICE:

Check that the brass bar is touching the inner race, and not the cage.

- (c) Using a snap ring expander, install a new snap ring.

5. ASSEMBLE BOOTS TO JOINTS

Before assembling the boots, pack with only the same amount of grease that was wiped off.

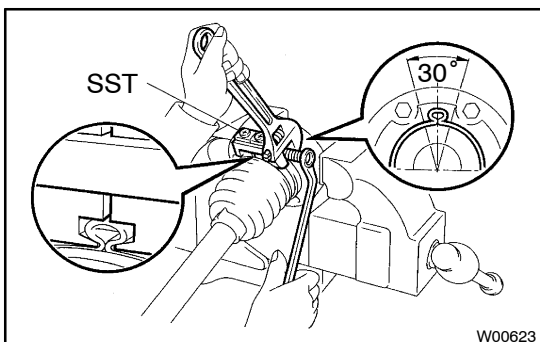
Grease capacity	100 - 105 g (3.5 - 3.7 oz.)
-----------------	-----------------------------

HINT:

Use the grease supplied in the boot kit.

NOTICE:

- **Keep grease off the joint connection groove of the boot.**
- **Pack with grease all over the ball contact surface inside the joint.**



6. INSTALL NEW BOOT CLAMPS TO BOTH BOOTS

- (a) Position the clamp onto the boot.

HINT:

Pinch the inboard side of the boot clamp, as shown in the illustration.

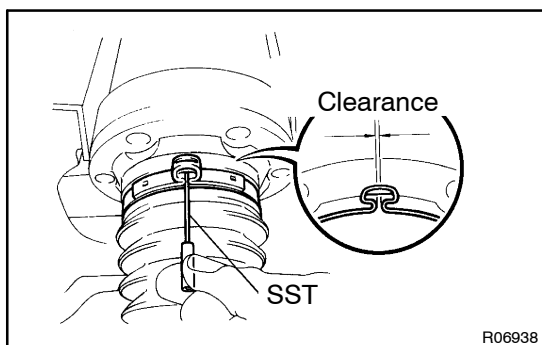
- (b) Place SST onto the clamp.

SST 09521-24010

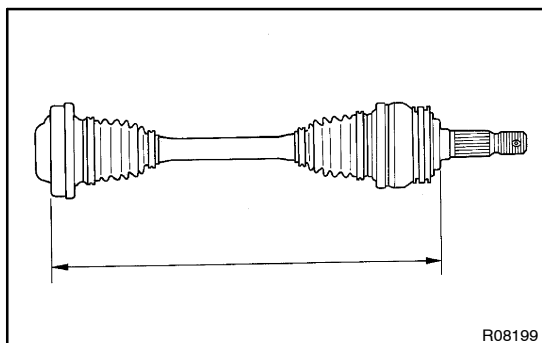
- (c) Tighten SST so that the clamp is pinched.

NOTICE:

Do not overtighten the SST.



- (d) Using SST, adjust the clearance of the clamp.
SST 09240-00020 (09242-00080)
Clearance: 0.8 mm (0.031 in.) or less



- (e) The drive shaft is designed to move ± 20 mm (0.79 in.) from the normal position.

Drive shaft standard length:

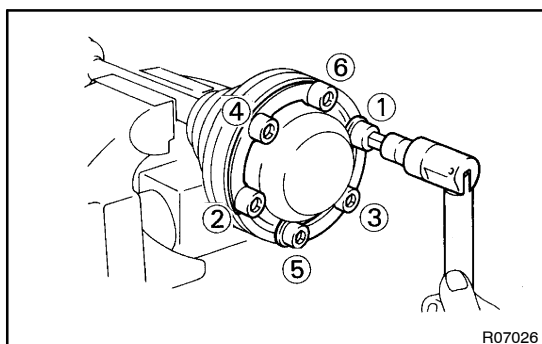
RH	623.5 mm (24.547 in.)
LH	577.5 mm (22.736 in.)

7. INSTALL NEW END COVER

- (a) Pack grease into the end cover.

Grease capacity	50 – 55 g (1.8 – 1.9 oz.)
-----------------	---------------------------

- (b) Remove grease from the surface of the inboard joint facing the cover.
(c) Glue on a new gasket, with the glued side facing toward the outer race side of the inboard joint.
(d) Align the bolt holes of the cover with those of the inboard joint.



- (e) Install the 6 hexagon bolts and washers from the end cover side.
(f) Install the 6 nuts to the boot side.
(g) Using a 10 mm hexagon wrench, tighten the bolts. Do this in the order shown, and repeat several times.
(h) Check that the claw of the end cover touches the inboard joint.

8. CHECK DRIVE SHAFT (See page SA-59)