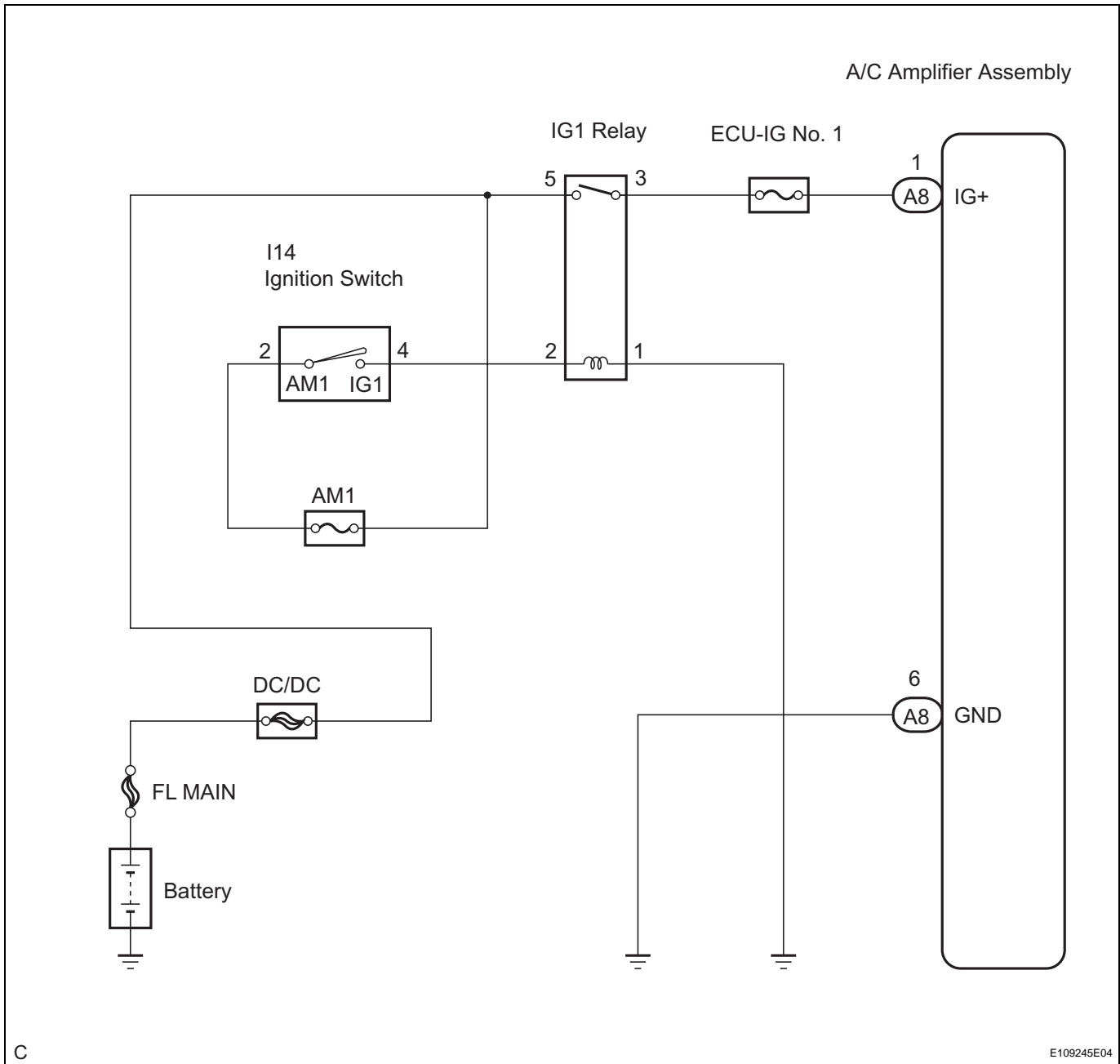


## IG Power Source Circuit

### DESCRIPTION

This is the main power source supplied to the A/C amplifier assembly when the ignition switch is turned to the ON position. The power source is used for operating the A/C amplifier assembly and servomotor, etc.

### WIRING DIAGRAM



1

INSPECT ECU-IG NO.1 FUSE

(a) Remove the ECU-IG No. 1 fuse from the instrument panel J/B.

- (b) Measure the resistance according to the value(s) in the table below.

**Standard resistance**

Tester item	Condition	Specified condition
ECU-IG No. 1 fuse	Always	Below 1 Ω

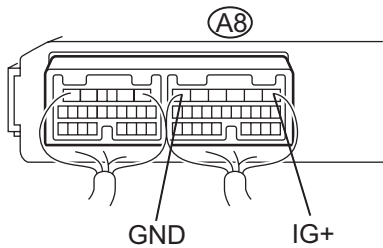
**NG** → **REPLACE ECU-IG NO.1 FUSE**

**OK**

**2 INSPECT AIR CONDITIONING AMPLIFIER ASSEMBLY**

**AC**

**A/C Amplifier Assembly  
Connector Wire Harness View:**



- (a) Remove the A/C amplifier assembly with the connectors still connected.
- (b) Measure the voltage according to the value(s) in the table below.

**Standard voltage**

Tester connection (Symbols)	Condition	Specified condition
A8-1 (IG+) - A8-6 (GND)	Ignition switch ON	10 to 14 V

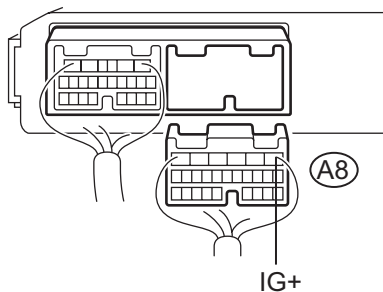
**NG** → **Go to step 3**

**OK**

**PROCEED TO NEXT CIRCUIT INSPECTION SHOWN IN PROBLEM SYMPTOMS TABLE**

**3 CHECK HARNESS AND CONNECTOR (A/C AMPLIFIER ASSEMBLY - BODY GROUND)**

**A/C Amplifier Assembly  
Connector Wire Harness View:**



- (a) Disconnect the connector from the A/C amplifier assembly.
- (b) Measure the voltage according to the value(s) in the table below.

**Standard voltage**

Tester connection (Symbols)	Condition	Specified condition
A8-1 (IG+) - Body ground	Ignition switch ON	10 to 14 V

**NG** → **REPAIR OR REPLACE HARNESS OR CONNECTOR**

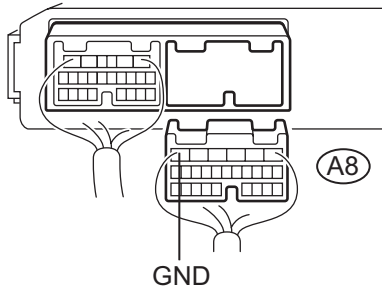
H

E109218E09

OK

**4 CHECK HARNESS AND CONNECTOR (A/C AMPLIFIER ASSEMBLY - BODY GROUND)**

A/C Amplifier Assembly  
Connector Wire Harness View:



(a) Measure the resistance according to the value(s) in the table below.

**Standard resistance**

Tester connection (Symbols)	Condition	Specified condition
A8-6 (GND) - Body ground	Always	Below 1 Ω

NG

**REPAIR OR REPLACE HARNESS OR CONNECTOR**

OK

**REPLACE AIR CONDITIONING AMPLIFIER ASSEMBLY**

AC