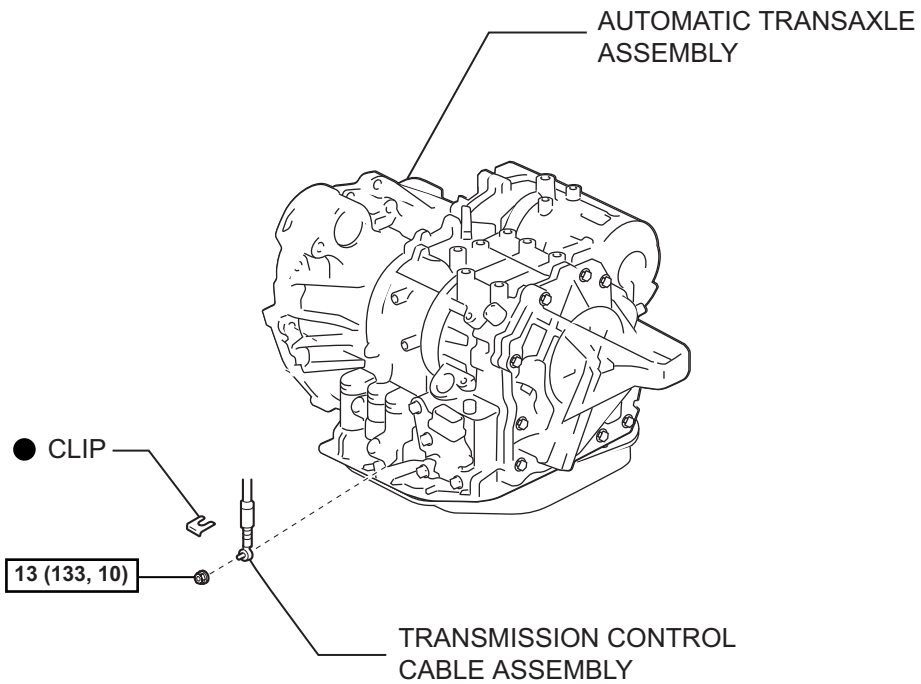


# TRANSMISSION CONTROL CABLE ASSEMBLY

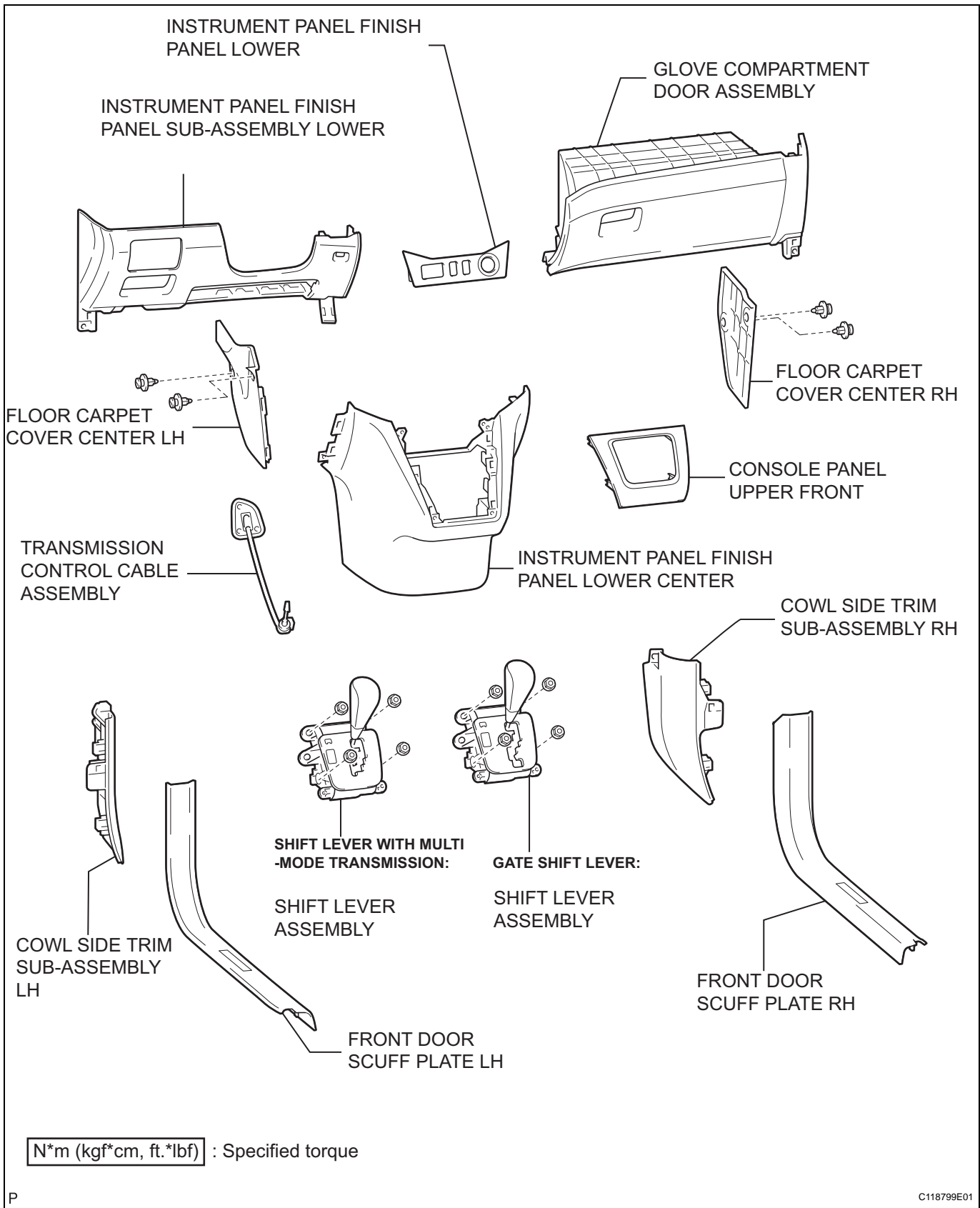
## COMPONENTS



● Non-reusable part

**13 (133, 10)** : Specified torque

AX



AX

N\*m (kgf\*cm, ft.\*lbf) : Specified torque