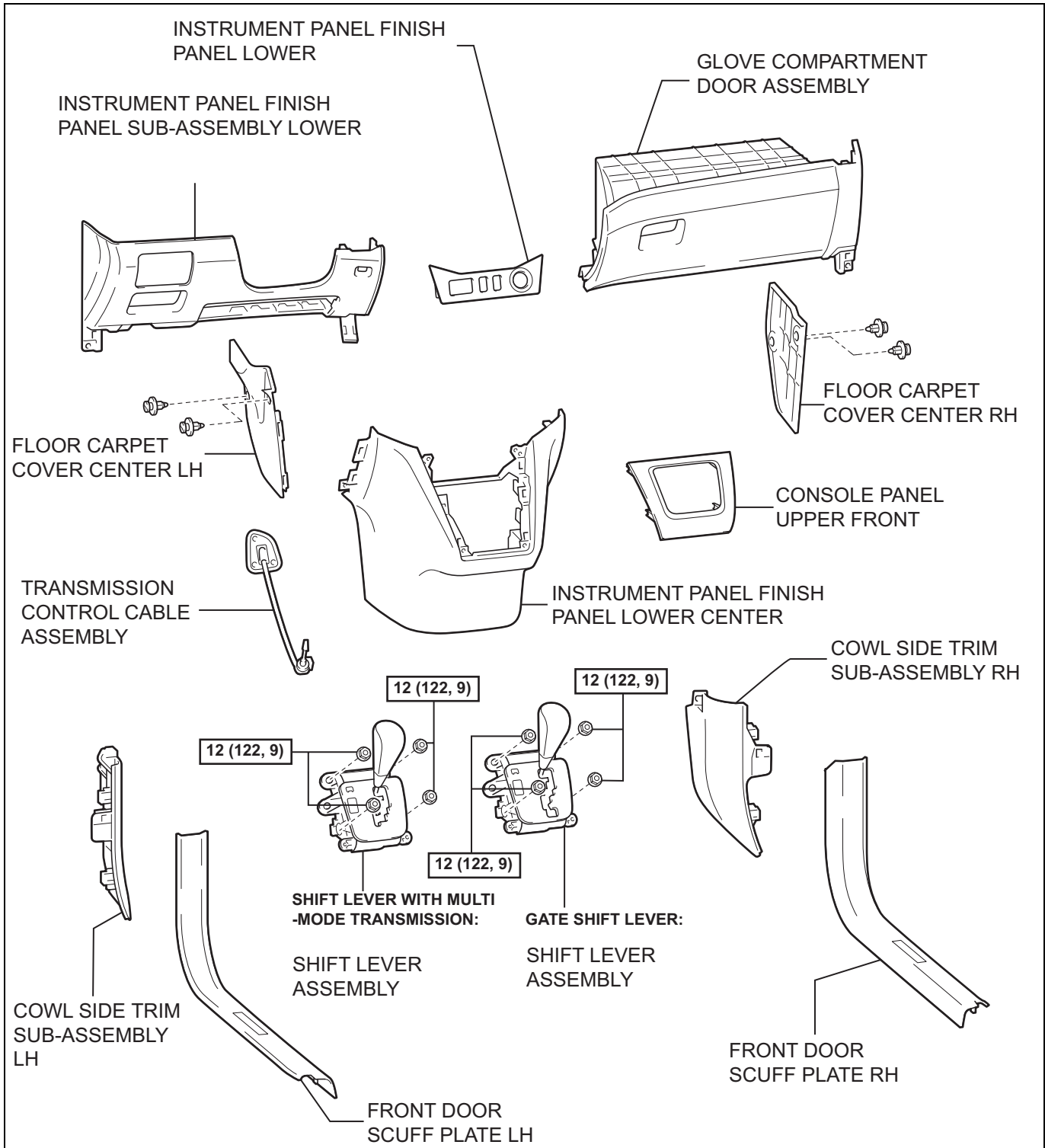


SHIFT LEVER

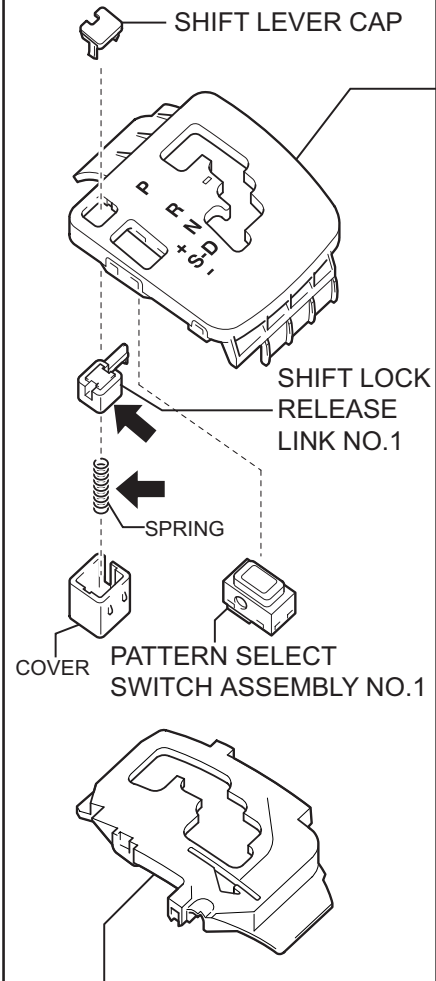
COMPONENTS



N*m (kgf*cm, ft.*lbf) : Specified torque

AX

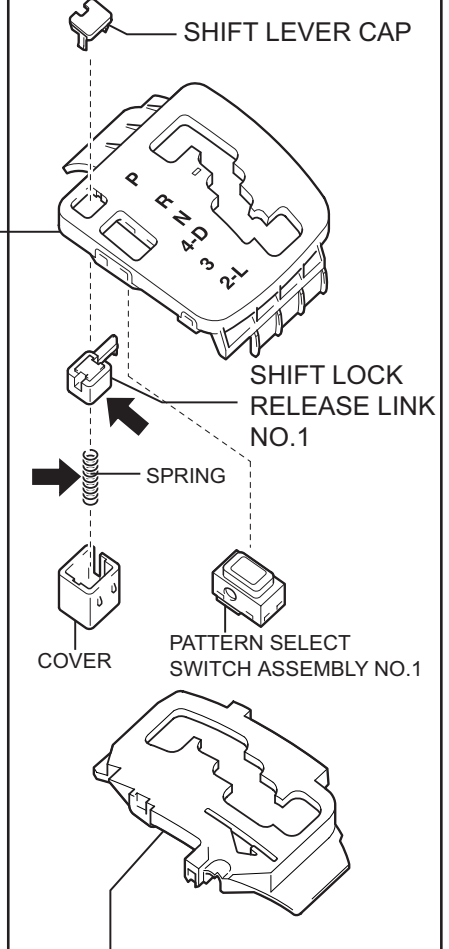
SHIFT LEVER WITH MULTI-MODE AUTOMATIC TRANSMISSION:



POSITION INDICATOR LIGHT GUIDE

POSITION INDICATOR SLIDE COVER NO.2

GATE SHIFT LEVER:



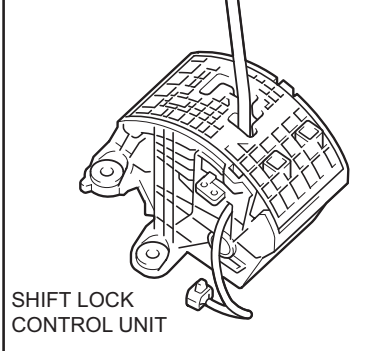
POSITION INDICATOR LIGHT GUIDE

POSITION INDICATOR HOUSING LOWER

SHIFT LEVER KNOB SUB-ASSEMBLY

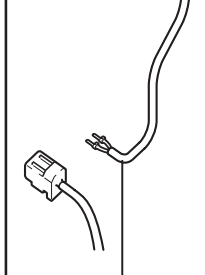
POSITION INDICATOR SLIDE COVER

SHIFT LEVER WITH MULTI-MODE AUTOMATIC TRANSMISSION:



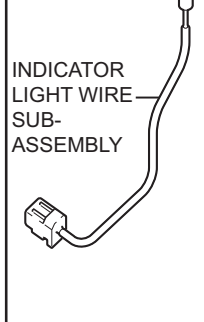
← Apply MP grease

SHIFT LEVER WITH MULTI-MODE AUTOMATIC TRANSMISSION:



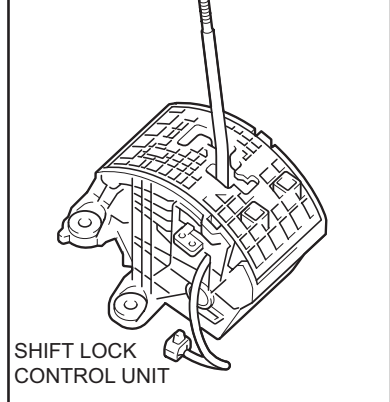
INDICATOR LIGHT WIRE SUB-ASSEMBLY

GATE SHIFT LEVER:



INDICATOR LIGHT WIRE SUB-ASSEMBLY

GATE SHIFT LEVER:



SHIFT LOCK CONTROL UNIT

AX