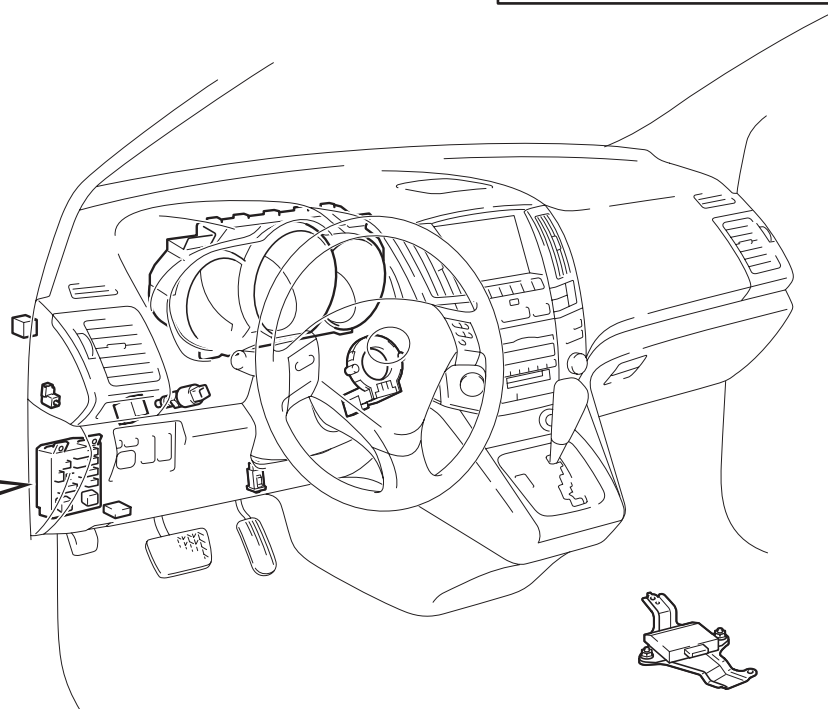
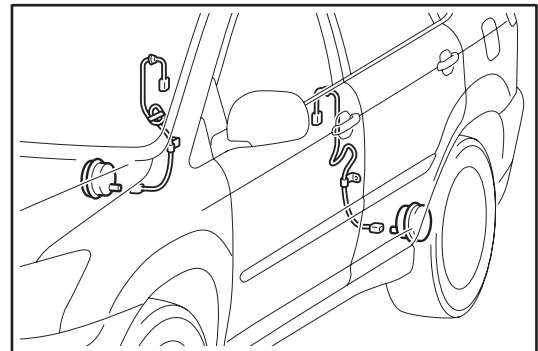
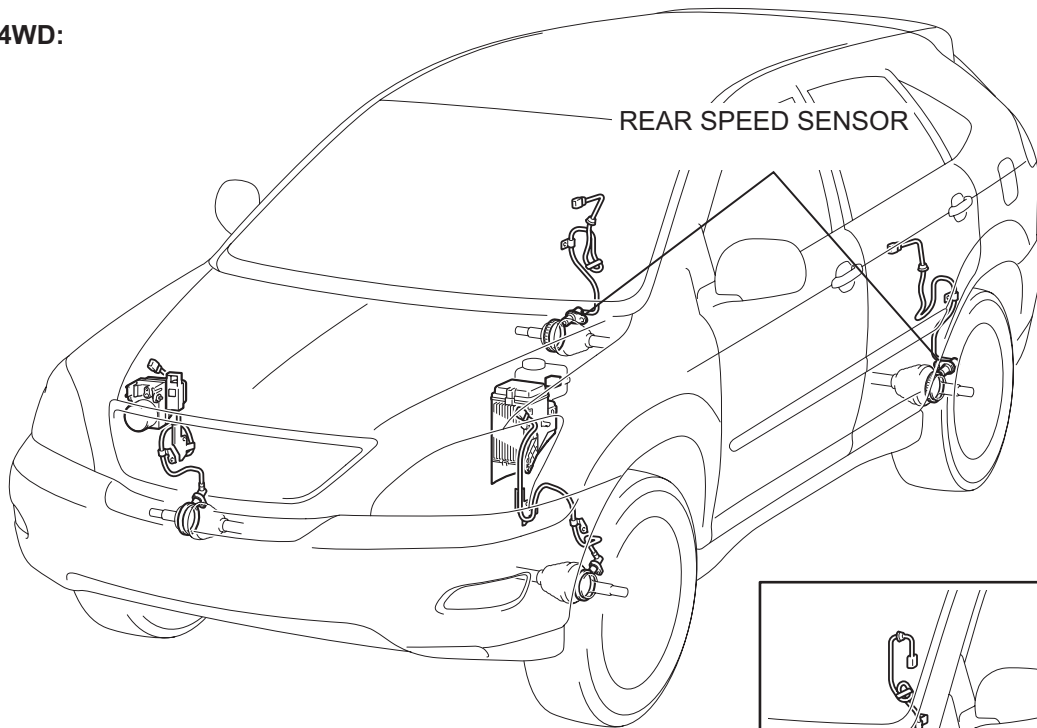


# REAR SPEED SENSOR (for 4WD)

## COMPONENTS

4WD:



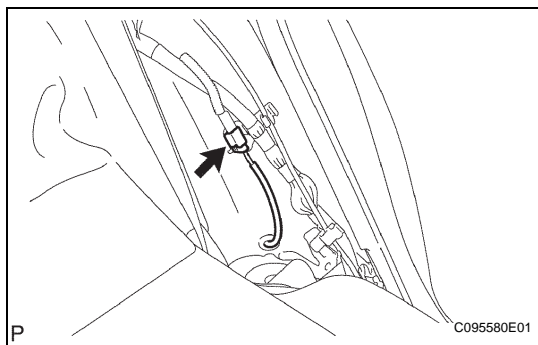
## REMOVAL

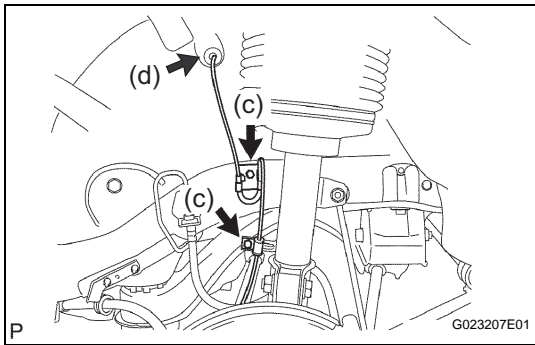
### HINT:

Replace the RH side by using the same procedures as those for the LH side.

1. REMOVE REAR DOOR SCUFF PLATE LH  
HINT:  
See page [SE-50](#)
2. REMOVE REAR DOOR OPENING TRIM WEATHERSTRIP LH
3. REMOVE DECK BOARD SUB-ASSEMBLY (See page [IR-7](#))
4. REMOVE REAR SEAT ASSEMBLY LH  
HINT:  
See page [IR-7](#)
5. REMOVE TONNEAU COVER ASSEMBLY
6. REMOVE DECK FLOOR BOX FRONT (See page [IR-8](#))
7. REMOVE DECK FLOOR BOX REAR (See page [IR-8](#))
8. REMOVE DECK BOARD SUB-ASSEMBLY NO.2 (See page [IR-8](#))
9. REMOVE DECK BOARD SUB-ASSEMBLY NO.3 (See page [IR-8](#))
10. REMOVE BACK DOOR WEATHERSTRIP
11. REMOVE DECK SIDE TRIM BOX LH (See page [IR-8](#))
12. REMOVE REAR FLOOR FINISH PLATE (See page [IR-8](#))
13. REMOVE REAR FLOOR FINISH SIDE PLATE LH (See page [IR-8](#))
14. REMOVE DECK SIDE TRIM COVER LH (See page [IR-8](#))
15. REMOVE REAR SEAT SIDE COVER LH (See page [IR-9](#))
16. REMOVE ROPE HOOK (See page [IR-9](#))
17. REMOVE DECK TRIM SIDE PANEL ASSEMBLY LH (See page [IR-9](#))
18. REMOVE REAR WHEEL
19. REMOVE SPEED SENSOR REAR LH
  - (a) Disconnect the speed sensor connector.

**NOTICE:**  
Be careful not to damage the wire harness.



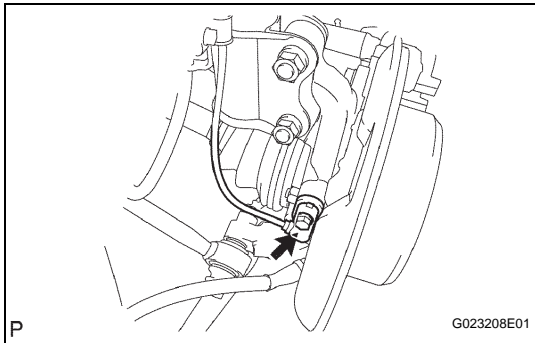


- (b) Pull out the sensor wire harness with the with grommet.

**NOTICE:**

**Do not pull sensor wire.**

- (c) Remove the 2 bolts holding the sensor harness from the body and the shock absorber assembly.



- (d) Remove the bolt and the speed sensor rear.

**NOTICE:**

**Prevent foreign matter from attaching to the sensor tip.**