

# INSPECTION

## 1. INSPECT REAR SPEED SENSOR

- (a) Remove the seat cushion and seatback .
- (b) Disconnect the speed sensor connector S25 or S26.
- (c) Measure the resistance according to the value(s) in the table below.

**Resistance:**

**LH**

Tester Connection	Specified Condition
S25-1 (RL+) - S25-2 (RL-)	0.9 to 1.3 Ω

**RH**

Tester Connection	Specified Condition
S26-1 (RR+) - S26-2 (RR-)	0.9 to 1.3 Ω

- (d) Measure the resistance according to the value(s) in the table below.

**Resistance:**

**LH**

Tester Connection	Specified Condition
S25-1 (RL+) - Body ground	1 MΩ or higher
S25-2 (RL-) - Body ground	

**RH**

Tester Connection	Specified Condition
S26-1 (RR+) - Body ground	1 MΩ or higher
S26-2 (RR-) - Body ground	

**NOTICE:**

Check the speed sensor signal after the replacement. (See page [BC-16](#))

# INSTALLATION

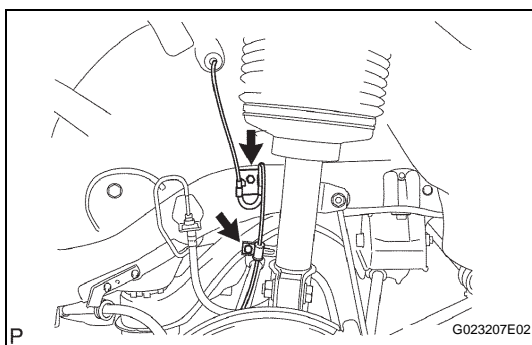
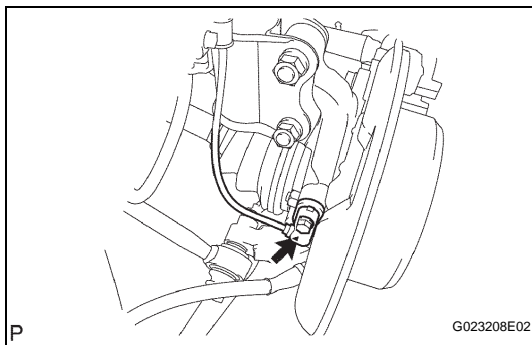
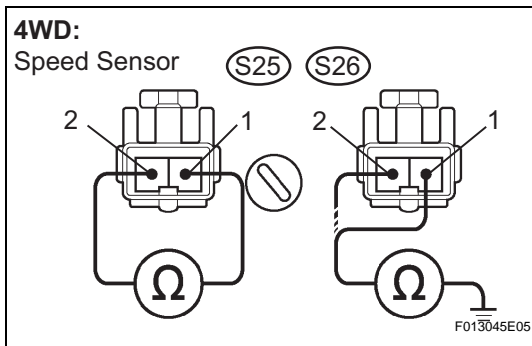
## 1. INSTALL SPEED SENSOR REAR LH

- (a) Install the speed sensor rear with the bolt.

**Torque: 8.0 N\*m (82 kgf\*cm, 71 in.\*lbf)**

**NOTICE:**

Prevent foreign matter from attaching to the sensor tip.

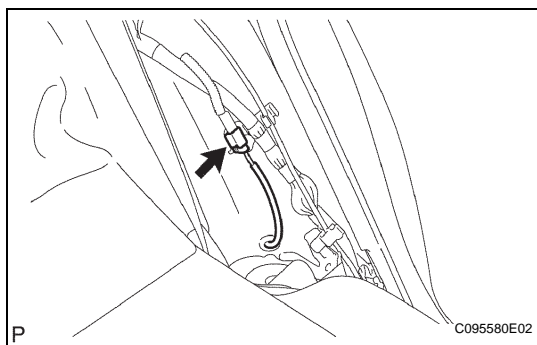


- (b) Install the sensor harness clamps with the 2 bolts to the body and the shock absorber assembly.

**Torque: 5.0 N\*m (51 kgf\*cm, 44 in.\*lbf)**

**NOTICE:**

Do not twist the sensor wire when installing the sensor.



(c) Push in the sensor wire harness with grommet.

**NOTICE:**

**When grommet is set to body, pull the grommet do not pull sensor wire.**

(d) Connect the speed sensor connector.

**2. INSTALL REAR WHEEL**

**Torque: 103 N\*m (1,050 kgf\*cm, 76 ft.\*lbf)**

**3. INSTALL DECK TRIM SIDE PANEL ASSEMBLY LH**

**4. INSTALL ROPE HOOK**

**5. INSTALL REAR SEAT SIDE COVER LH**

**6. INSTALL DECK SIDE TRIM COVER LH**

**7. INSTALL REAR FLOOR FINISH SIDE PLATE LH**

**8. INSTALL REAR FLOOR FINISH PLATE**

**9. INSTALL DECK SIDE TRIM BOX LH**

**10. INSTALL BACK DOOR WEATHERSTRIP**

**11. INSTALL DECK BOARD SUB-ASSEMBLY NO.3**

**12. INSTALL DECK BOARD SUB-ASSEMBLY NO.2**

**13. INSTALL DECK FLOOR BOX REAR**

**14. INSTALL DECK FLOOR BOX FRONT**

**15. INSTALL TONNEAU COVER ASSEMBLY**

**16. INSTALL REAR SEAT ASSEMBLY LH**

HINT:

See page [SE-55](#)

**17. INSTALL DECK BOARD SUB-ASSEMBLY**

**18. INSTALL REAR DOOR OPENING TRIM WEATHERSTRIP LH**

**19. INSTALL REAR DOOR SCUFF PLATE LH**

**20. CHECK ABS SPEED SENSOR SIGNAL**

HINT:

See page [BC-21](#)