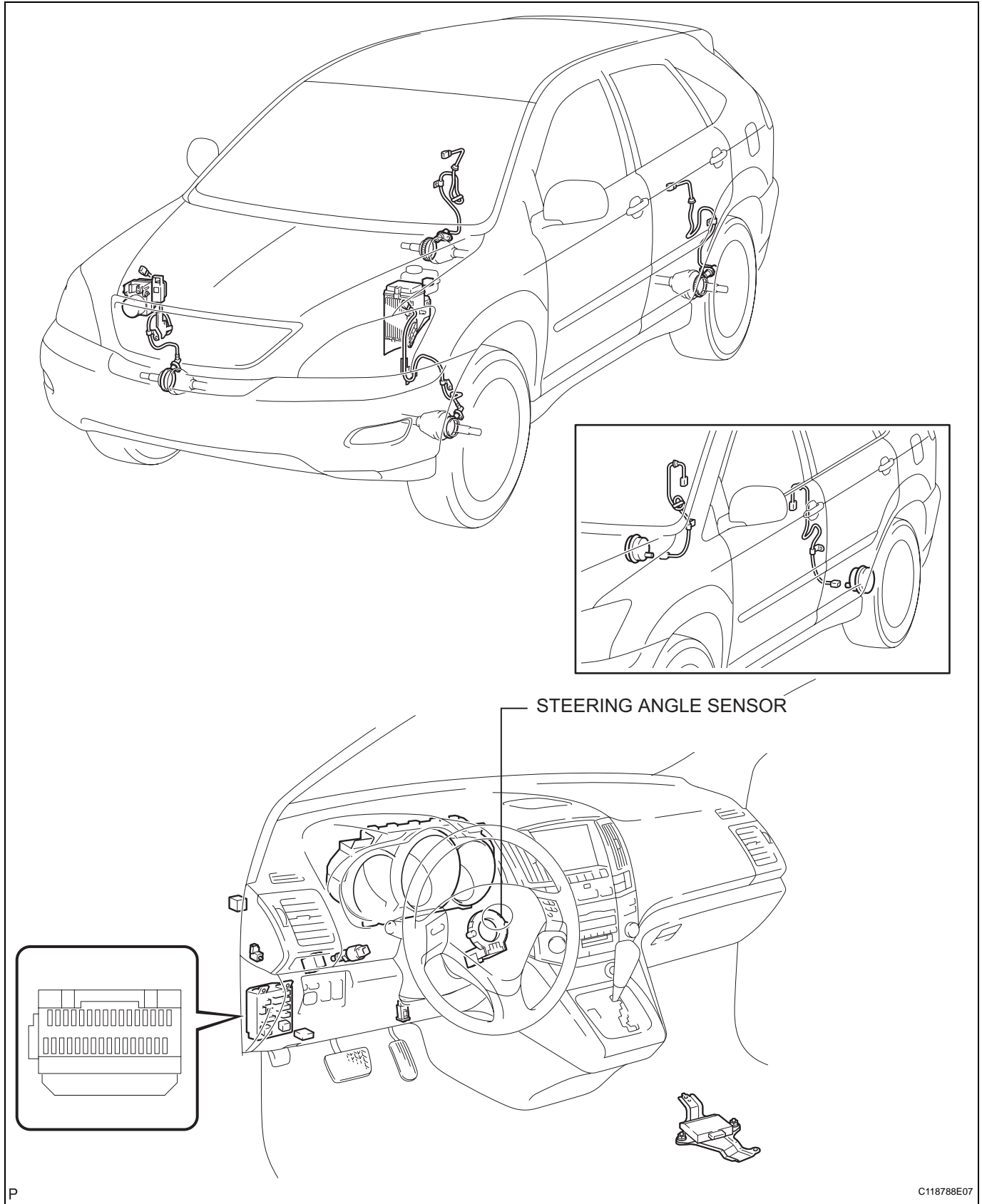


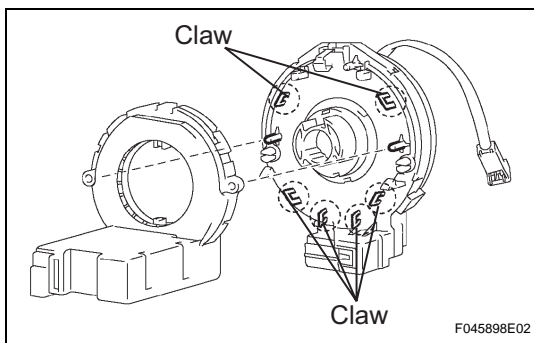
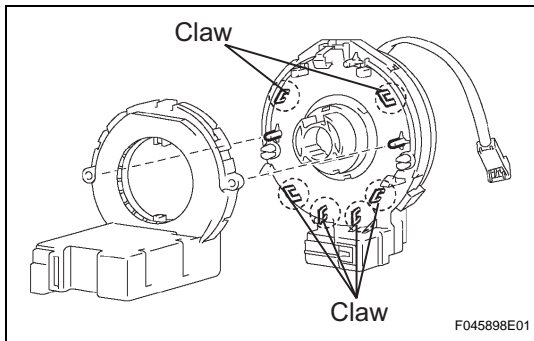
STEERING ANGLE SENSOR

COMPONENTS



REMOVAL

1. **PRECAUTION**
HINT:
See page [RS-1](#)
2. **SEPARATE BATTERY NEGATIVE TERMINAL**
HINT:
See page [RS-1](#)
3. **PLACE FRONT WHEELS FACING STRAIGHT AHEAD**
4. **REMOVE STEERING PAD ASSEMBLY** (See page [RS-388](#))
5. **REMOVE STEERING WHEEL ASSEMBLY** (for Manual Tilt) (See page [SR-40](#))
6. **REMOVE STEERING WHEEL ASSEMBLY** (for Power Tilt and Power Telescopic) (See page [SR-50](#))
7. **REMOVE STEERING COLUMN COVER** (for Manual Tilt) (See page [SR-40](#))
8. **REMOVE STEERING COLUMN COVER** (for Power Tilt and Power Telescopic) (See page [SR-51](#))
9. **REMOVE SPIRAL CABLE** (See page [RS-399](#))
10. **REMOVE STEERING SENSOR**
(a) Release 6 claw fittings and remove the steering sensor from the spiral cable.



INSTALLATION

1. **INSTALL STEERING SENSOR**
(a) Install the steering sensor to the spiral cable.
NOTICE:
 - Install the claw securely.
 - Do not damage the claw.
2. **ADJUST CENTER FRONT WHEEL**
3. **INSTALL SPIRAL CABLE** (See page [RS-399](#))
4. **ADJUST SPIRAL CABLE**
5. **INSTALL STEERING WHEEL ASSEMBLY** (for Manual Tilt) (See page [SR-45](#))
6. **INSTALL STEERING WHEEL ASSEMBLY** (for Power Tilt and Power Telescopic) (See page [SR-57](#))
7. **INSTALL STEERING PAD ASSEMBLY** (See page [RS-388](#))
8. **INSPECT STEERING WHEEL CENTER POINT**

9. **INSPECT STEERING PAD ASSEMBLY**
10. **INSPECT SRS WARNING LIGHT**
HINT:
See page [RS-25](#)
11. **INSPECT ABS WARNING LIGHT AND VSC WARNING LIGHT**
HINT:
See page [BC-21](#)