

INSPECTION

1. INSPECT AND ADJUST BRAKE BOOSTER PUSH ROD

NOTICE:

Make an adjustment with the brake booster assembly having no vacuum. (Depress the brake pedal several times with the engine stopped.)

HINT:

Adjustment of the brake booster push rod is performed when the brake master cylinder sub-assembly is replaced with a new one. The adjustment is not necessary when the brake master cylinder sub-assembly is reinstalled and the brake booster assembly is replaced with a new one.

- (a) Apply the chalk to the tip of an accessory tool.

HINT:

An accessory tool is enclosed with new brake master cylinder sub-assembly.

- (b) Place the accessory tool to the brake booster assembly.

- (c) Measure the clearance between the brake booster push rod and accessory tool.

Clearance:

0 mm (0 in.)

HINT:

Adjust the clearance in following cases:

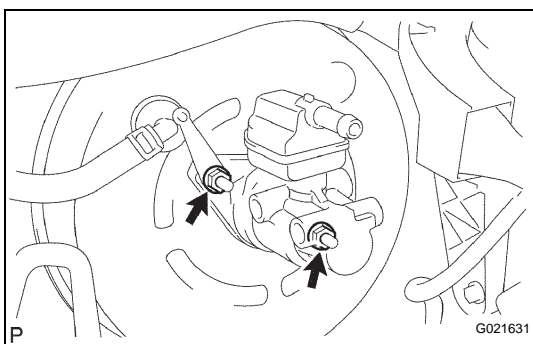
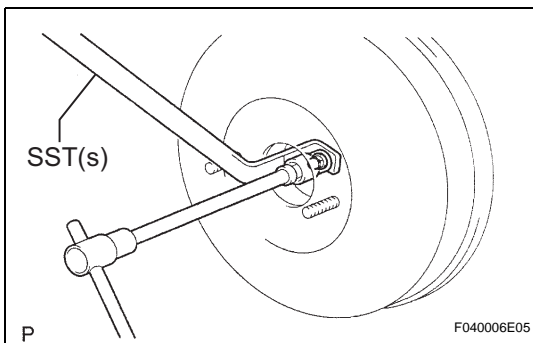
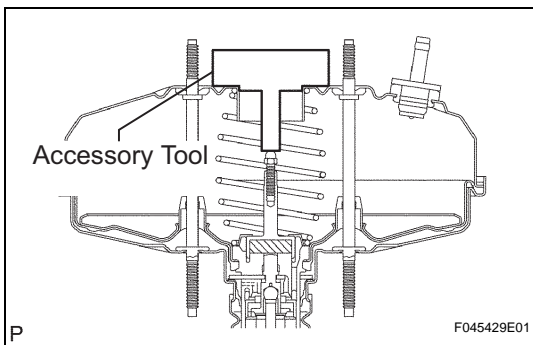
- If there is a clearance between the accessory tool and the shell of the brake booster (floating accessory tool), the clearance is too small.
- If the chalk does not stick on the tip of the brake booster push rod, the clearance is large.

- (d) If clearance is outside of the specified range, fix the push rod using SST(s) and adjust the length of the protruding adjusting bolt.

SST 09737-00020

HINT:

When adjusting the push rod, depress the brake pedal sufficiently so that the push rod sticks out.

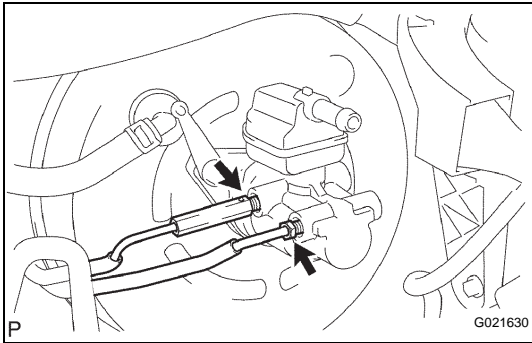


INSTALLATION

1. INSTALL BRAKE MASTER CYLINDER SUB-ASSEMBLY

- (a) Install the brake master w/ plate cylinder sub-assembly and the check valve bracket with the 2 nuts.

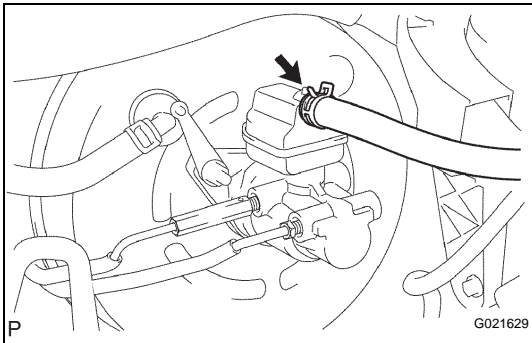
Torque: 13 N*m (127 kgf*cm, 9 ft.*lbf)



- (b) Using SST(s), connect the 2 brake tubes to the brake master w/ plate cylinder assembly.

SST 09023-00101

Torque: 15 N*m (155 kgf*cm, 11 ft.*lbf)



- (c) Slide the clip and connect the reservoir tube.

2. **INSTALL AIR CLEANER HOSE NO.1**
3. **INSTALL AIR CLEANER ASSEMBLY**
4. **INSTALL V-BANK COVER SUB-ASSEMBLY (See page [EM-127](#))**
5. **FILL RESERVOIR WITH BRAKE FLUID**
6. **BLEED MASTER CYLINDER**
HINT:
See page [BR-3](#).
SST 09023-00101
7. **BLEED BRAKE LINE**
HINT:
See page [BR-3](#).
8. **CHECK FLUID LEVEL IN RESERVOIR**
HINT:
See page [BR-3](#).
9. **CHECK BRAKE FLUID LEAKAGE**