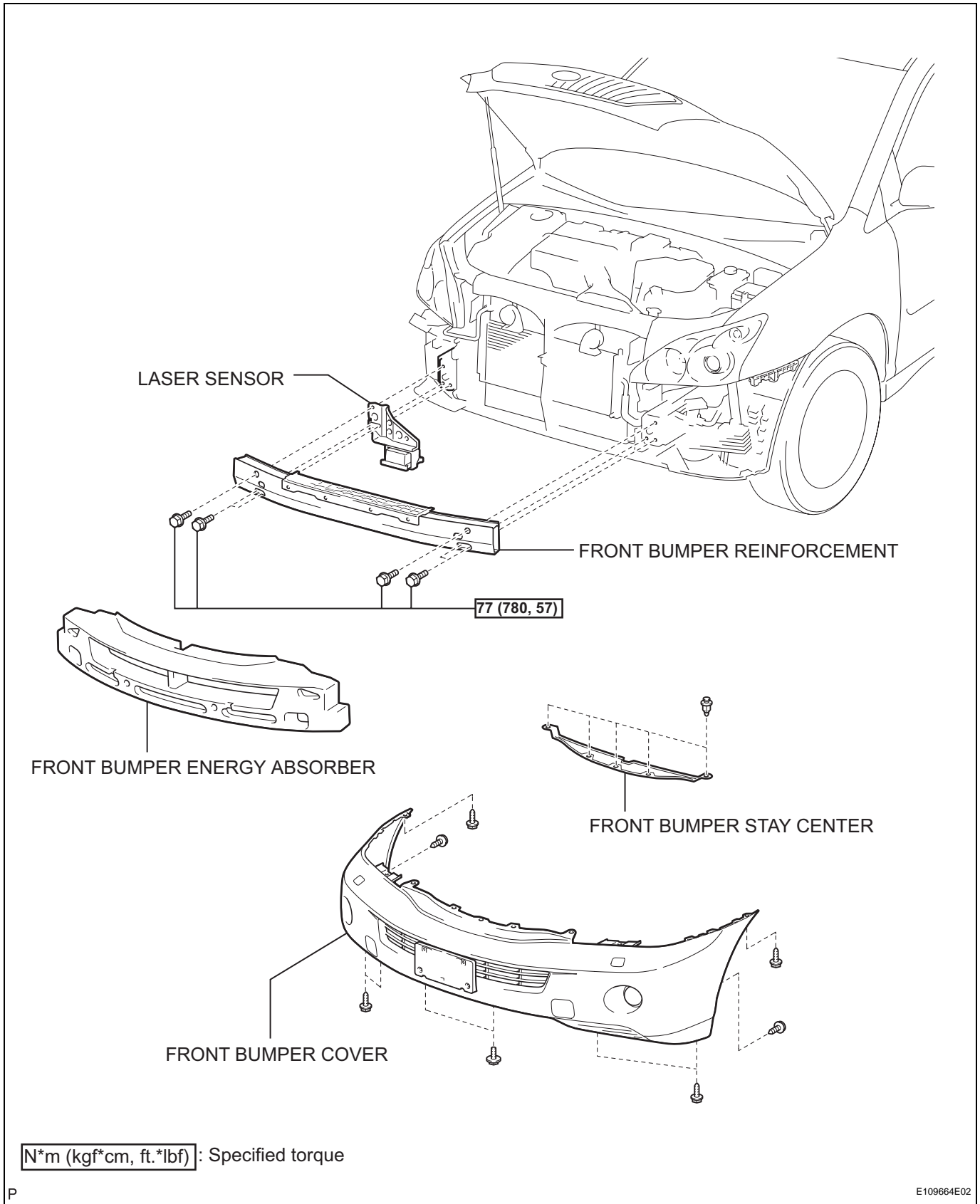


# LASER SENSOR COMPONENTS



## REMOVAL

1. REMOVE ENGINE UNDER COVER NO.1
2. REMOVE FRONT FENDER SPLASH SHIELD SUB-ASSEMBLY RH
3. REMOVE FRONT FENDER SPLASH SHIELD SUB-ASSEMBLY LH
4. REMOVE FRONT BUMPER COVER (See page [ET-2](#))
5. REMOVE FRONT BUMPER ENERGY ABSORBER  
HINT:  
[ET-2](#)
6. REMOVE FRONT BUMPER REINFORCEMENT  
HINT:  
[ET-2](#)
7. REMOVE LASER SENSOR
  - (a) Disconnect the connector and remove the laser sensor.

