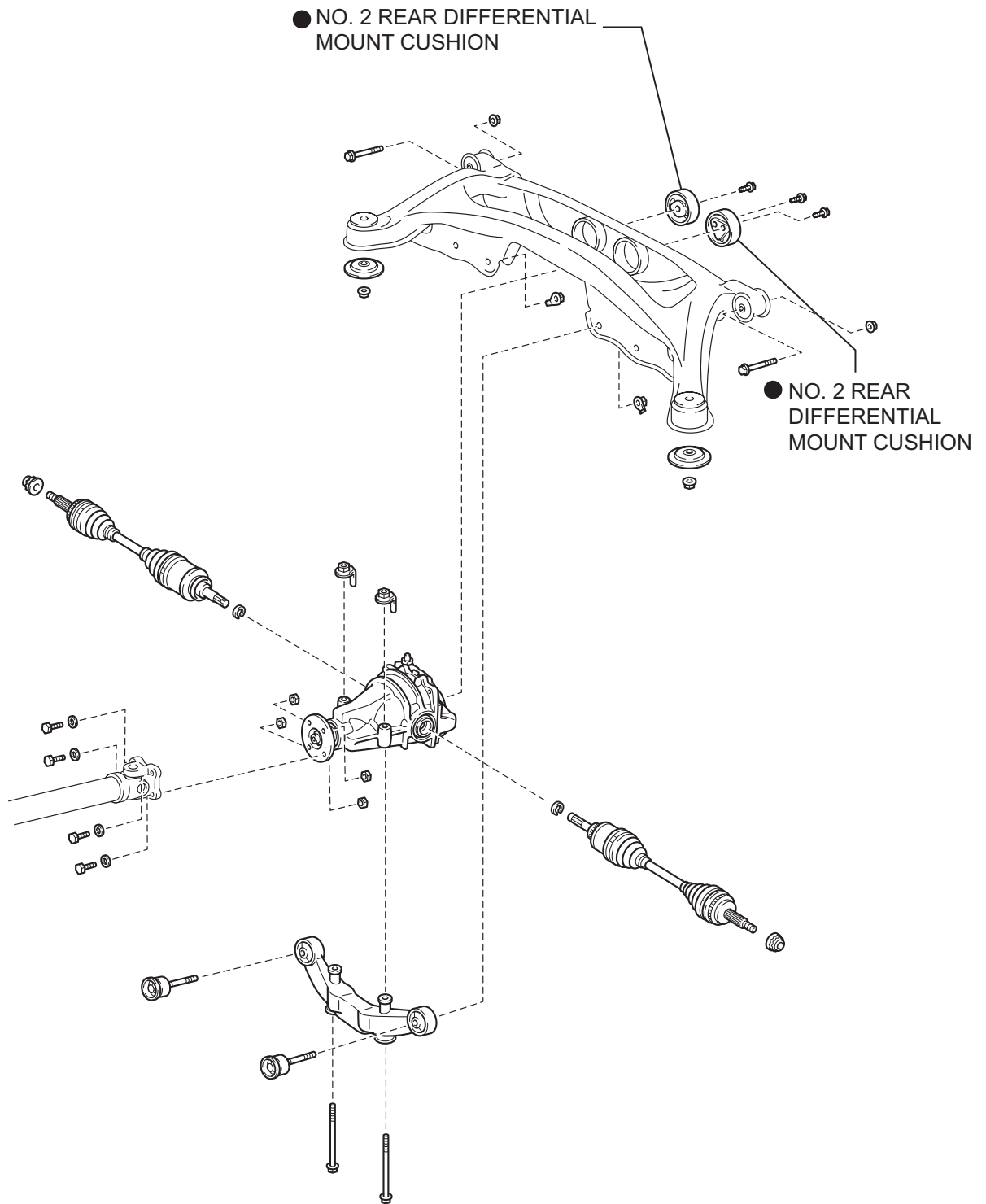


DIFFERENTIAL MOUNT CUSHION

COMPONENTS



● Non-reusable part

REMOVAL

1. REMOVE REAR DIFFERENTIAL CARRIER ASSEMBLY

HINT:

(See page [DF-13](#))

2. REMOVE NO. 1 REAR DIFFERENTIAL MOUNT CUSHION

(a) Using SST(s), remove the No. 1 rear differential mount cushion.

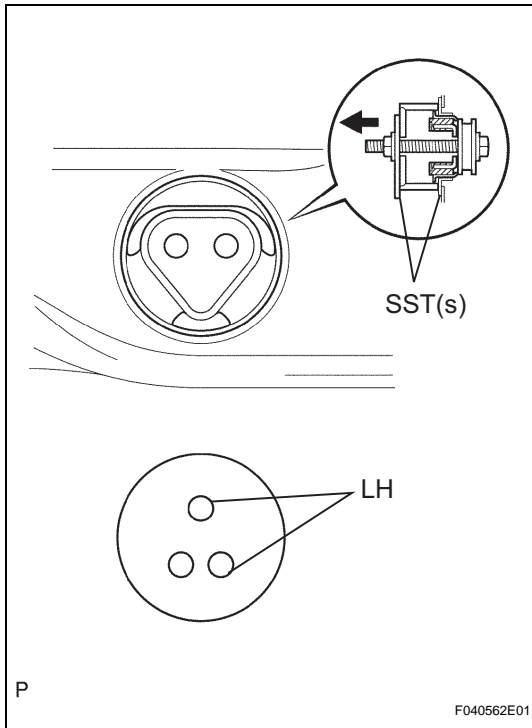
SST 09570-24011, 09316-12010

NOTICE:

- Do not bring SST(s) into contact with the sub-frame.
- Do not slant the bolts of SST(s).
- Do not set the SST(s) in wrong direction.
- Screw the 2 bolts of SST(s) equally into the 2 holes of the rear differential mount.

HINT:

Perform this operation only when the No. 1 rear differential mount cushion is damaged.



3. REMOVE NO. 2 REAR DIFFERENTIAL MOUNT CUSHION

(a) Using SST(s), remove the No. 2 rear differential mount cushion.

SST 09570-24011, 09316-12010

NOTICE:

- Do not bring SST(s) into contact with the sub-frame.
- Do not slant the bolt of SST(s).
- Do not set the SST(s) in wrong direction.

HINT:

Perform this operation only when the No. 2 rear differential mount cushion is damaged.

