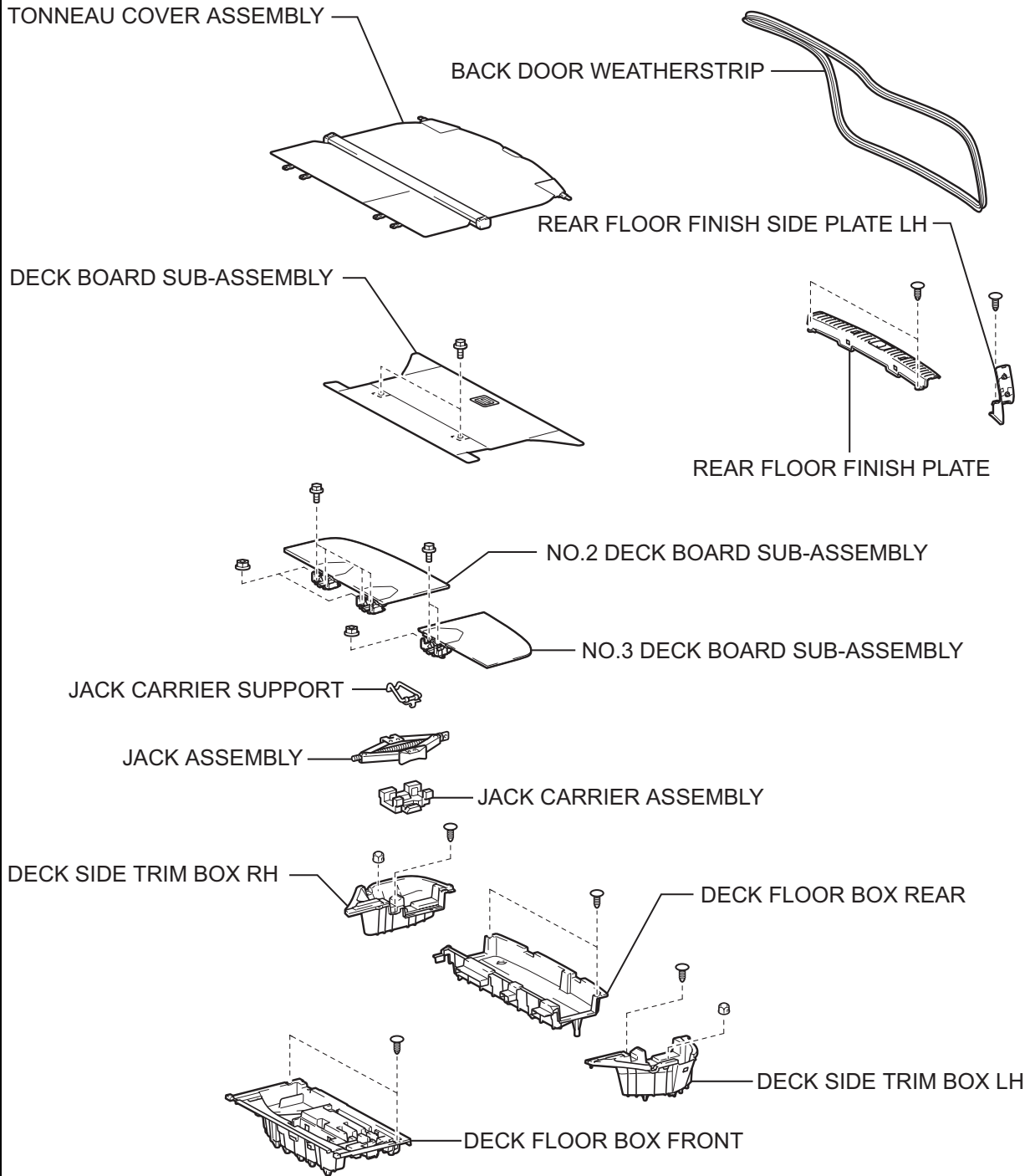
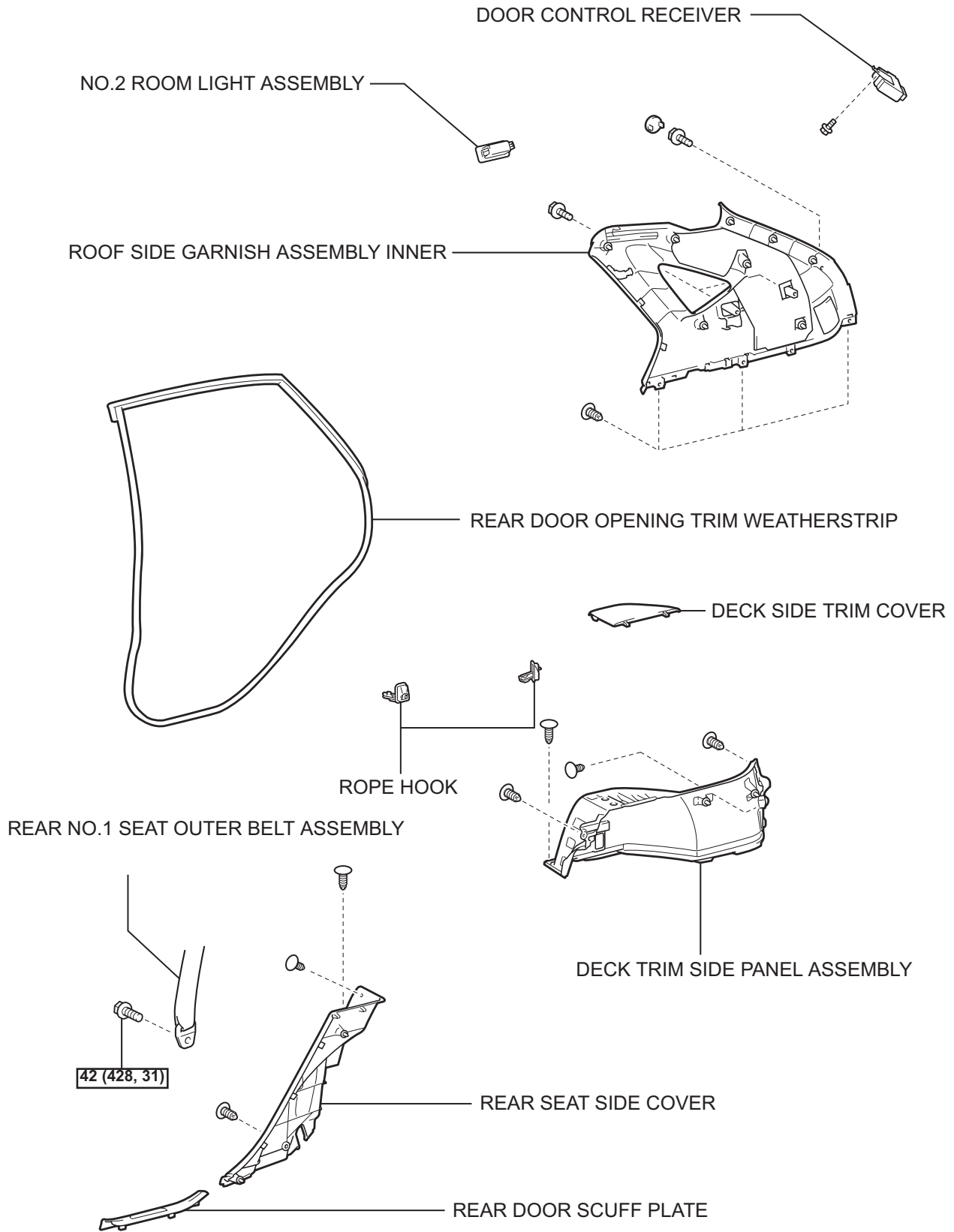


DOOR CONTROL RECEIVER

COMPONENTS



DL



42 (428, 31)

N*m (kgf*cm, ft.*lbf): Specified torque