

# WIRELESS DOOR LOCK CONTROL SYSTEM

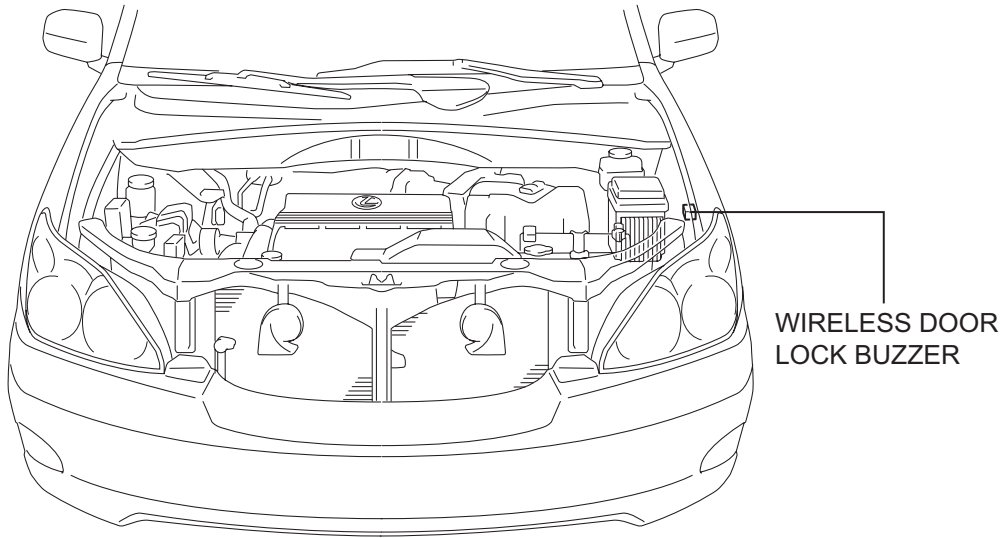
## PRECAUTION

**NOTICE:**

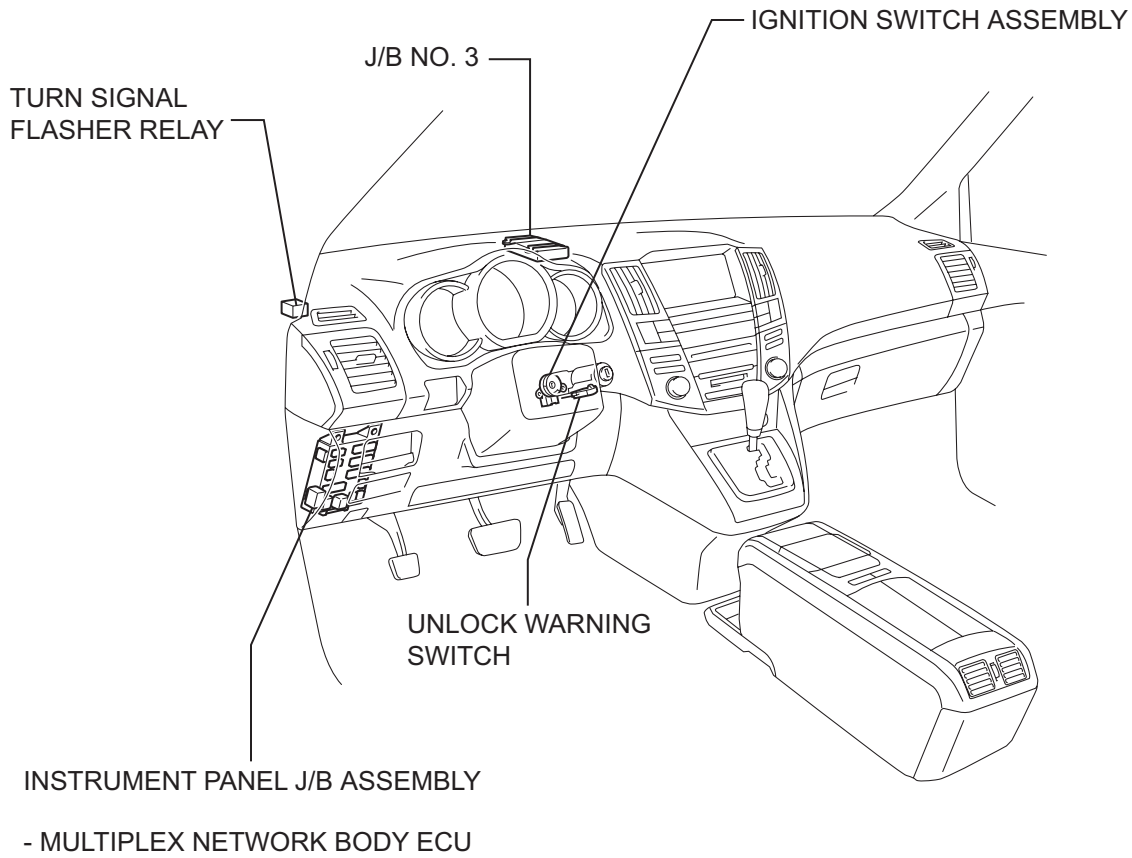
After the battery terminal has been disconnected, initialize the following systems when the terminal is reconnected.

System	See procedure
Lighting system (Adaptive Front-Lighting System)	<a href="#">LI-17</a>
Sliding roof control system	<a href="#">RF-4</a> <a href="#">RF-22</a>
Power window control system	<a href="#">WS-12</a>
Power back door system	<a href="#">DL-8</a>

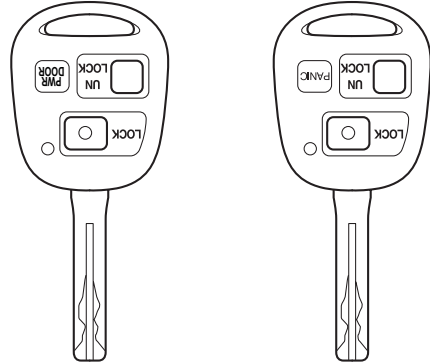
# PARTS LOCATION



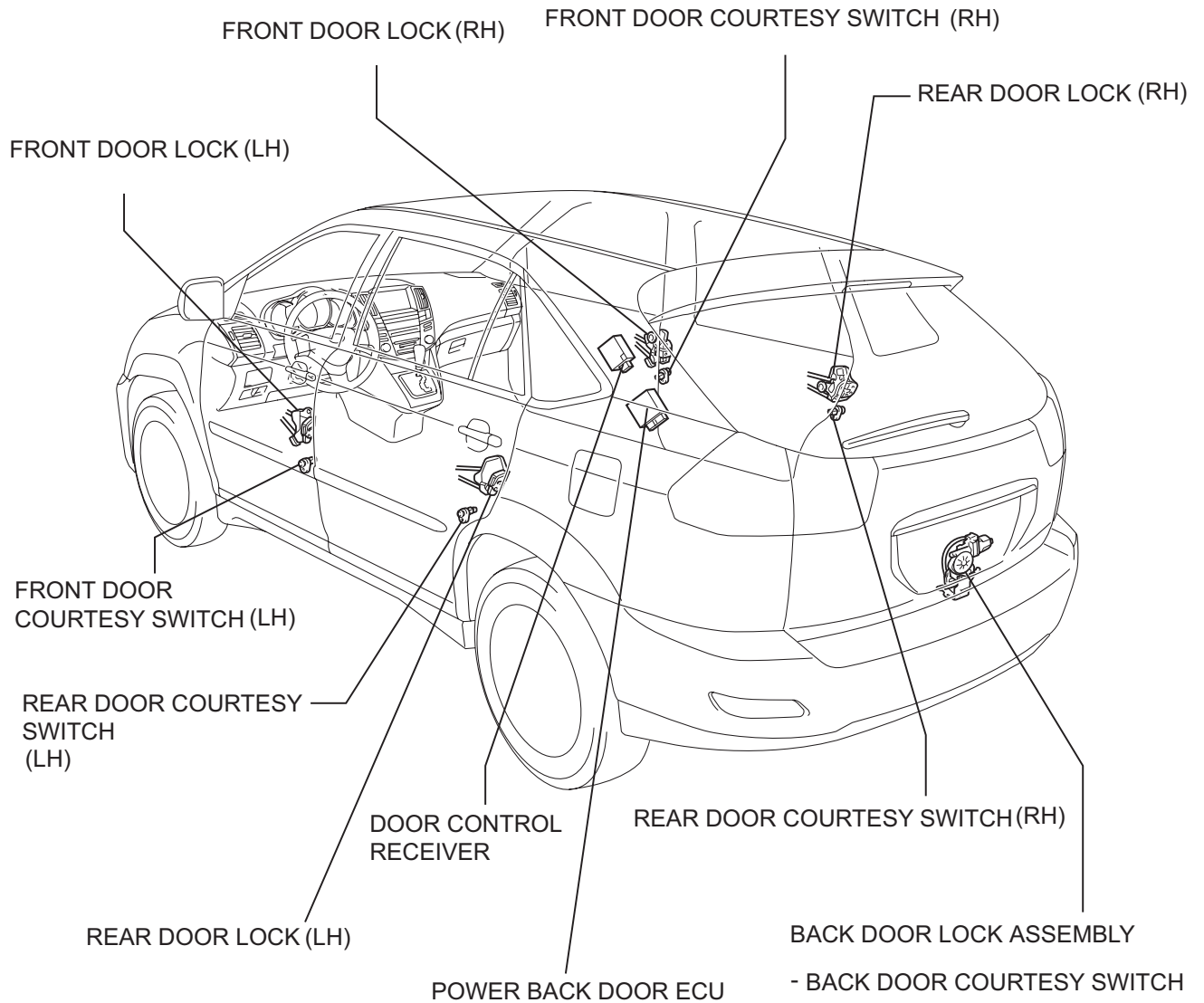
DL



DOOR CONTROL TRANSMITTER (IGNITION KEY)



W/ POWER BACK DOOR    W/O POWER BACK DOOR



DL