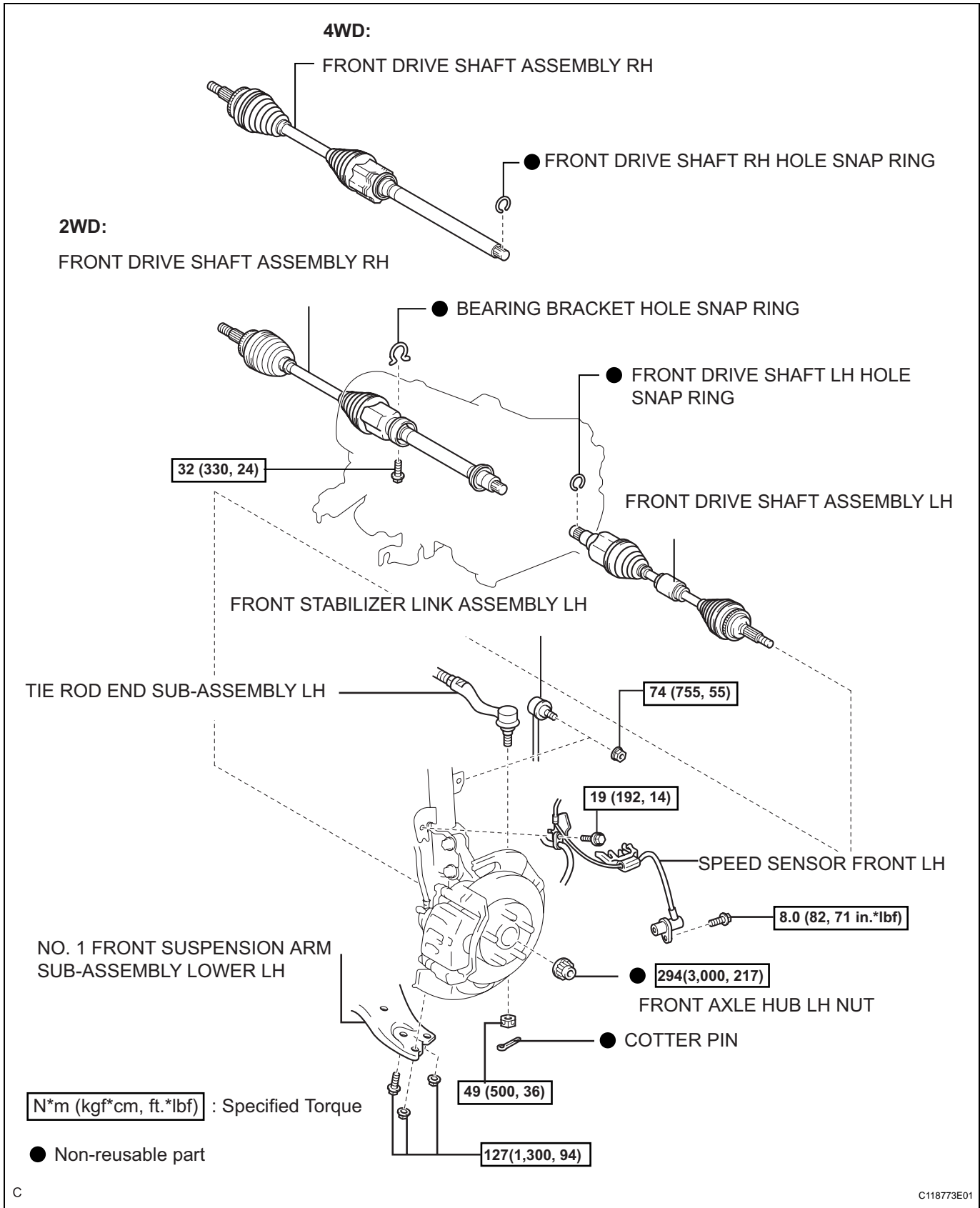


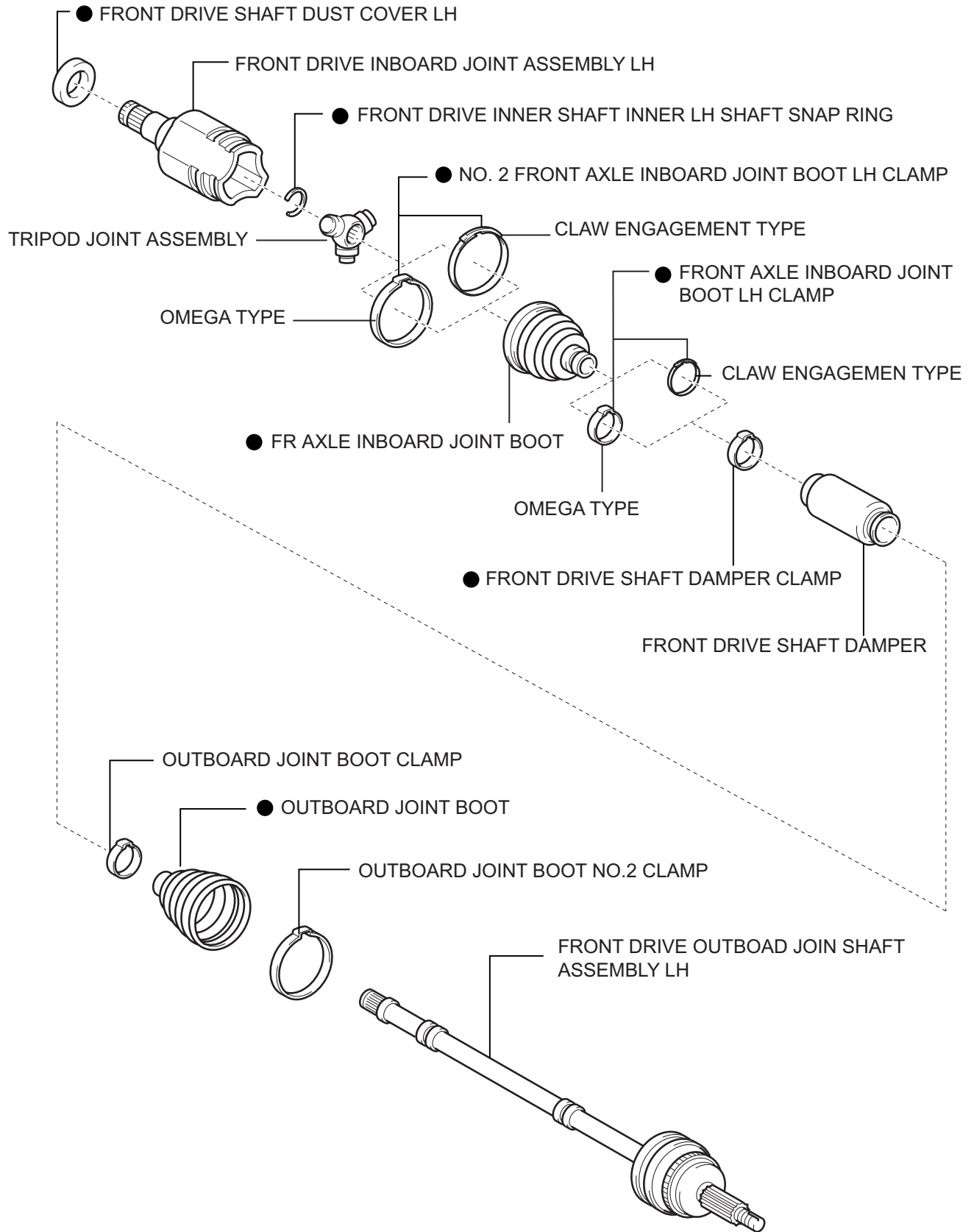
FRONT DRIVE SHAFT

COMPONENTS



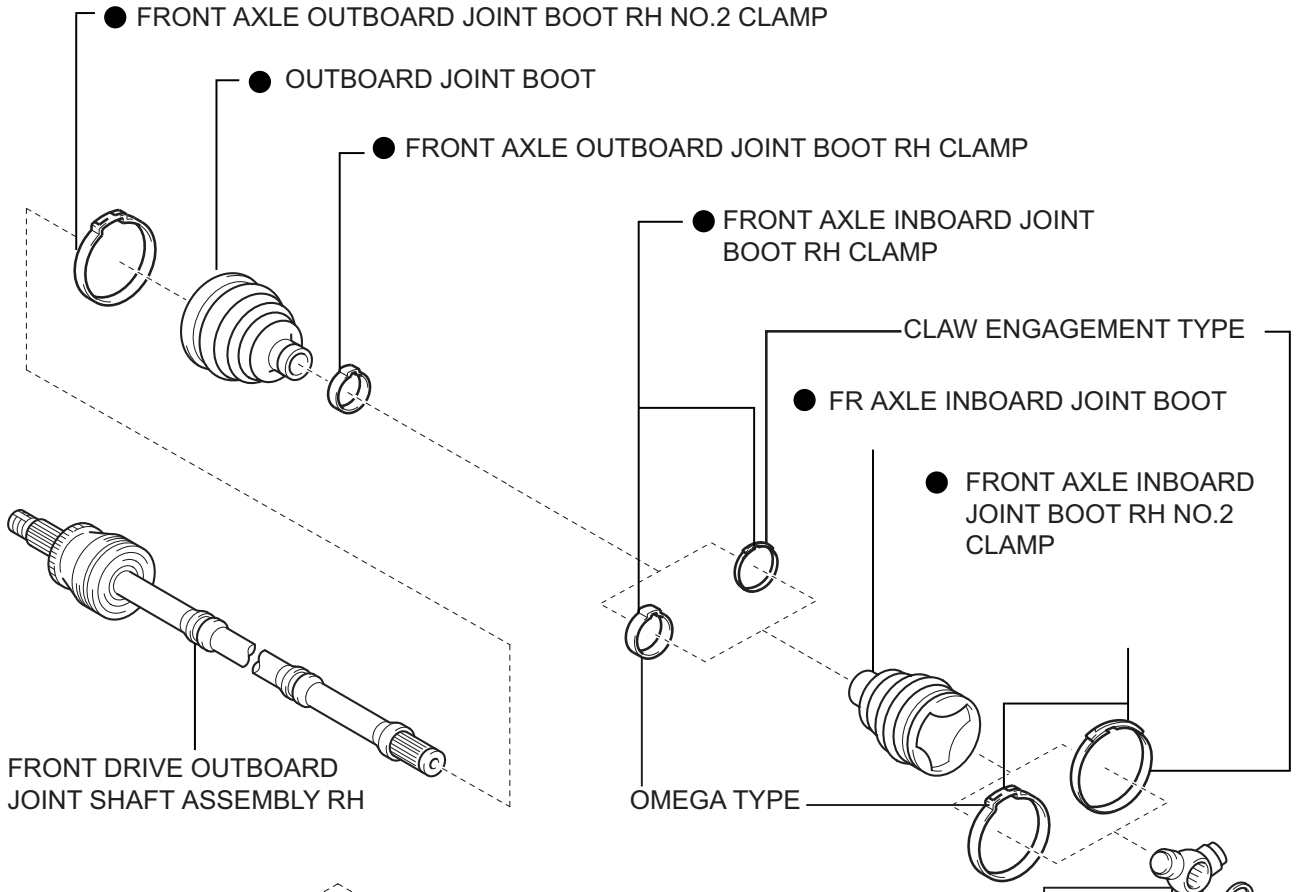
DS

LH:



● Non-reusable part

RH:

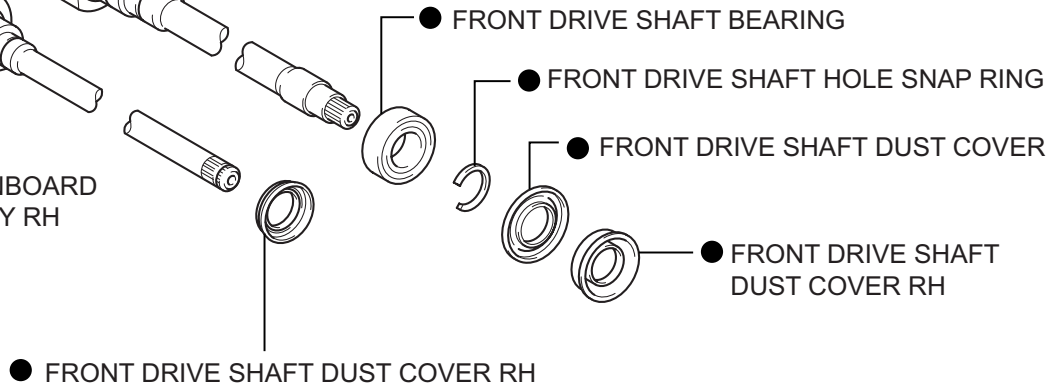


2WD:

FRONT DRIVE INBOARD JOINT ASSEMBLY RH

4WD:

FRONT DRIVE INBOARD JOINT ASSEMBLY RH



DS