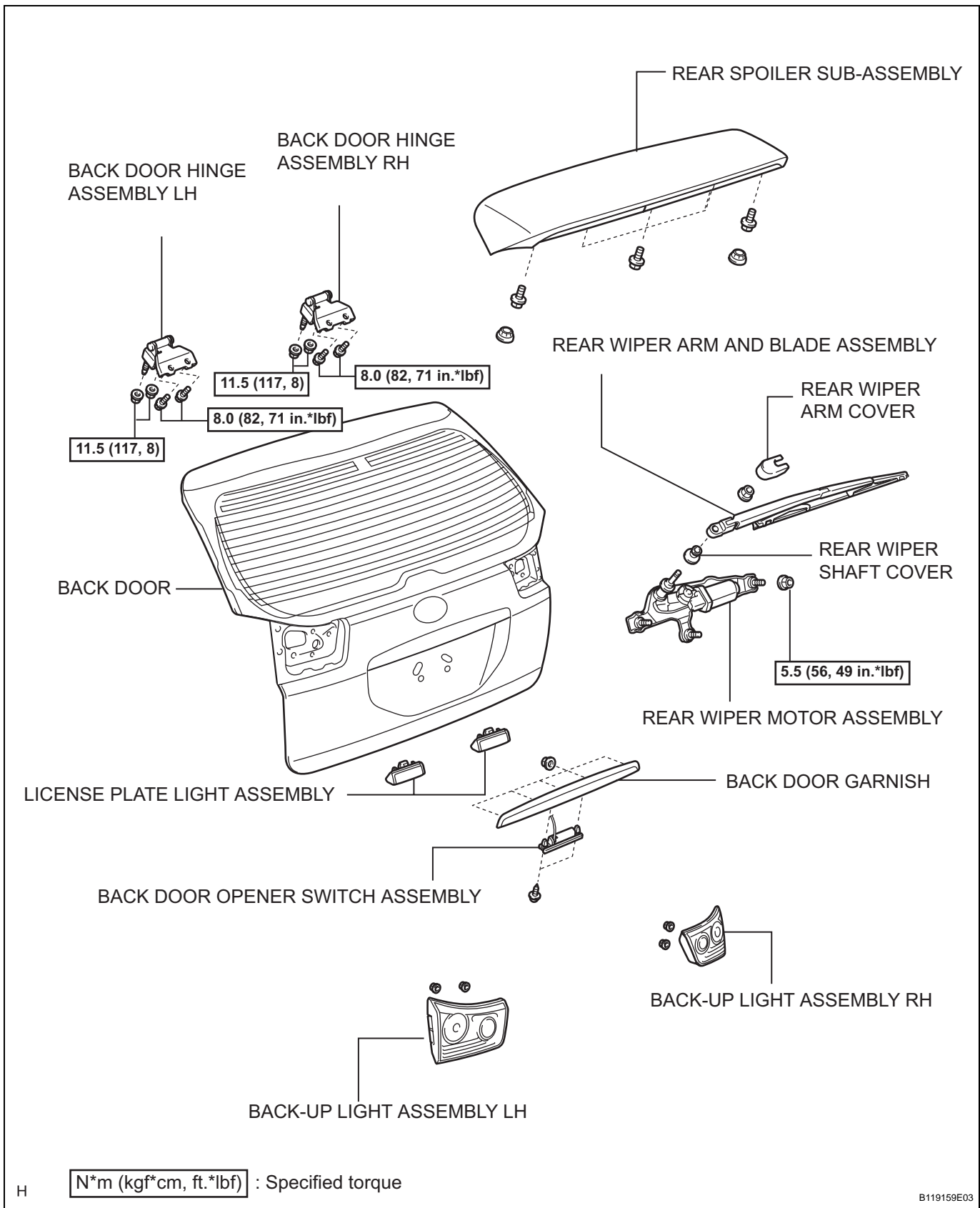
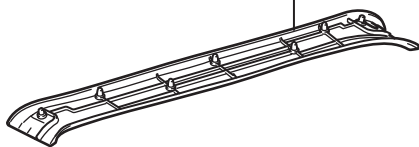


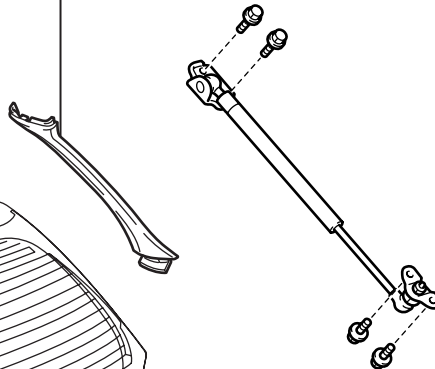
BACK DOOR COMPONENTS



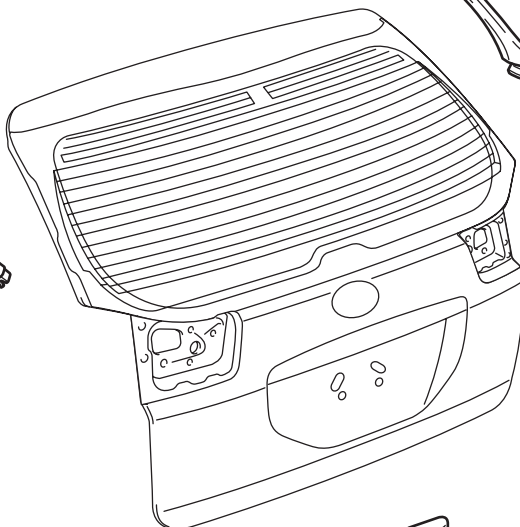
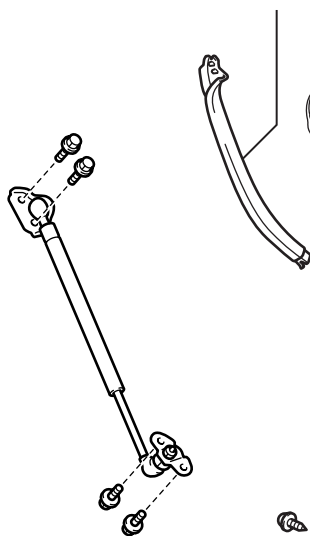
BACK WINDOW PANEL TRIM UPPER



BACK DOOR TRIM COVER RH



BACK DOOR TRIM COVER LH



BACK DOOR TRIM SPACER



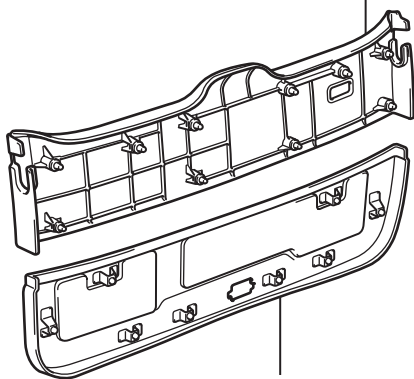
DOOR PULL HANDLE



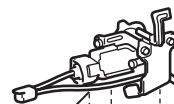
BACK DOOR TRIM SPACER



BACK DOOR TRIM PANEL ASSEMBLY UPPER



BACK DOOR TRIM PANEL ASSEMBLY



BACK DOOR LOCK ASSEMBLY

13 (133, 10)

BACK DOOR LOCK COVER



H

$N \cdot m$ (kgf \cdot cm, ft. \cdot lbf) : Specified torque