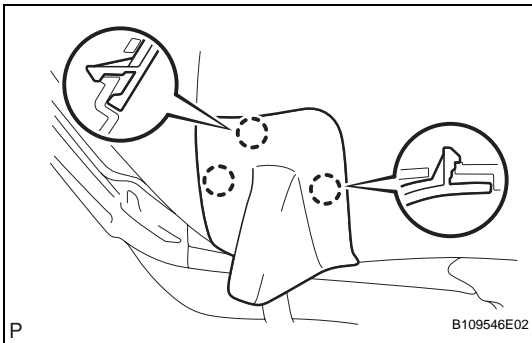
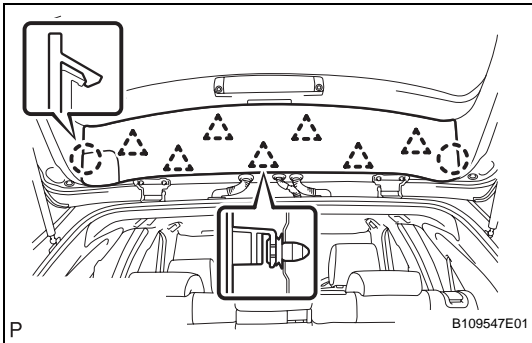
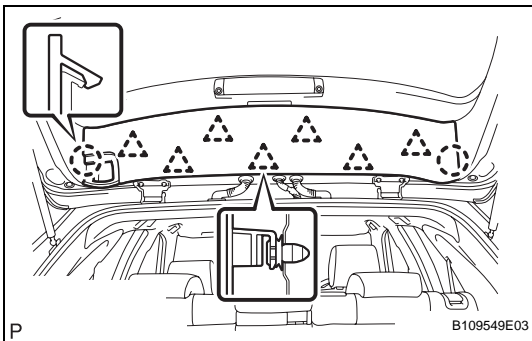


## DISASSEMBLY

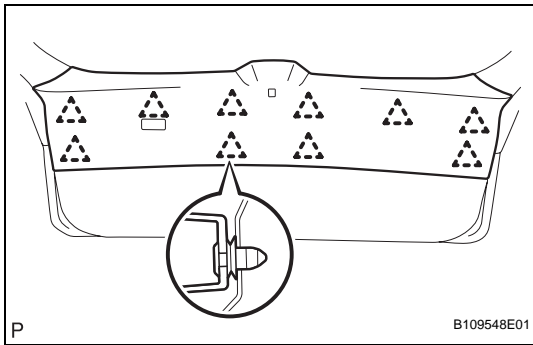
1. REMOVE REAR WIPER ARM COVER (See page [WW-44](#))
2. REMOVE REAR WIPER ARM AND BLADE ASSEMBLY (See page [WW-44](#))
3. REMOVE REAR WIPER SHAFT COVER (See page [WW-44](#))
4. REMOVE REAR NO.1 WIPER LINK PIVOT NUT (See page [WW-44](#))
5. REMOVE REAR NO.1 WIPER LINK PIVOT WASHER (See page [WW-44](#))
6. REMOVE BACK WINDOW PANEL TRIM UPPER (w/o Power Back Door)
  - (a) Disengage the 2 claws and the 7 clips, and remove the back window panel trim upper.



7. REMOVE BACK DOOR TRIM BOARD (w/ Power Back Door)
  - (a) Disengage the 3 claws and remove the back door trim board.

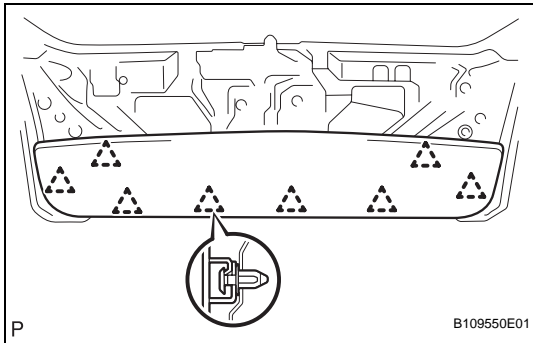


8. REMOVE BACK WINDOW PANEL TRIM UPPER (w/ Power Back Door)
  - (a) Disengage the 2 claws and the 7 clips, and remove the back window panel trim upper.



### 9. REMOVE BACK DOOR TRIM PANEL ASSEMBLY UPPER

- (a) Disengage the 10 clips and remove the back door trim panel assembly upper.



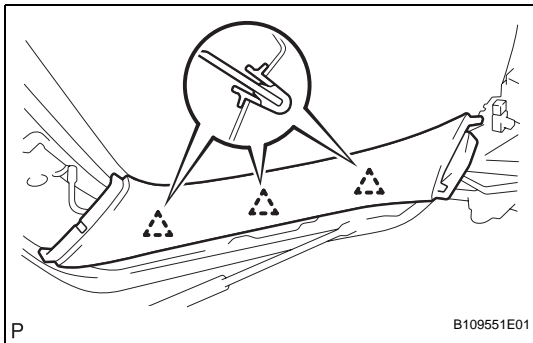
### 10. REMOVE BACK DOOR TRIM PANEL ASSEMBLY

- (a) Disengage the 8 clips and remove the back door trim panel assembly.

### 11. REMOVE REAR WIPER MOTOR ASSEMBLY (See page [WW-44](#))

### 12. REMOVE BACK-UP LIGHT ASSEMBLY RH (See page [LI-209](#))

### 13. REMOVE BACK-UP LIGHT ASSEMBLY LH (See page [LI-209](#))

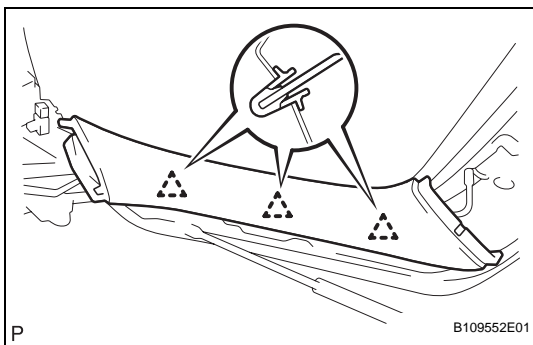


### 14. REMOVE BACK DOOR TRIM COVER RH

- (a) Disengage the 3 clips and remove the back door trim cover RH.

#### HINT:

If a clip remains on the door, remove the clip from the body and install it to the back door trim cover RH.



### 15. REMOVE BACK DOOR TRIM COVER LH

- (a) Disengage the 3 clips and remove the back door trim cover LH.

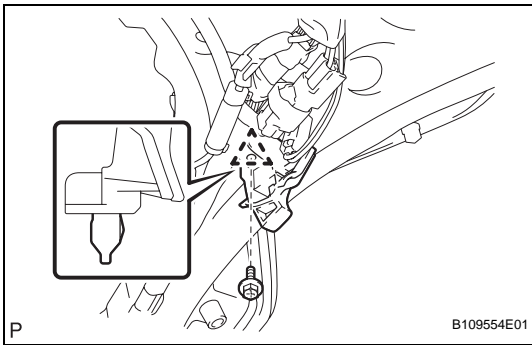
#### HINT:

If a clip remains on the door, remove the clip from the body and install it to the back door trim cover LH.

### 16. REMOVE REAR SPOILER SUB-ASSEMBLY (See page [ET-12](#))

### 17. REMOVE BACK DOOR TRIM SPACER (RH Side)

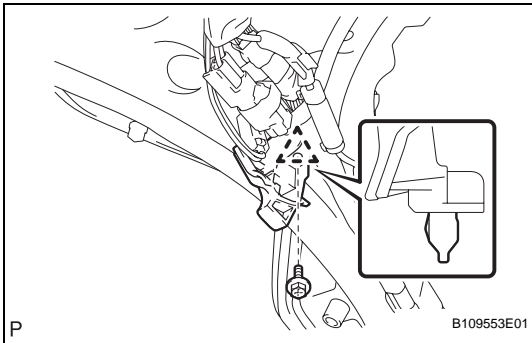
- (a) Remove the screw.



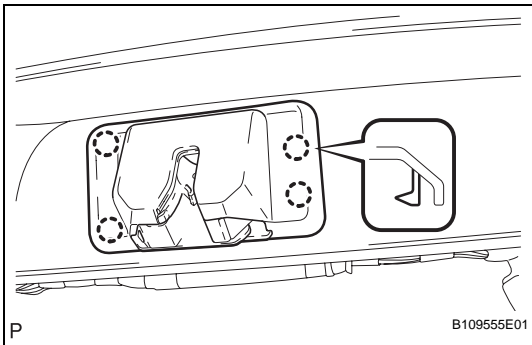
(b) Disengage the clip and remove the back door trim spacer.

### 18. REMOVE BACK DOOR TRIM SPACER (LH Side)

(a) Remove the screw.

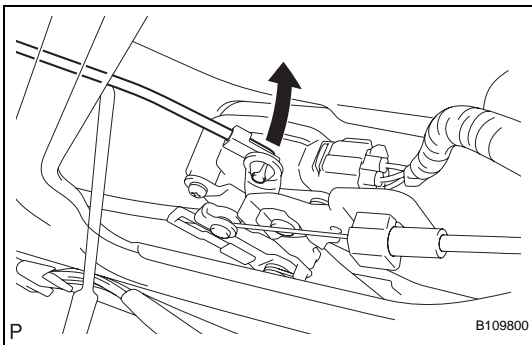


(b) Disengage the clip and remove the back door trim spacer.



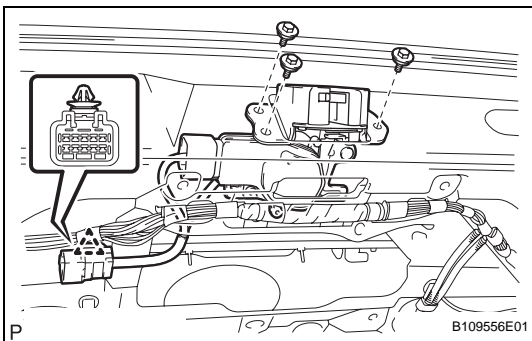
### 19. REMOVE BACK DOOR LOCK COVER

(a) Disengage the 4 claws and remove the back door lock cover.

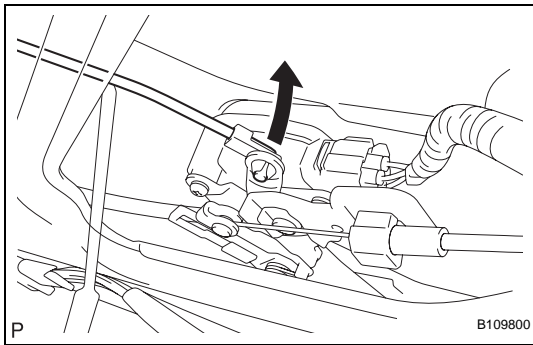


### 20. REMOVE BACK DOOR LOCK ASSEMBLY (w/o Power Back Door)

(a) Separate the link rod as shown in the illustration.

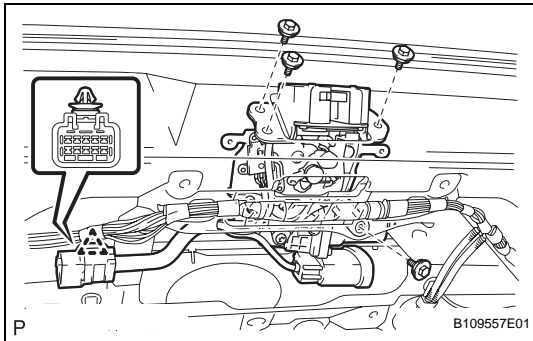


(b) Disconnect the connector and remove the clamp.  
 (c) Remove the 3 bolts and the back door lock assembly.

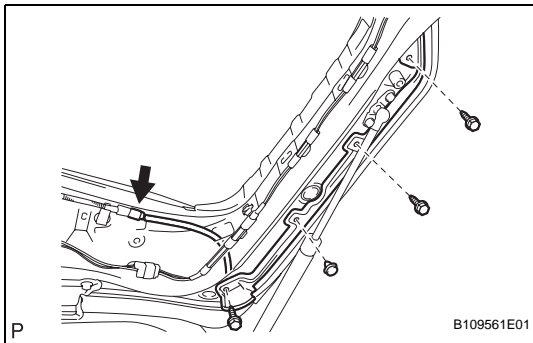


## 21. REMOVE BACK DOOR LOCK ASSEMBLY (w/ Power Back Door)

(a) Separate the link rod as shown in the illustration.

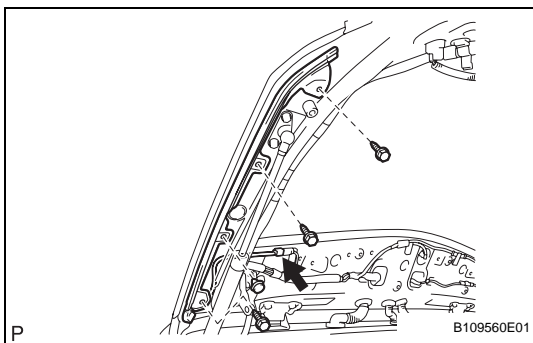


(b) Disconnect each connector and remove the clamp.  
 (c) Remove the 4 bolts and the back door lock assembly.



## 22. REMOVE POWER BACK DOOR SENSOR ASSEMBLY RH (w/ Power Back Door)

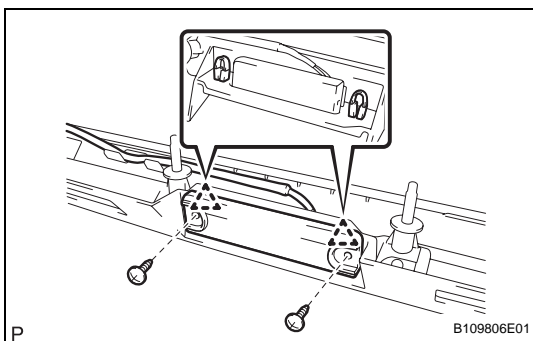
(a) Disconnect the connector.  
 (b) Remove the clip.  
 (c) Using a "torx" socket wrench (T30), remove the 3 screws and the power back door sensor assembly RH.



## 23. REMOVE POWER BACK DOOR SENSOR ASSEMBLY LH (w/ Power Back Door)

(a) Disconnect the connector.  
 (b) Remove the clip.  
 (c) Using a "torx" socket wrench (T30), remove the 3 screws and the power back door sensor assembly LH.

## 24. REMOVE BACK DOOR GARNISH (See page [ET-35](#))

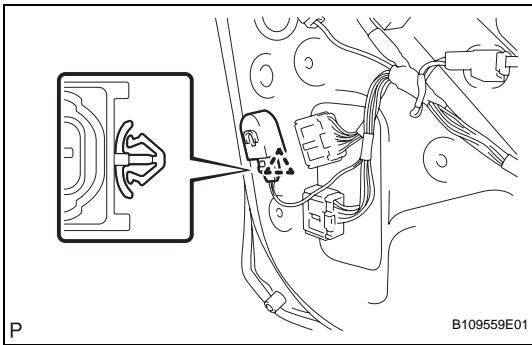


## 25. REMOVE BACK DOOR OPENER SWITCH ASSEMBLY

(a) Remove the 2 screws and the back door opener switch assembly.

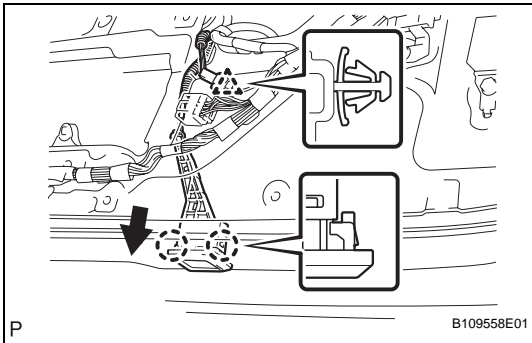
## 26. REMOVE TELEVISION CAMERA (w/ Rear View Monitor) (See page [PM-29](#))

## 27. REMOVE LICENSE PLATE LIGHT ASSEMBLY (See page [LI-212](#))



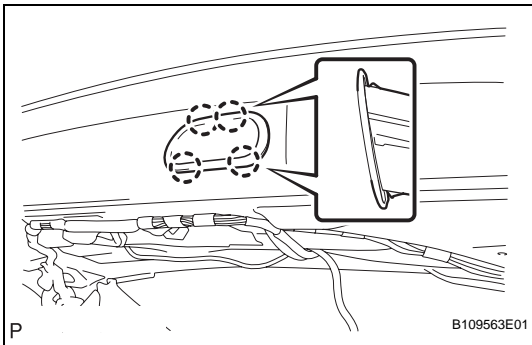
### 28. REMOVE POWER BACK DOOR WARNING BUZZER (w/ Power Back Door)

- (a) Disconnect the connector.
- (b) Remove the clamp and power back door warning buzzer.



### 29. REMOVE POWER BACK DOOR CONTROL SWITCH ASSEMBLY (w/ Power Back Door)

- (a) Remove the clamp and disconnect the connector.
- (b) Disengage the 2 claws and remove the power back door control switch assembly as shown in the illustration.



### 30. REMOVE DOOR PULL HANDLE

- (a) Disengage the 4 claws and remove the door pull handle.