

POWER BACK DOOR TOUCH SENSOR

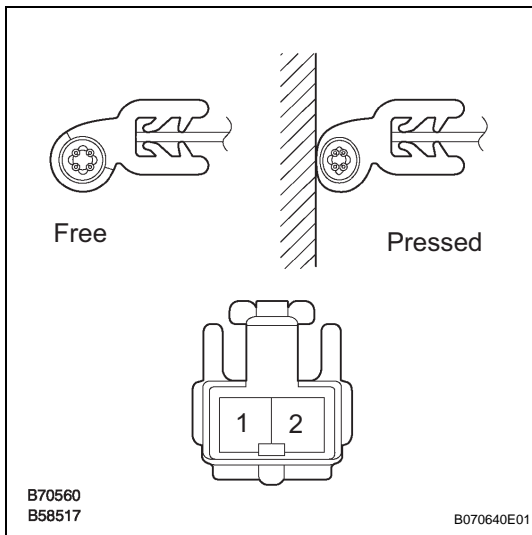
INSPECTION

1. INSPECT POWER BACK DOOR TOUCH SENSOR ASSEMBLY RH

- (a) Measure the resistance according to the value(s) in the table below.

Standard resistance

Tester Connection	Switch Position	Specified Condition
1 - 2	Free	Approx. 1 k Ω
1 - 2	Pressed	Below 100 Ω



2. INSPECT POWER BACK DOOR TOUCH SENSOR ASSEMBLY LH

- (a) Measure the resistance according to the value(s) in the table below.

Standard resistance

Tester Connection	Switch Position	Specified Condition
1 - 2	Free	Approx. 1 k Ω
1 - 2	Pressed	Below 100 Ω

