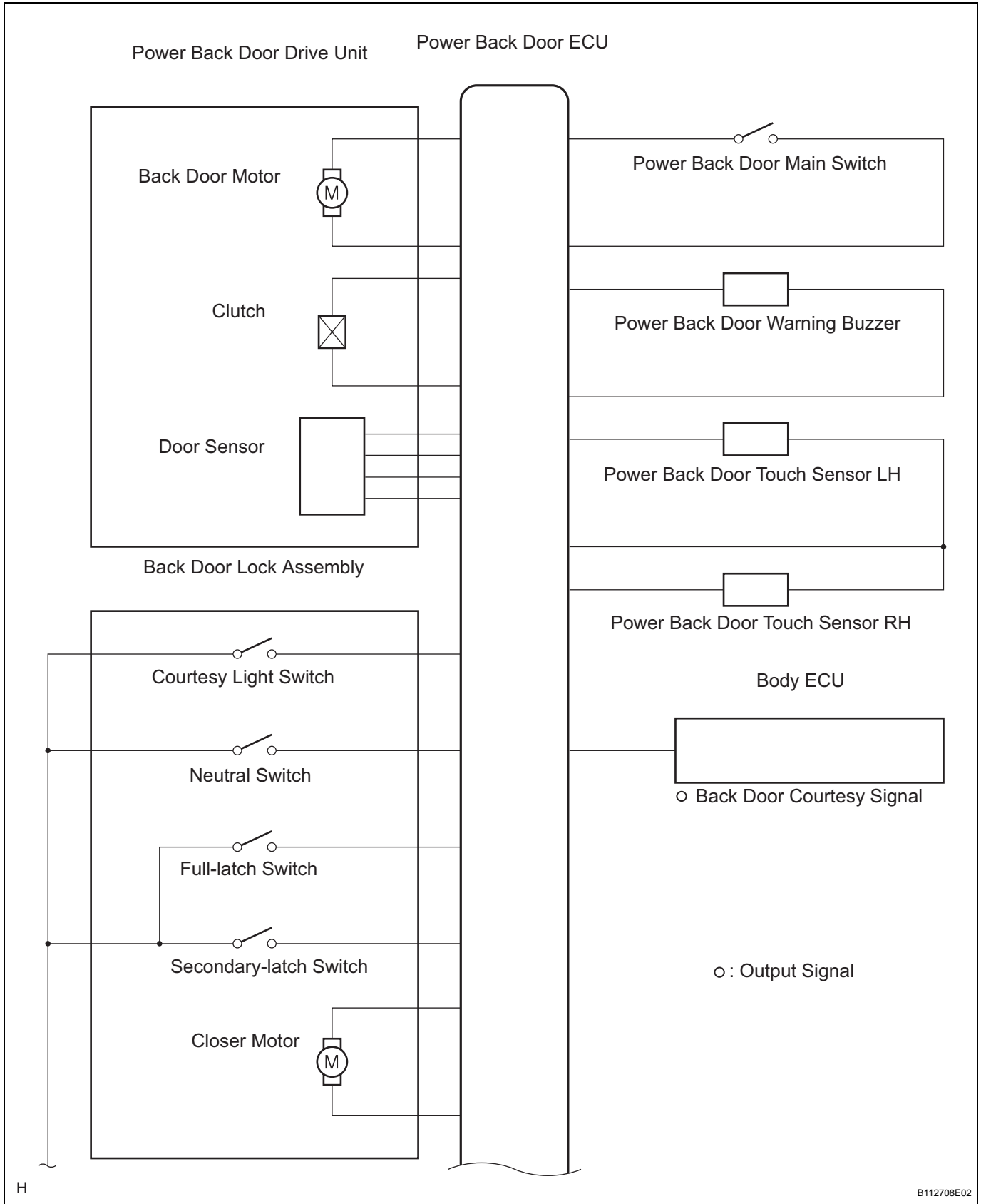
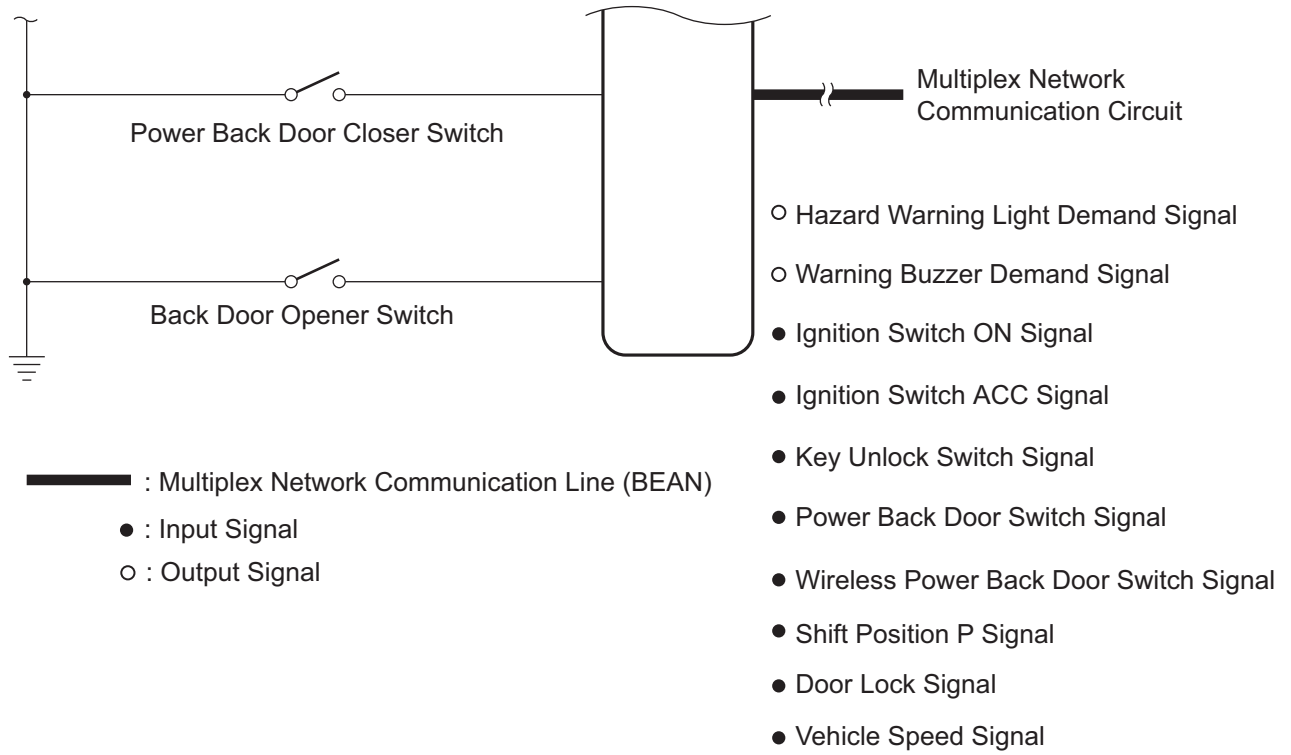


SYSTEM DIAGRAM



ED



H

B112714E01