

# FUEL LID OPENER SYSTEM

## PRECAUTION

**NOTICE:**

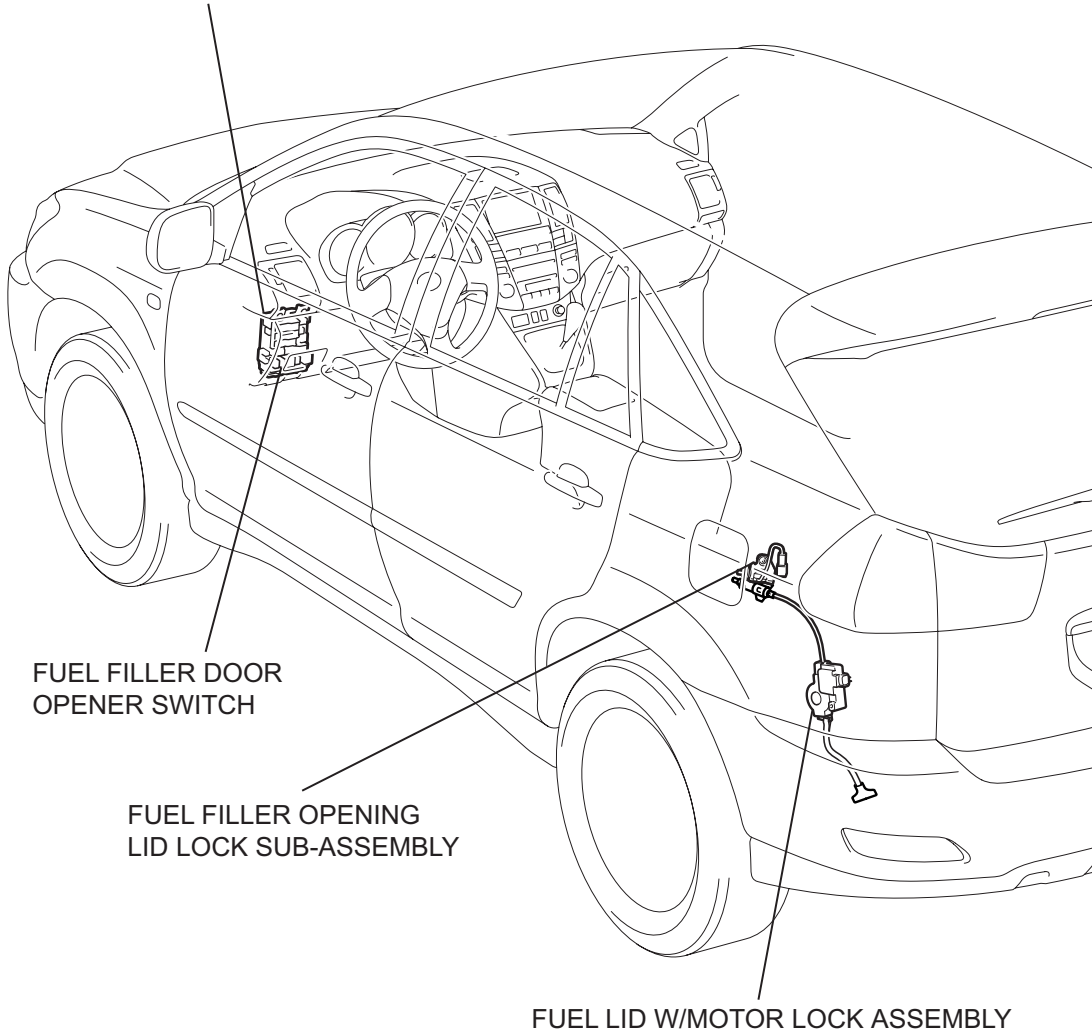
When disconnecting the cable from the battery negative (-) terminal, initialize the following systems after the cable is reconnected.

| System Name                 | See procedure                                  |
|-----------------------------|--|
| Lighting System             | <a href="#">LI-17</a>                          |
| Power Window Control System | <a href="#">WS-12</a>                          |
| Sliding Roof System         | <a href="#">RF-22</a> and <a href="#">RF-4</a> |
| Power Back Door System      | <a href="#">ED-33</a>                          |

# PARTS LOCATION

INSTRUMENT PANEL J/B ASSEMBLY

- FUEL OPN FUSE



FUEL FILLER DOOR  
OPENER SWITCH

FUEL FILLER OPENING  
LID LOCK SUB-ASSEMBLY

FUEL LID W/MOTOR LOCK ASSEMBLY