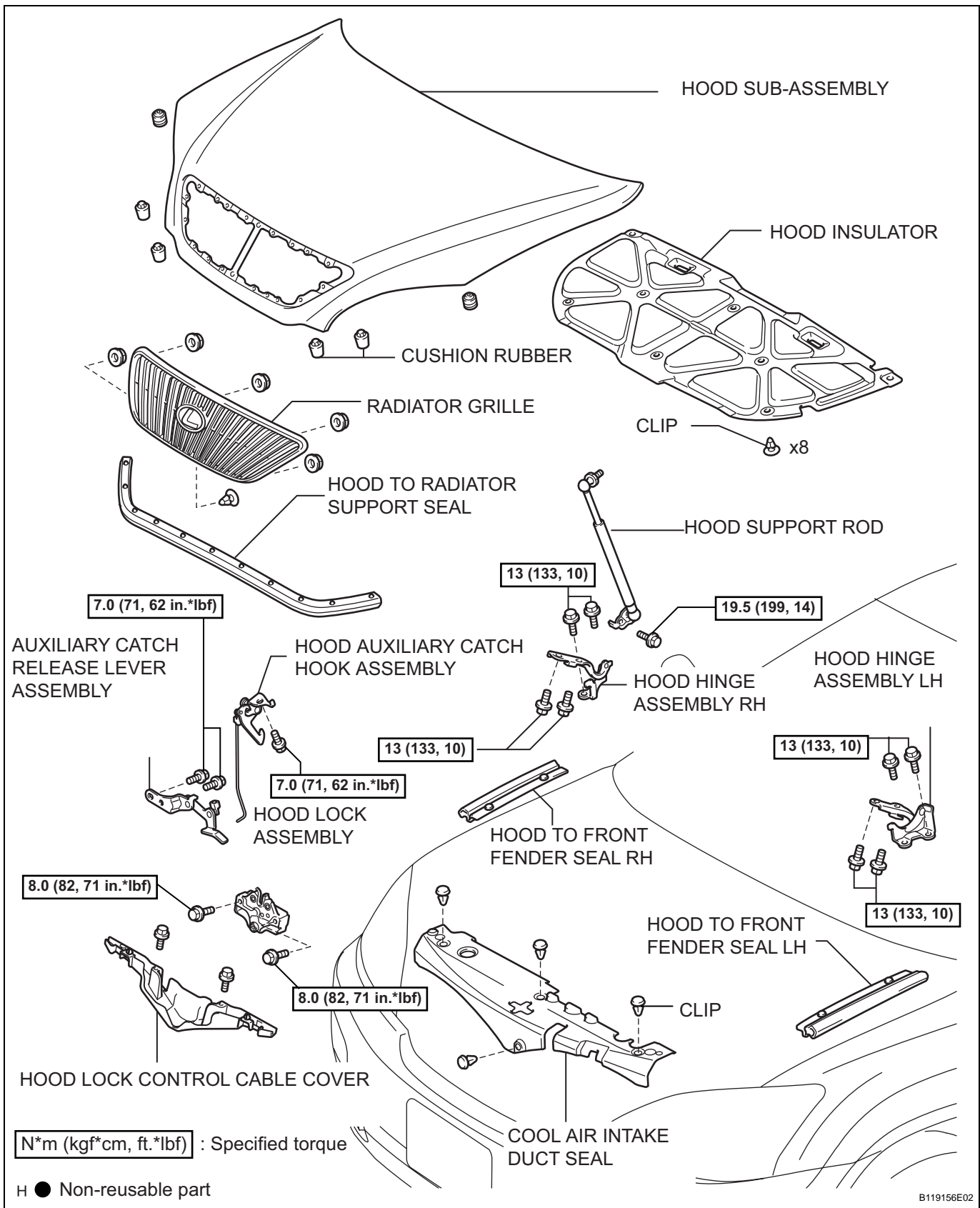
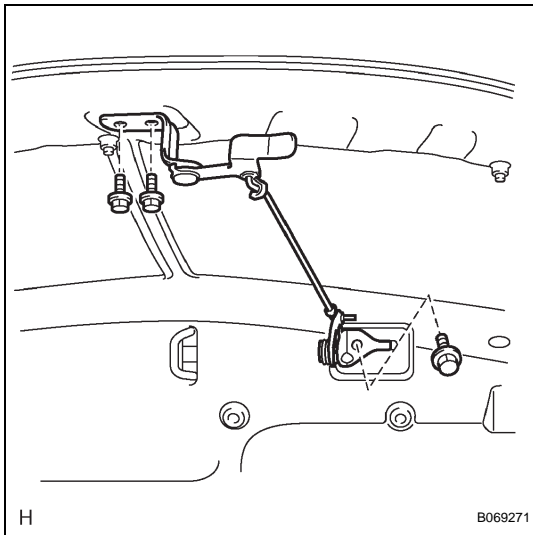
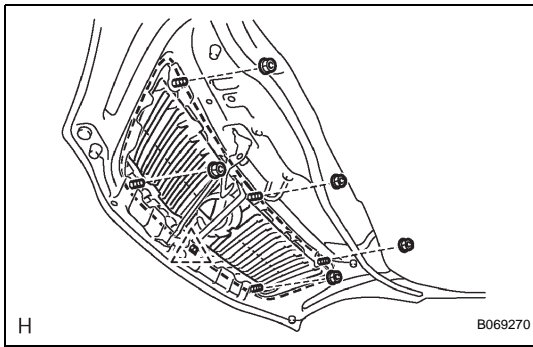


HOOD COMPONENTS

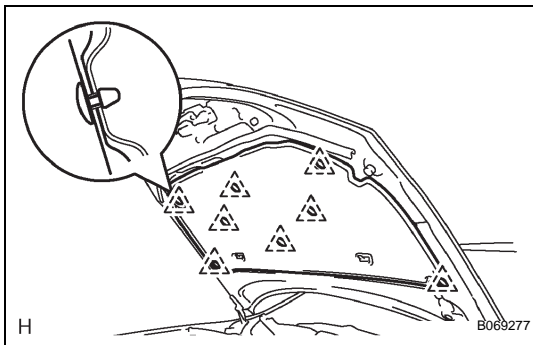


DISASSEMBLY**1. REMOVE AUXILIARY CATCH RELEASE LEVER ASSEMBLY**

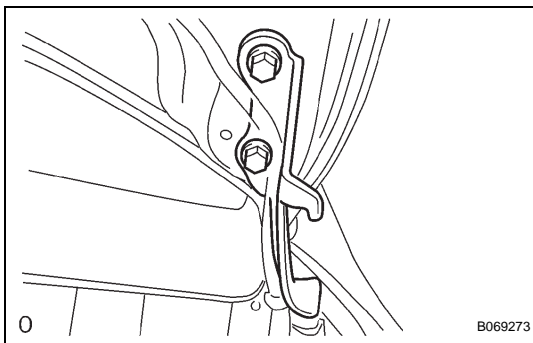
- (a) Remove the 3 bolts, auxiliary catch release lever assembly and hood auxiliary catch hook assembly as a unit.
- (b) Remove the auxiliary catch release lever assembly from the hood auxiliary catch hook assembly.

**2. REMOVE RADIATOR GRILLE**

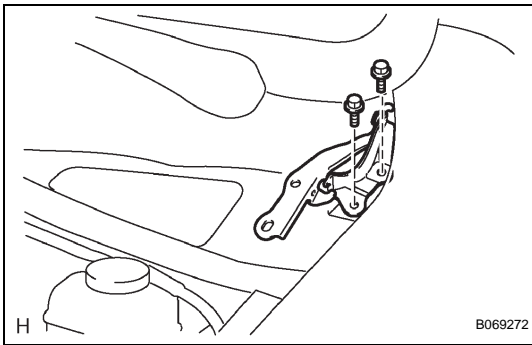
- (a) Remove the 5 nuts, clip and radiator grille.

**3. REMOVE HOOD INSULATOR**

- (a) Remove the 8 clips and hood insulator.

4. REMOVE HOOD SUPPORT ROD**5. REMOVE HOOD TO RADIATOR SUPPORT SEAL****6. REMOVE HOOD TO FRONT FENDER SEAL LH****7. REMOVE HOOD TO FRONT FENDER SEAL RH****8. REMOVE HOOD SUB-ASSEMBLY**

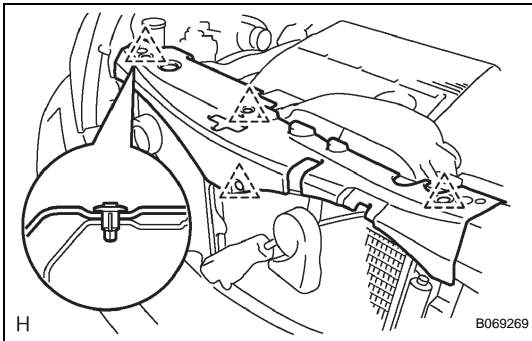
- (a) Remove the 2 bolts.
HINT:
Use the same procedure for removal on the RH side.
- (b) Remove the hood sub-assembly.

**9. REMOVE HOOD HINGE ASSEMBLY LH**

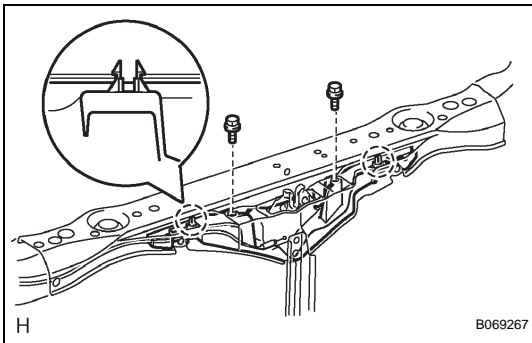
- (a) Remove the 2 bolts and hood hinge assembly LH.

10. REMOVE HOOD HINGE ASSEMBLY RH

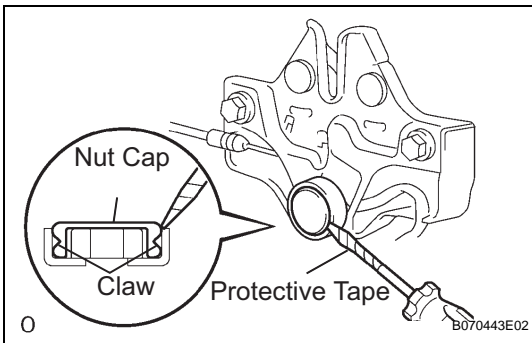
- (a) Remove the 2 bolts and hood hinge assembly RH.

**11. REMOVE COOL AIR INTAKE DUCT SEAL**

- (a) Remove the 4 clips and cool air intake duct seal.

**12. REMOVE HOOD LOCK CONTROL CABLE COVER**

- (a) Remove the 2 screws and disengage the 2 claws and remove the hood lock control cable cover.

**13. REMOVE HOOD LOCK ASSEMBLY**

- (a) Using a screwdriver wrapped with protective tape, remove the nut cap.

- (b) Remove the 3 bolts and separate the hood lock assembly.

- (c) Disconnect the connector and cable.

- (d) Remove the hood lock assembly.

