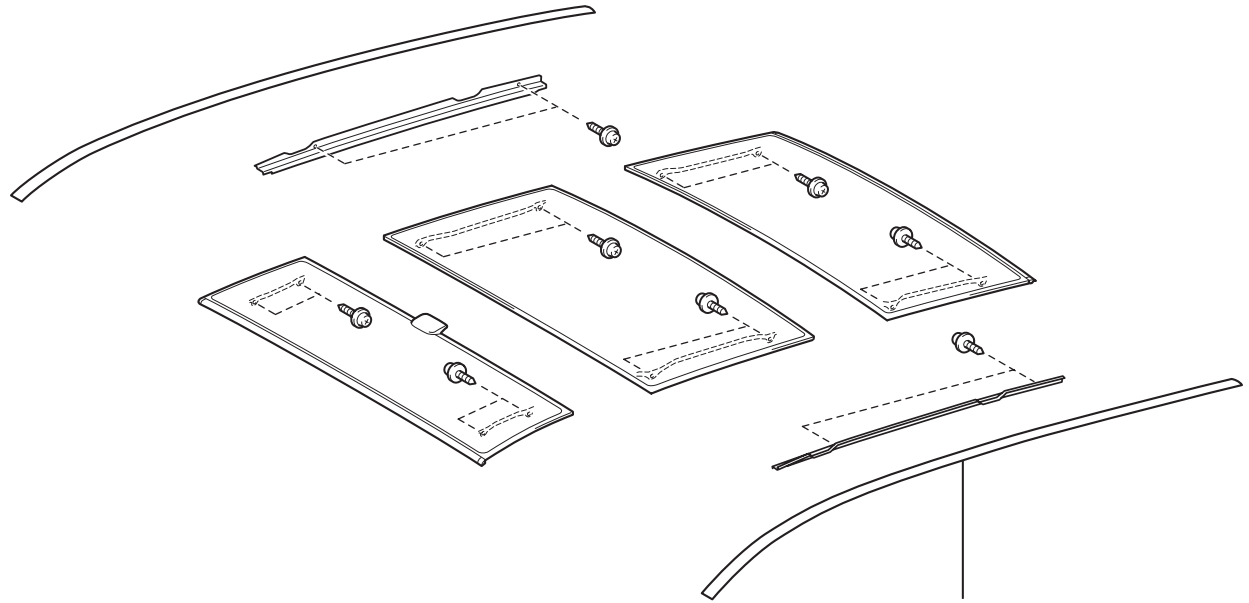
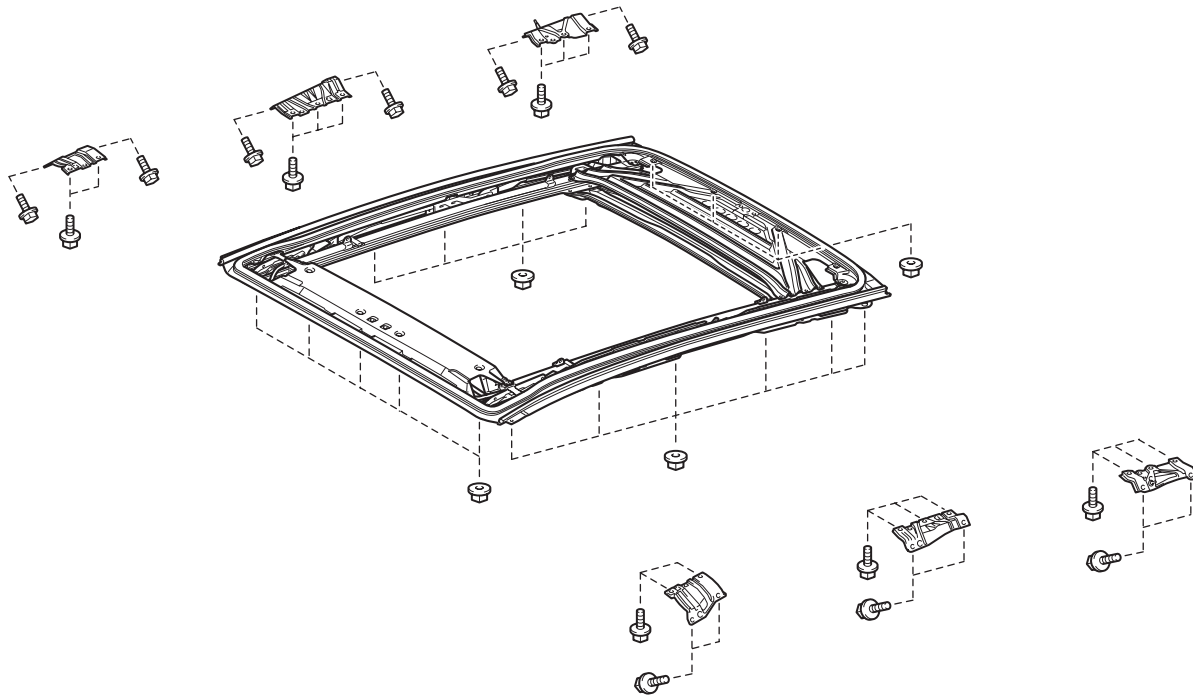


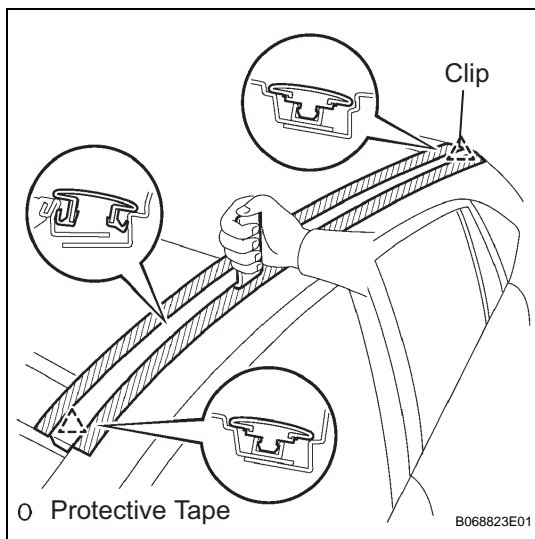
ROOF DRIP SIDE FINISH MOULDING (w/ Sliding Roof)

COMPONENTS



ROOF DRIP SIDE FINISH MOULDING CENTER





REMOVAL

1. REMOVE ROOF DRIP SIDE FINISH MOULDING CENTER

- (a) Tape the circumference of the moulding for protection.
- (b) Using a remover for the roof moulding, release the engagements of the clips both in the front and rear end of the moulding and then remove the roof drip side finish moulding.

NOTICE:

- Do not remove the clips.
- In case that the clips are damaged or removed accidentally, exchange them for supplied clips.