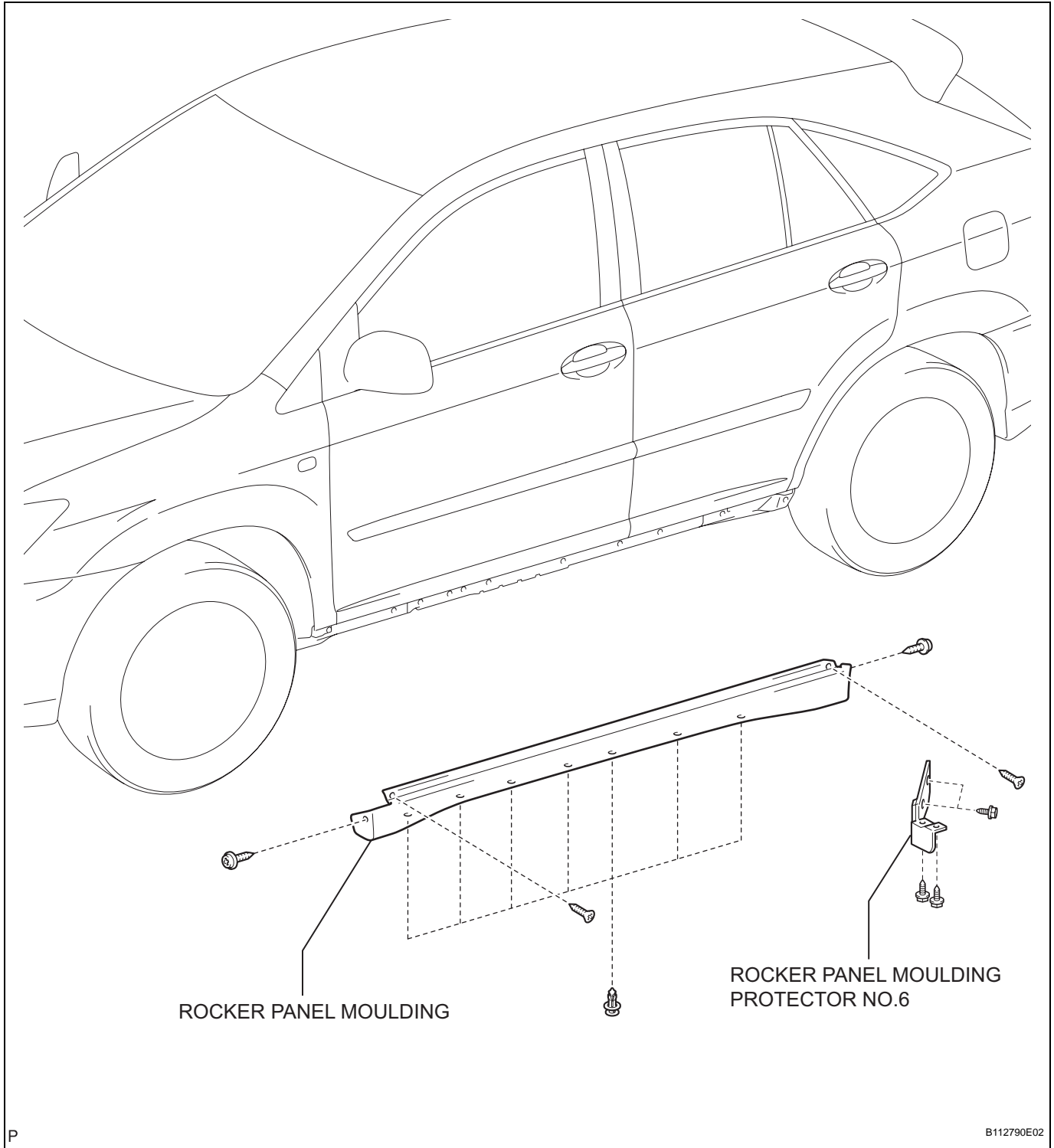
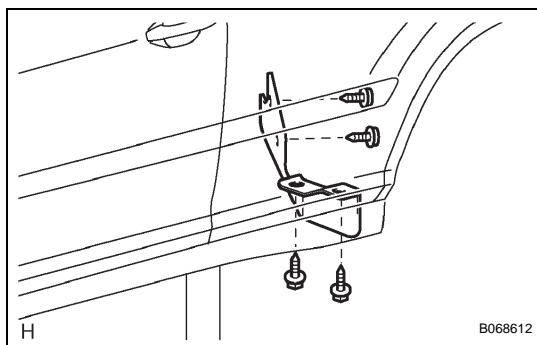


# ROCKER PANEL MOULDING

## COMPONENTS

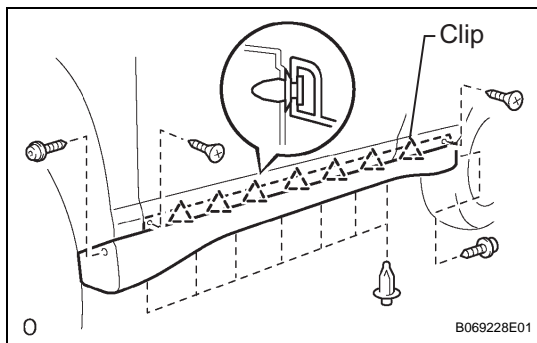




## REMOVAL

### 1. REMOVE ROCKER PANEL MOULDING PROTECTOR NO.6

- (a) Remove the 4 screws and rocker panel moulding protector.



### 2. REMOVE ROCKER PANEL MOULDING

- (a) Using a screwdriver, remove the 7 clips.  
HINT:  
Tape the screwdriver tip before use.
- (b) Remove the 2 screws.
- (c) Using a hexagon wrench, remove the 2 screws.
- (d) Disengage the 2 clips and remove the rocker panel moulding.