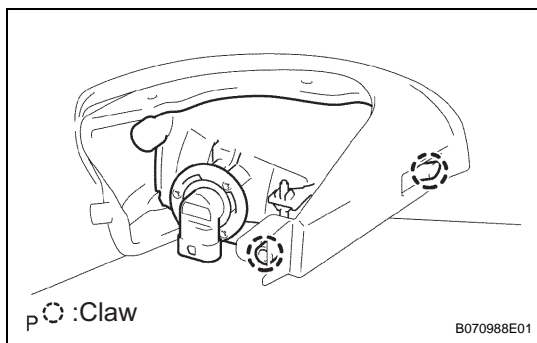


DISASSEMBLY

1. **REMOVE HEADLIGHT WASHER ACTUATOR SUB-ASSEMBLY (w/ Headlight Cleaner)**
 - (a) Remove the 2 screws and actuator.
2. **REMOVE FRONT BUMPER ENERGY ABSORBER**
3. **REMOVE FRONT BUMPER REINFORCEMENT**
 - (a) Remove the 6 bolts and reinforcement.
4. **REMOVE LASER RADAR SENSOR**
 - (a) Using a screwdriver, disconnect the wire harness clamp.
HINT:
Tape the screwdriver tip before use.
 - (b) Disconnect the sensor connector.
 - (c) Remove the sensor.
5. **REMOVE FRONT BUMPER STAY NO.2**
 - (a) Remove the 3 screws and bumper stay.
6. **REMOVE FRONT BUMPER EXTENSION MOUNTING BRACKET**
 - (a) Remove the 2 bolts and mounting bracket.
7. **REMOVE FRONT BUMPER GARNISH**
 - (a) Remove the 2 bolts.
 - (b) Using a screwdriver, remove the 7 clips and bumper garnish.
HINT:
Tape the screwdriver tip before use.
8. **REMOVE FOG LIGHT ASSEMBLY**
 - (a) Disengage the 2 claws and remove the fog light.
9. **REMOVE FRONT BUMPER HOLE COVER**
 - (a) Using a screwdriver, disengage the 2 claws and remove the hole cover.
HINT:
Tape the screwdriver tip before use.
10. **REMOVE HEADLIGHT MOUNTING BRACKET**



REASSEMBLY

1. **INSTALL HEADLIGHT MOUNTING BRACKET**
2. **INSTALL FRONT BUMPER COVER**
3. **INSTALL FOG LIGHT ASSEMBLY**
4. **INSTALL FRONT BUMPER GARNISH**
5. **INSTALL FRONT BUMPER EXTENSION MOUNTING BRACKET**
6. **INSTALL FRONT BUMPER STAY NO.2**
7. **INSTALL LASER RADAR SENSOR**
8. **INSTALL FRONT BUMPER REINFORCEMENT**
 - (a) Install the reinforcement with the 6 bolts.
Torque: 77 N*m (780 kgf*cm, 57 ft.*lbf)
9. **INSTALL FRONT BUMPER ENERGY ABSORBER**
10. **INSTALL HEADLIGHT WASHER ACTUATOR SUB-ASSEMBLY (w/ Headlight Cleaner)**