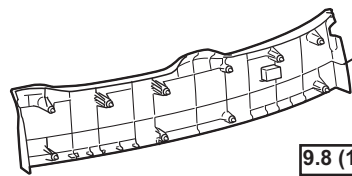
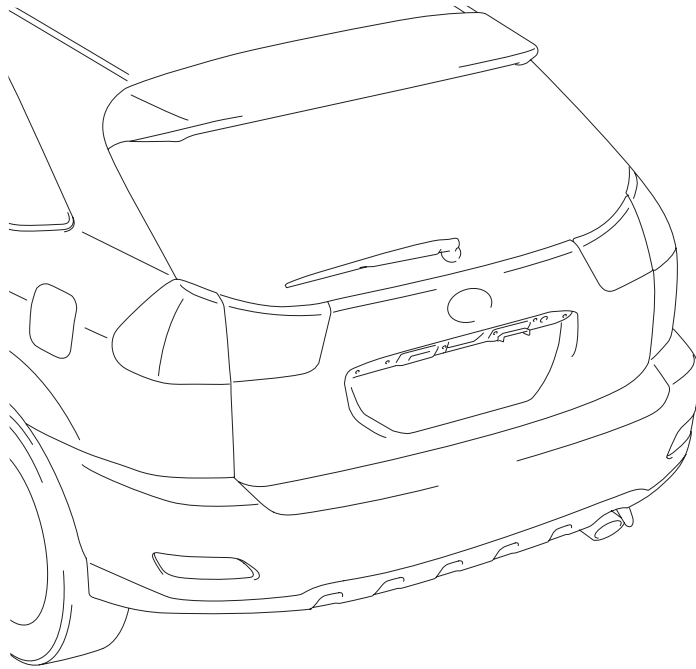


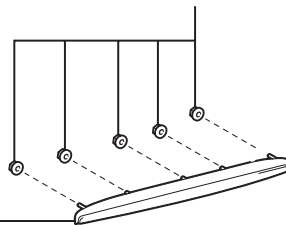
BACK DOOR GARNISH

COMPONENTS

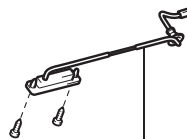


BACK DOOR TRIM PANEL ASSEMBLY UPPER

9.8 (100, 87 in.*lbf)



BACK DOOR GARNISH

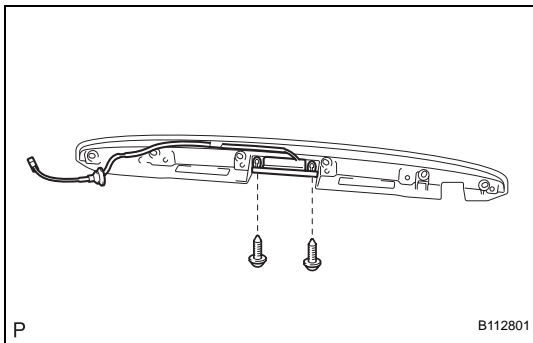
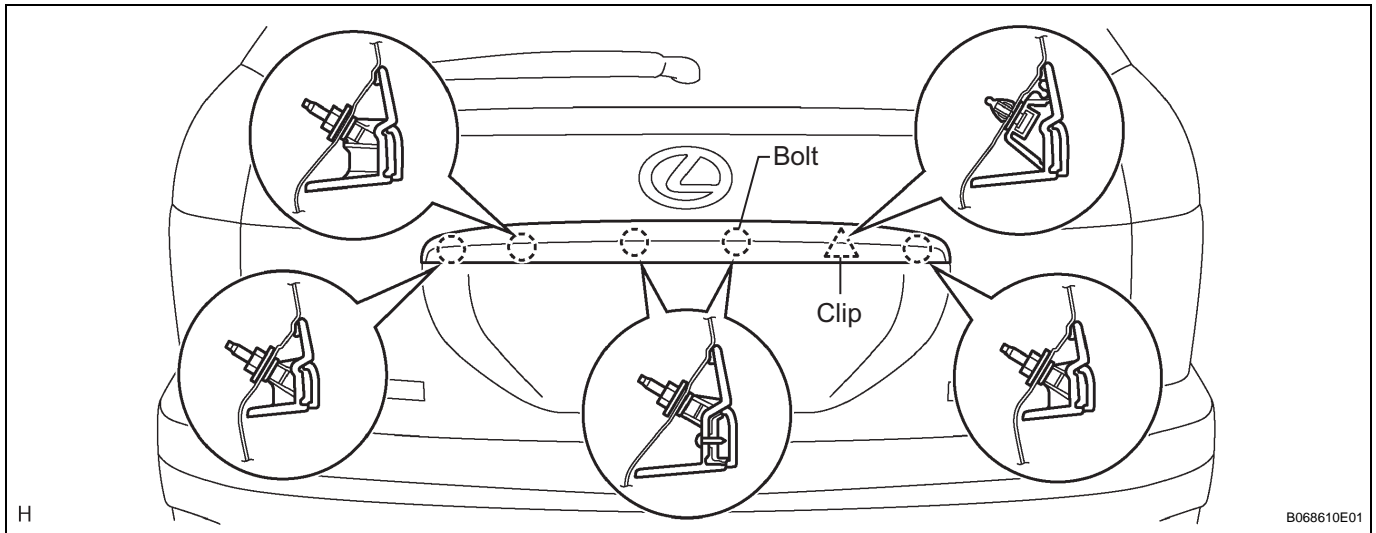


BACK DOOR OPENER SWITCH ASSEMBLY

N*m (kgf*cm, ft.*lbf): Specified torque

REMOVAL

1. REMOVE BACK DOOR TRIM PANEL ASSEMBLY UPPER (See page ED-124)
2. REMOVE BACK DOOR GARNISH
 - (a) Disengage the back door opener switch connector.
 - (b) Remove the 5 bolts, clip and garnish.



3. REMOVE BACK DOOR OPENER SWITCH ASSEMBLY

- (a) Remove the 2 screws and back door opener switch assembly.