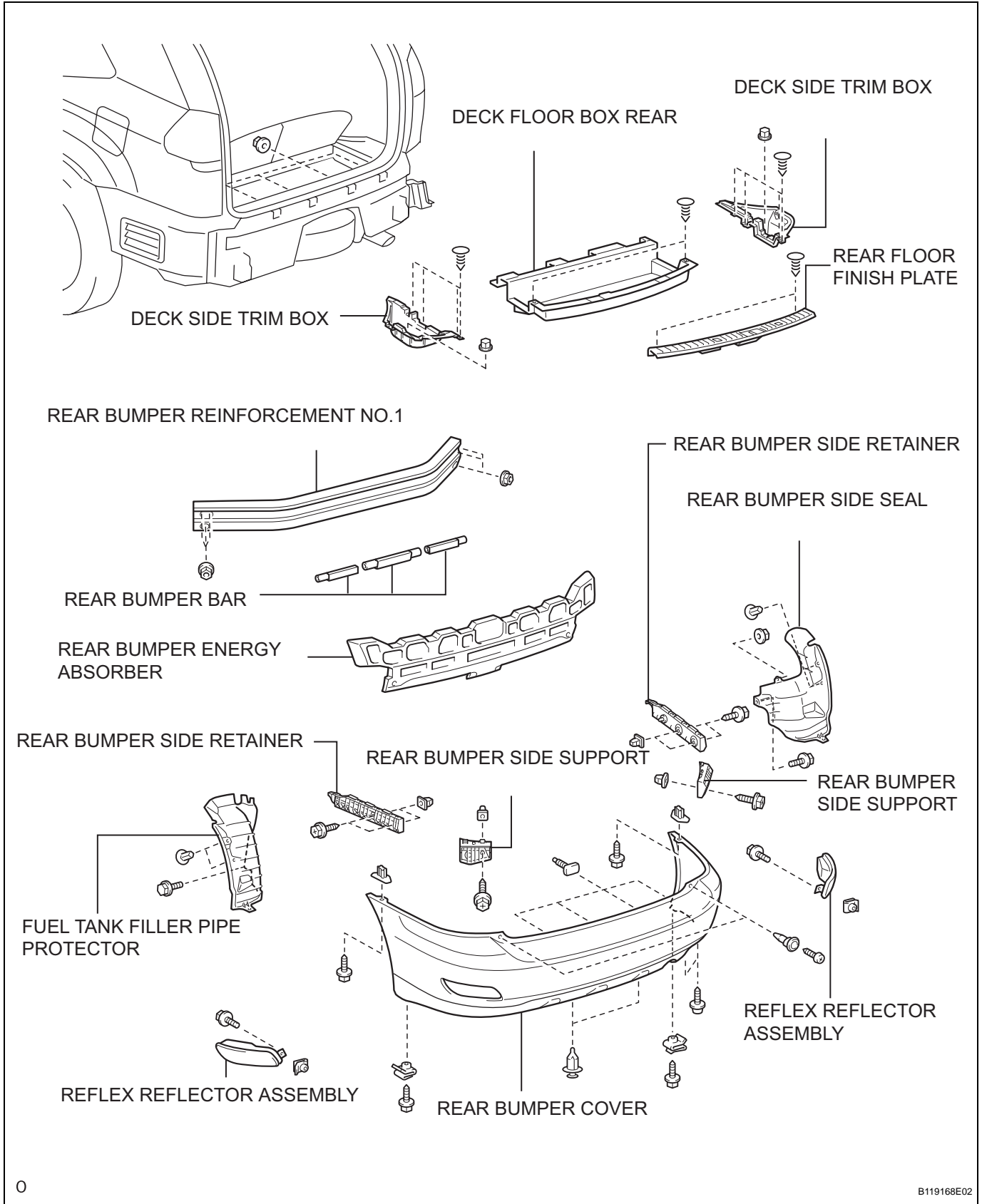
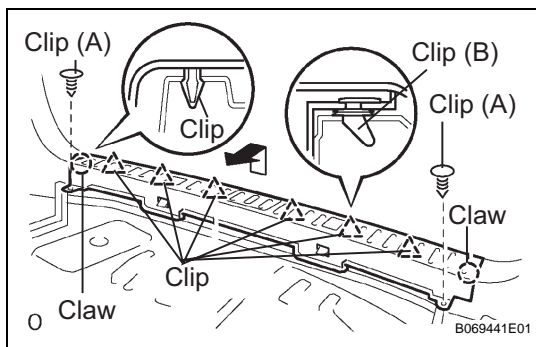


REAR BUMPER COMPONENTS





REMOVAL

1. REMOVE REAR FLOOR FINISH PLATE

- (a) Remove the 2 clips (A).
- (b) Using a screwdriver, disengage the 2 claws, 6 clips (B) and remove the finish plate.

HINT:

Tape the screwdriver tip before use.

2. REMOVE DECK FLOOR BOX REAR (See page IR-8)

3. REMOVE DECK SIDE TRIM BOX (See page IR-8)

4. REMOVE REAR BUMPER SIDE SEAL

- (a) Remove the clip, nut, bolt and side seal.

5. REMOVE FUEL TANK FILLER PIPE PROTECTOR

- (a) Remove the 2 clips, bolt and protector.

6. REMOVE REAR BUMPER COVER

- (a) Put protective tape under the quarter panel.
- (b) Remove the 2 clips and nuts.
- (c) With Air suspension system:
Remove the 6 screws.
- (d) Without Air suspension system:
Remove the 4 screws.
- (e) Using a screwdriver, disengage the 10 claws and remove the bumper cover.

HINT:

Tape the screwdriver tip before use.

