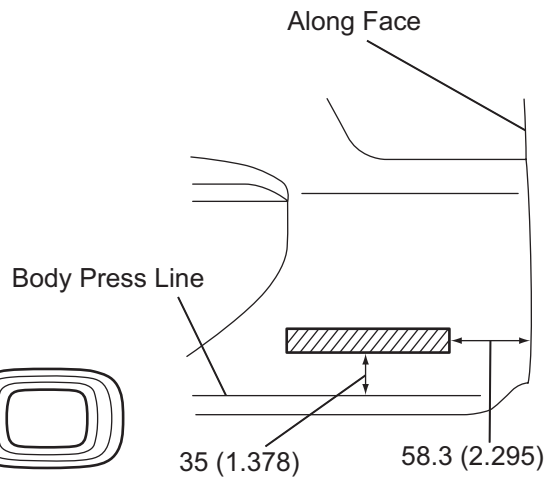
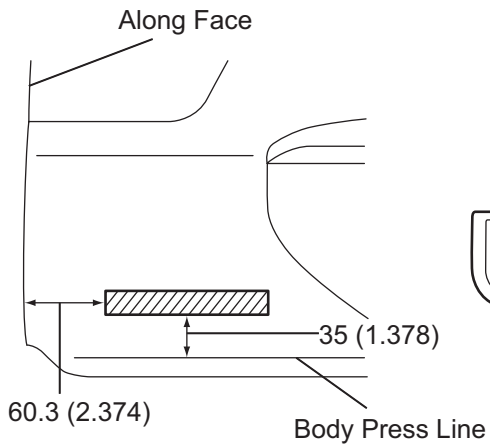
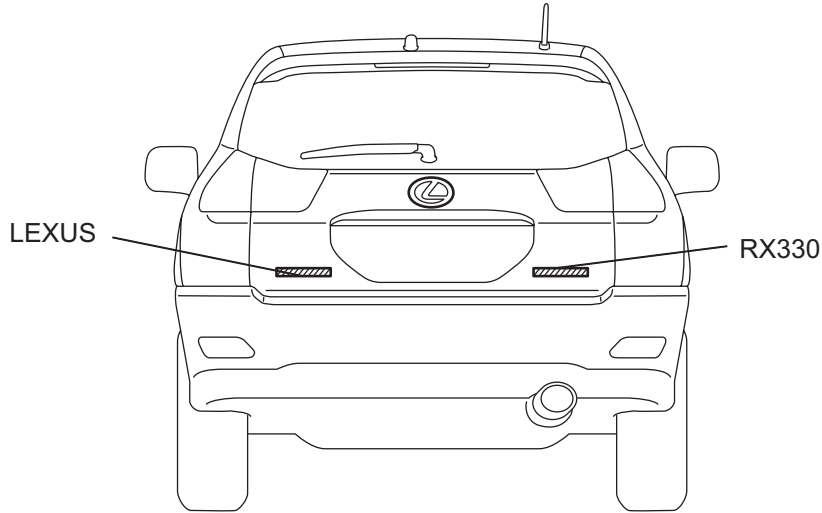


# NAME PLATE

## REPLACEMENT

### 1. INSTALL NAME PLATE



mm (in.)