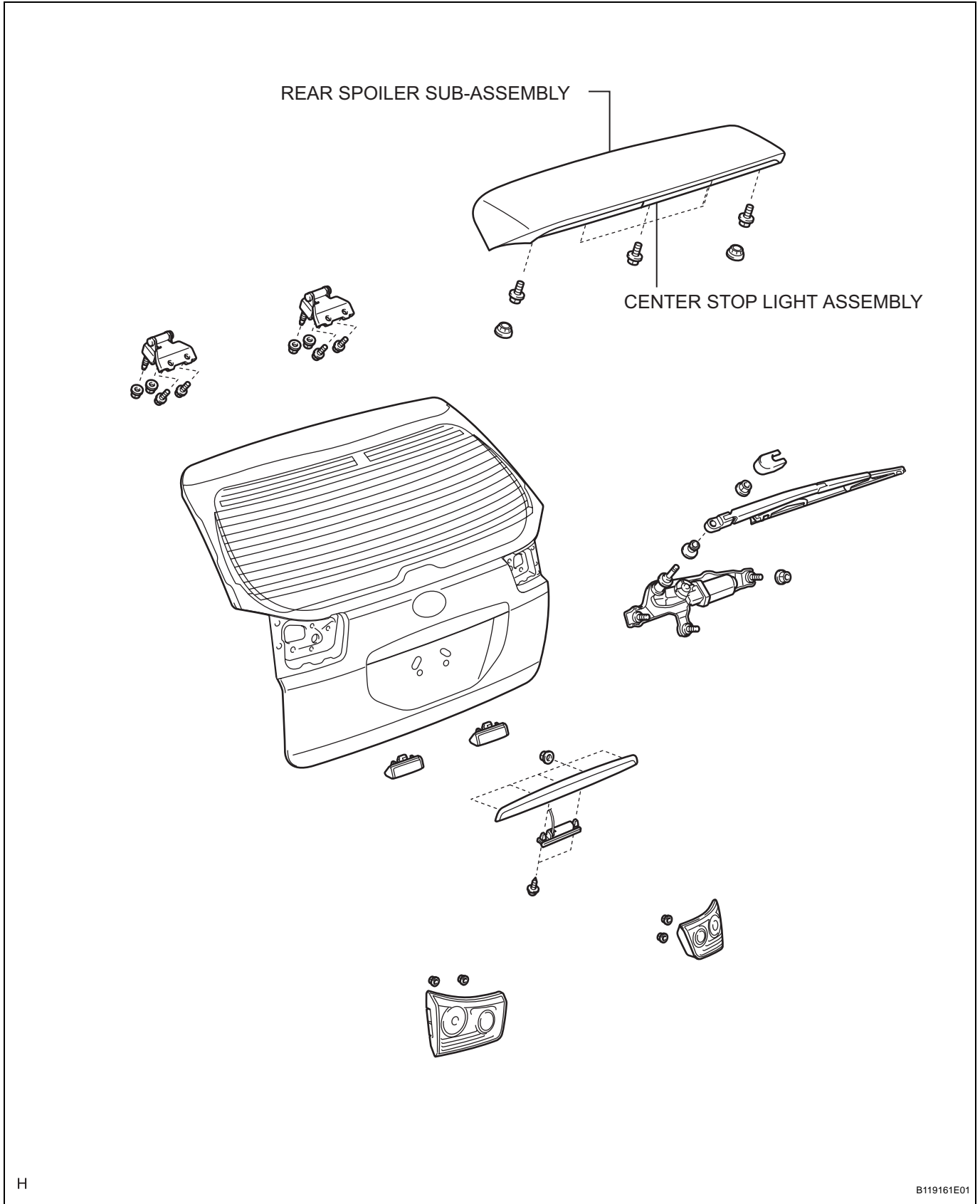
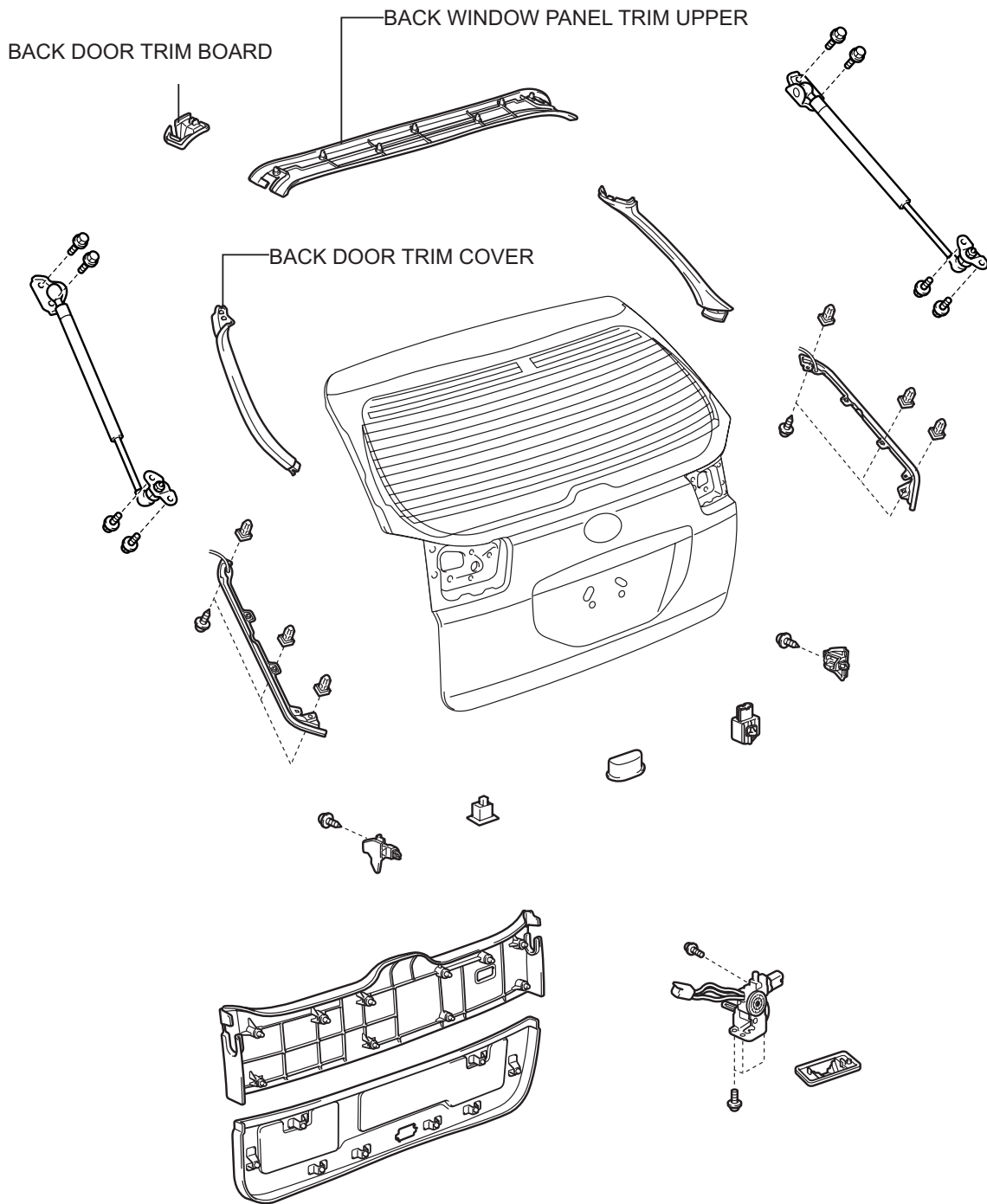
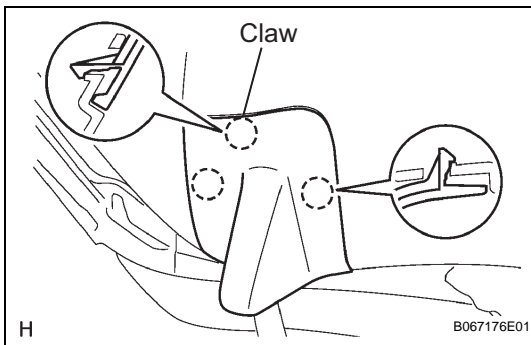


REAR SPOILER COMPONENTS



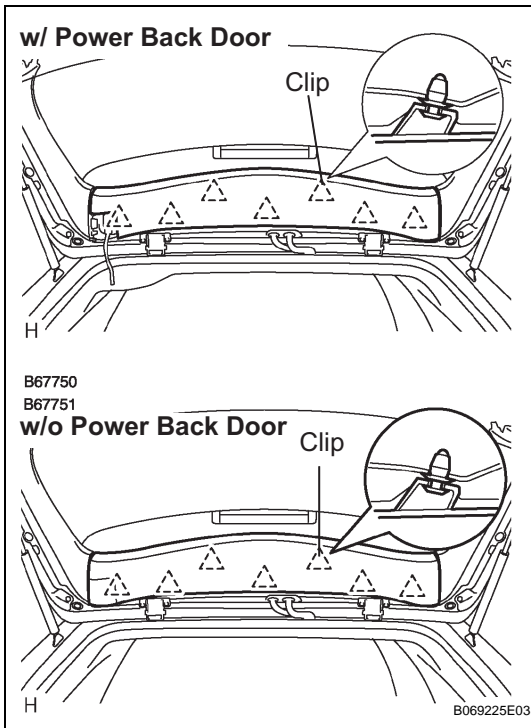


REMOVAL**1. REMOVE BACK DOOR TRIM BOARD (w/ Power Back Door)**

- (a) Using a screwdriver, disengage the 3 claws and remove the trim board.

HINT:

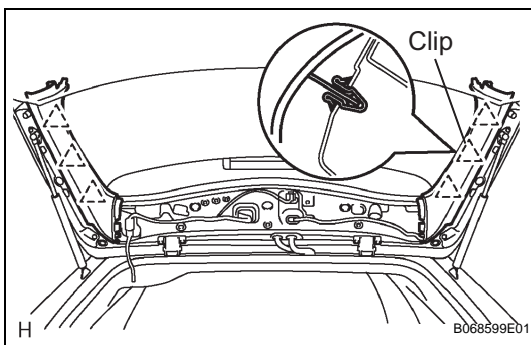
Tape the screwdriver tip before use.

**2. REMOVE BACK WINDOW PANEL TRIM UPPER**

- (a) Using a screwdriver, disengage the 7 clips and remove the trim board.

HINT:

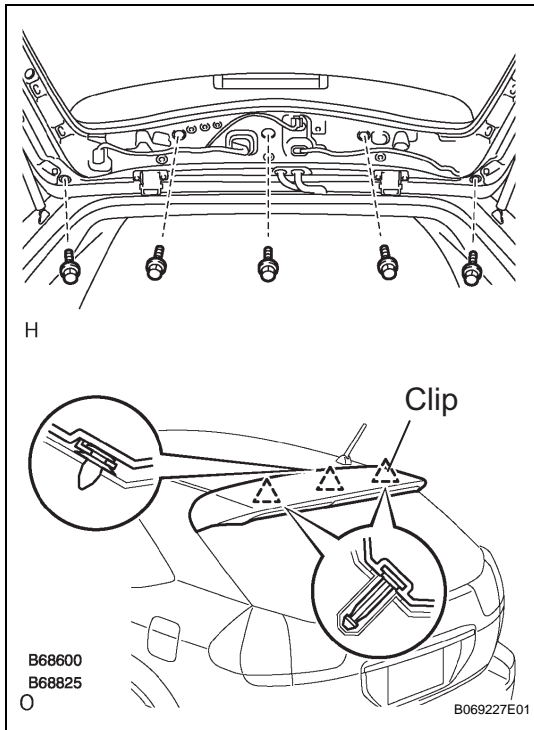
Tape the screwdriver tip before use.

**3. REMOVE BACK DOOR TRIM COVER (w/ Power Back Door)**

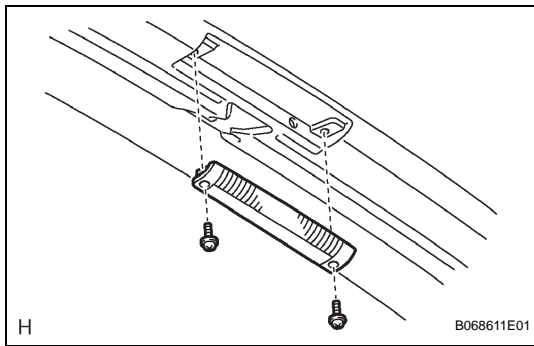
- (a) Using a screwdriver, disengage the 3 clips and trim cover.

HINT:

Tape the screwdriver tip before use.

**4. REMOVE REAR SPOILER SUB-ASSEMBLY**

- (a) Remove 5 bolts.
- (b) Disconnect the stop light connector.
- (c) Remove 3 clips and rear spoiler.

**5. REMOVE CENTER STOP LIGHT ASSEMBLY**

- (a) Remove 2 screws and stop light.