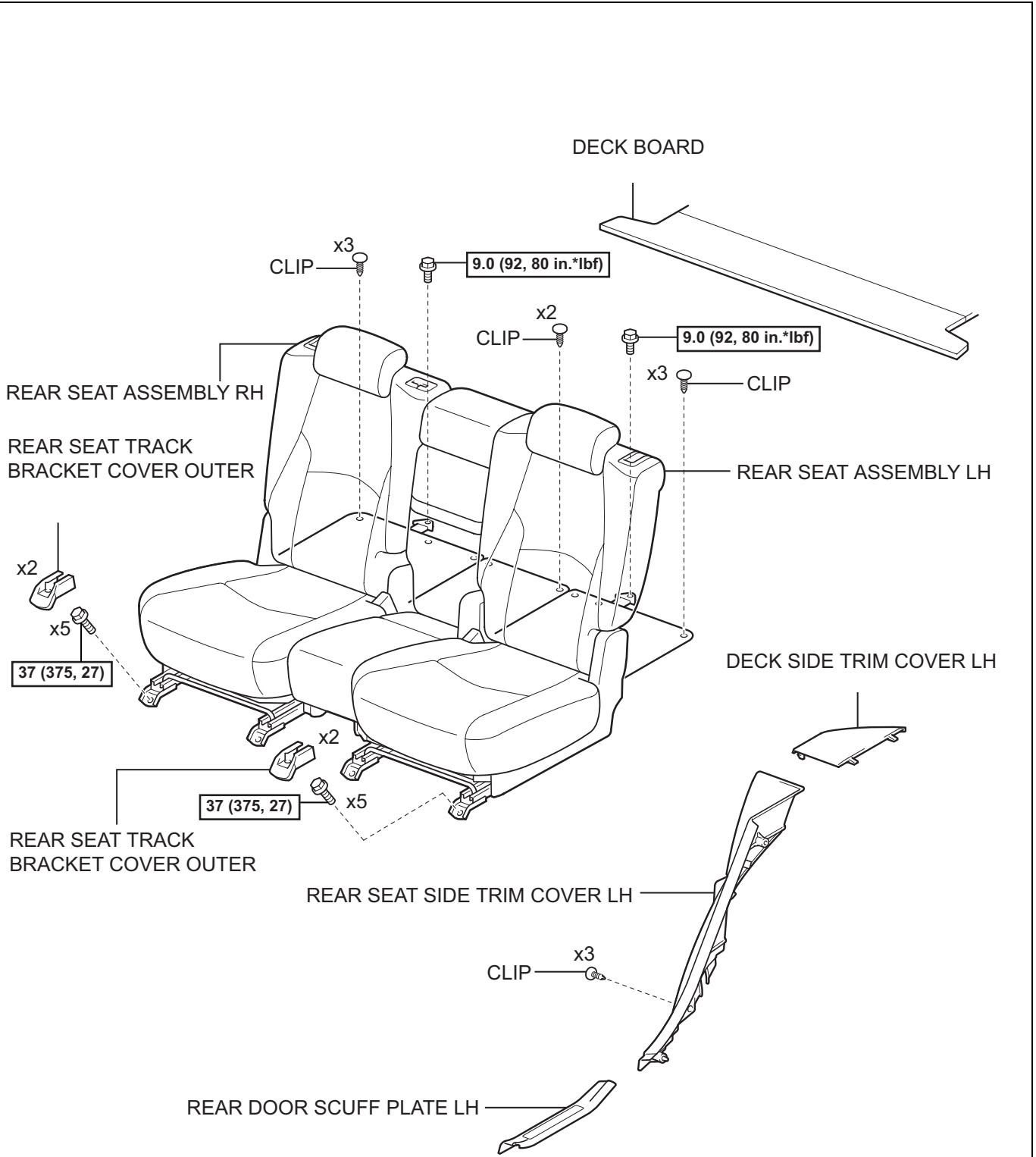


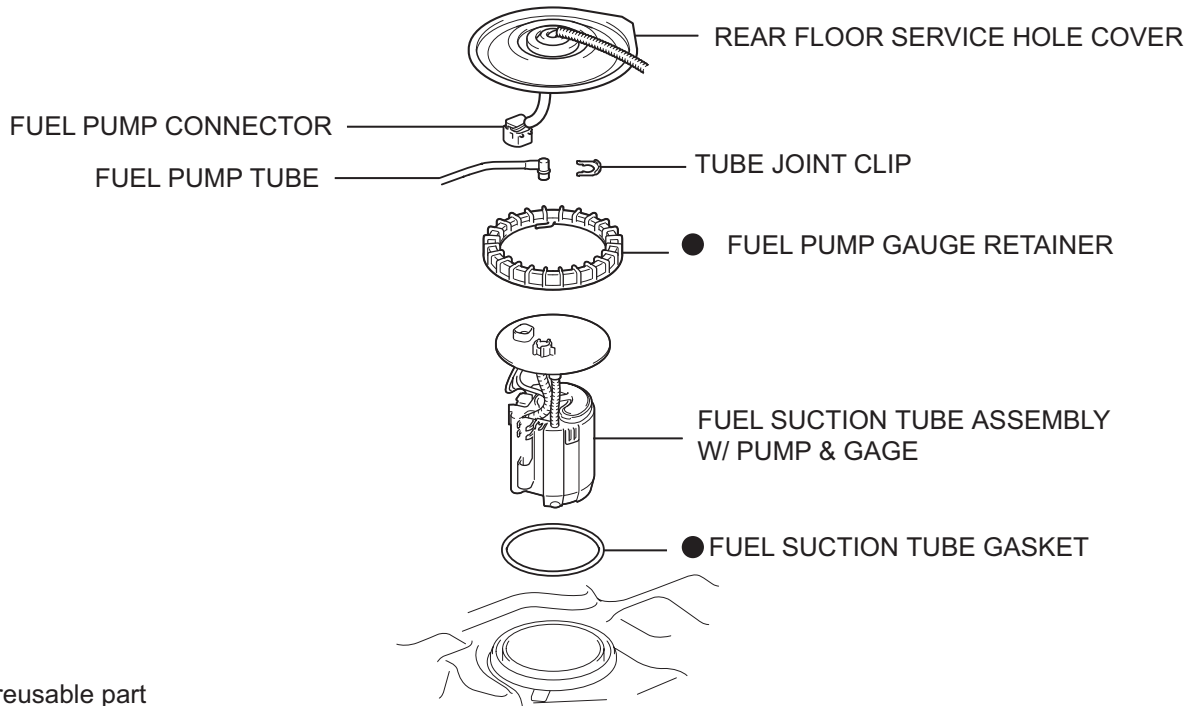
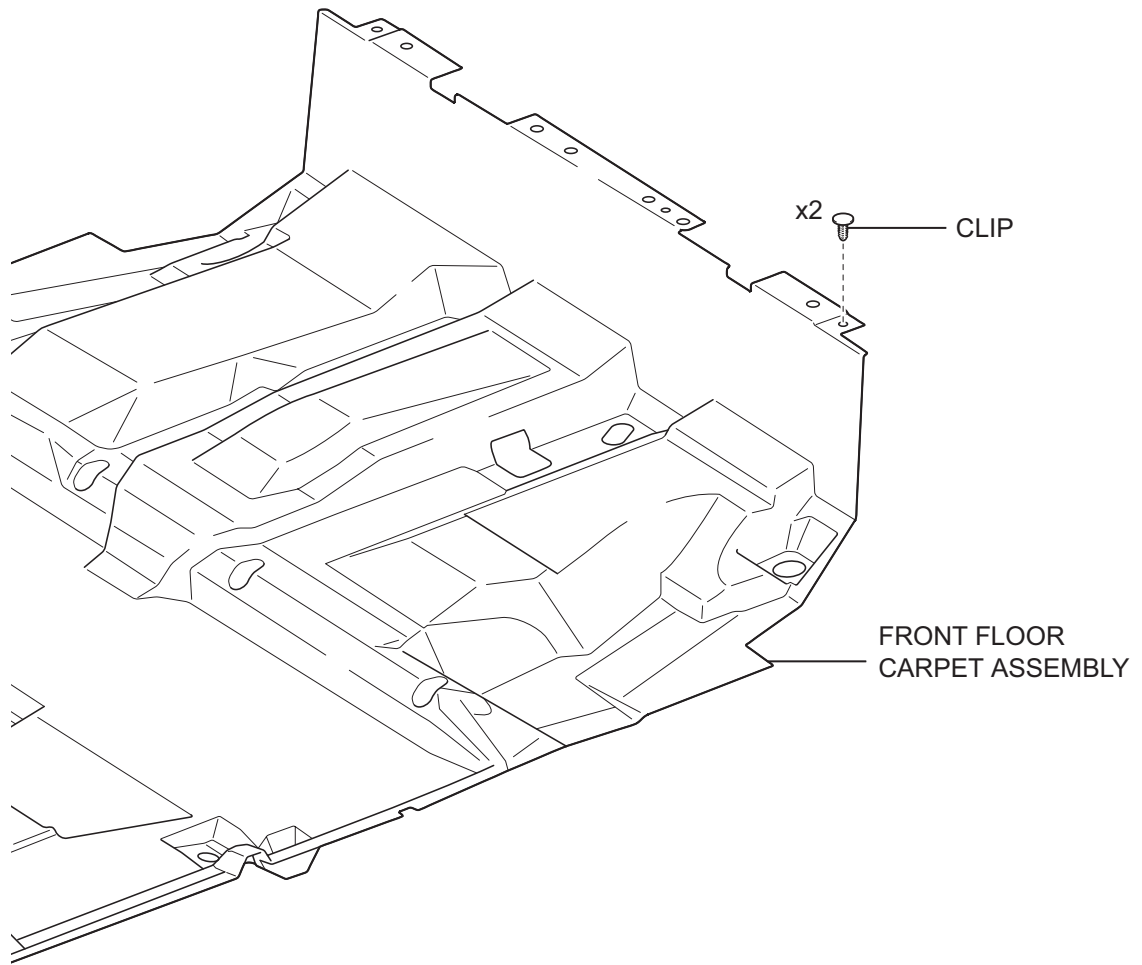
FUEL PUMP COMPONENTS

FU



N*m (kgf*cm, ft.*lbf) : Specified torque

FU



● Non-reusable part

FU

