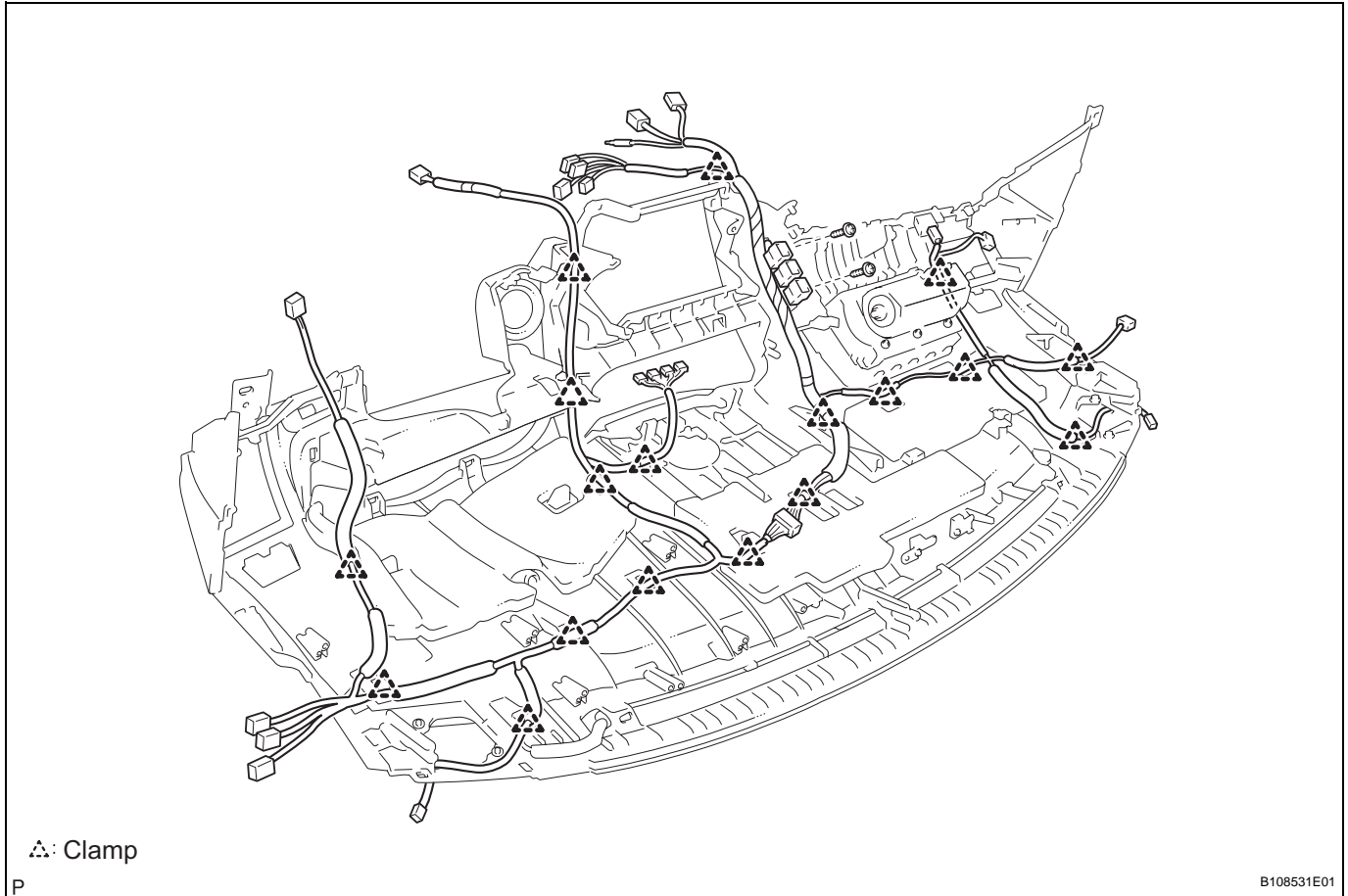
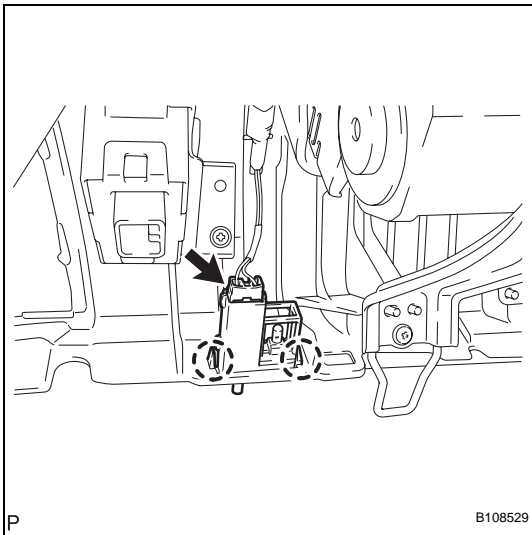


REASSEMBLY

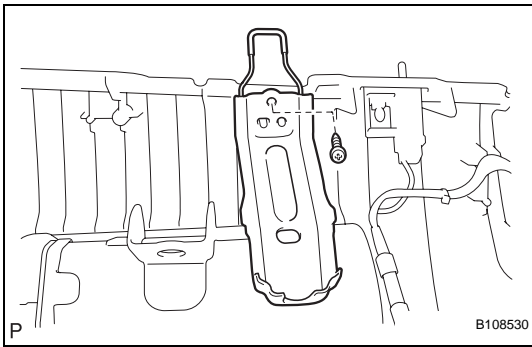
1. INSTALL FRONT PASSENGER AIRBAG ASSEMBLY
2. INSTALL AUTOMATIC LIGHT CONTROL SENSOR
3. INSTALL INSTRUMENT PANEL NO.2 WIRE
 - (a) Engage the 18 clamps.
 - (b) Install the 2 screws and the instrument panel No.2 wire.



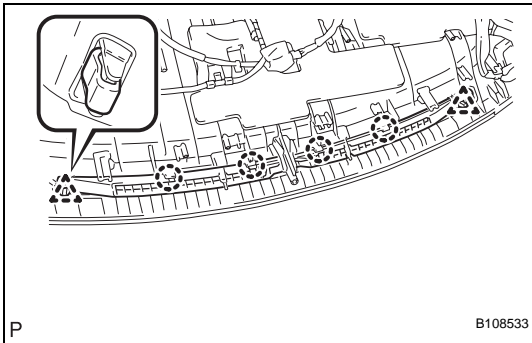
4. INSTALL NO.2 RADIO ANTENNA CORD (w/ Navigation System) (See page [AV-278](#))
5. INSTALL NO.2 RADIO ANTENNA CORD (w/o Navigation System) (See page [AV-279](#))



- 6. INSTALL GLOVE BOX LIGHT ASSEMBLY**
- (a) Engage the 2 claws and install the glove box light assembly.
 - (b) Connect the connector.

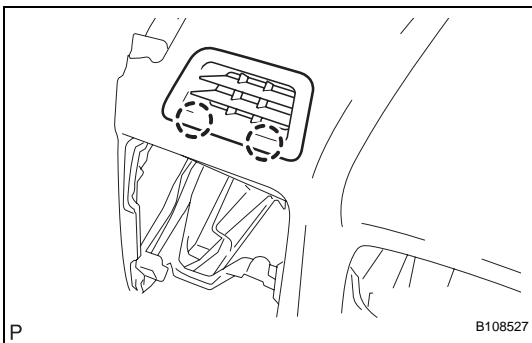


- 7. INSTALL INSTRUMENT PANEL BRACKET SUB-ASSEMBLY CENTER**
- (a) Install the screw <C> and the instrument panel bracket sub-assembly center.



- 8. INSTALL DEFROSTER NOZZLE NO.1 GARNISH**
- (a) Engage the 2 clips and 4 claws then install the defroster nozzle No.1 garnish.

- 9. INSTALL NETWORK GATEWAY ECU**
- (a) Install the screw <C> and the network gateway ECU.

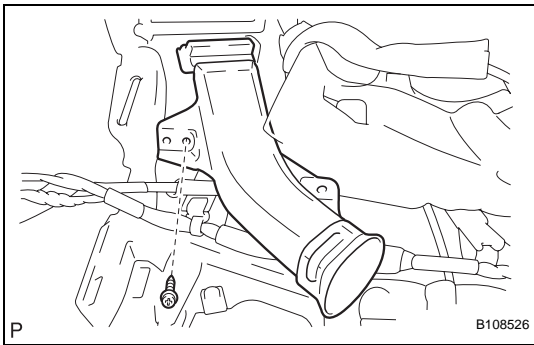


- 10. INSTALL SIDE DEFROSTER NO.1 NOZZLE**
- (a) Engage the 2 claws and install the side defroster No.1 nozzle.

11. INSTALL SIDE DEFROSTER NO.2 NOZZLE

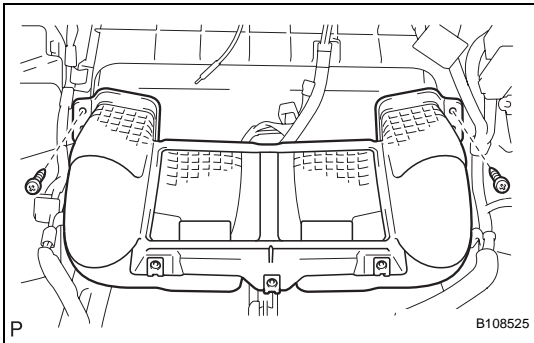
HINT:

Use the same procedures for the side defroster No.2 nozzle and the side defroster No.1 nozzle

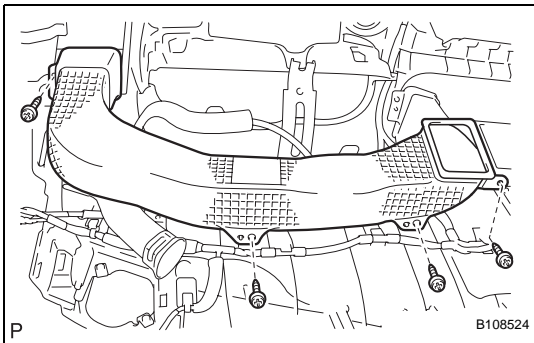


- 12. INSTALL SIDE DEFROSTER NO.1 NOZZLE DUCT**
 (a) Install the screw <C> and the side defroster No.1 nozzle duct.

- 13. INSTALL SIDE DEFROSTER NO.2 NOZZLE DUCT**
HINT:
 Use the same procedures for the side defroster No.2 nozzle duct and the side defroster No.1 nozzle duct.

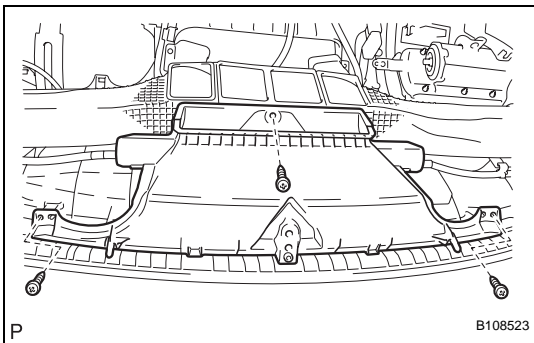


- 14. INSTALL HEATER TO REGISTER CENTER SUB DUCT**
 (a) Install the 2 screws <C> and the heater to register center sub duct.

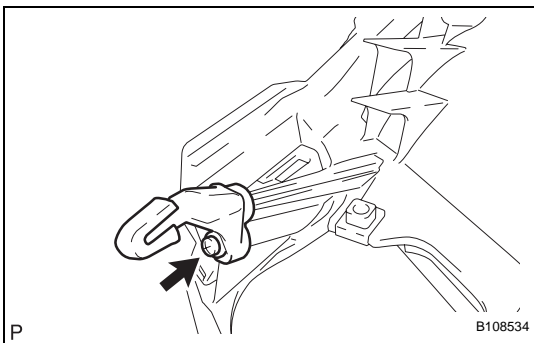


- 15. INSTALL HEATER TO REGISTER NO.1 DUCT**
 (a) Install the 4 screws <C> and the heater to register No.1 duct.

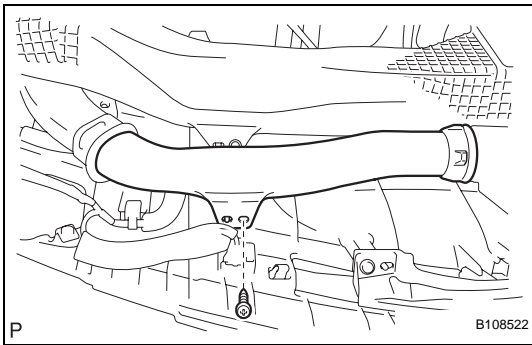
- 16. INSTALL HEATER TO REGISTER NO.4 DUCT**
HINT:
 Use the same procedures for the heater to register No.4 duct and the heater to register No.1 duct.



- 17. INSTALL DEFROSTER NOZZLE ASSEMBLY**
 (a) Install the 3 screws <C> and the defroster nozzle assembly.



- 18. INSTALL INSTRUMENT PANEL NO.1 PIN**
 (a) Install the screw <C> and the instrument panel No.1 pin.



- 19. INSTALL SIDE DEFROSTER NO.3 NOZZLE DUCT**
 (a) Install the screw <C> and the side defroster No.3 nozzle duct.

- 20. INSTALL SIDE DEFROSTER NO.4 NOZZLE DUCT**
HINT:
 Use the same procedures for the side defroster No.4 nozzle duct and the side defroster No.3 nozzle duct.

- 21. INSTALL FRONT NO.2 SPEAKER (for Driver Side)**
 (See page [AV-246](#))

- 22. INSTALL FRONT NO.2 SPEAKER (for Front Passenger Side)**

HINT:

Use the same procedures for the driver side and passenger side.

- 23. INSTALL FRONT NO.2 SPEAKER (w/ Mark Levinson Speaker System) (See page [AV-244](#))**

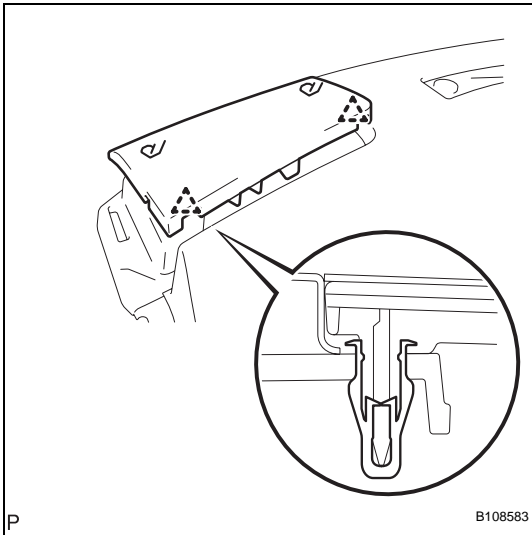
- 24. INSTALL INSTRUMENT PANEL NO.1 SPEAKER PANEL SUB-ASSEMBLY**

- (a) Engage the 2 clips and install the instrument panel No.1 speaker panel sub-assembly.

- 25. INSTALL INSTRUMENT PANEL NO.2 SPEAKER PANEL SUB-ASSEMBLY**

HINT:

Use the same procedures for the instrument panel No.2 speaker panel sub-assembly and the instrument panel No.1 speaker panel sub-assembly.



- 26. INSTALL SPEAKER HOLE NO.1 COVER (w/ Mark Levinson Speaker System)**

- (a) Engage the 4 clips and install the speaker hole No.1 cover.

