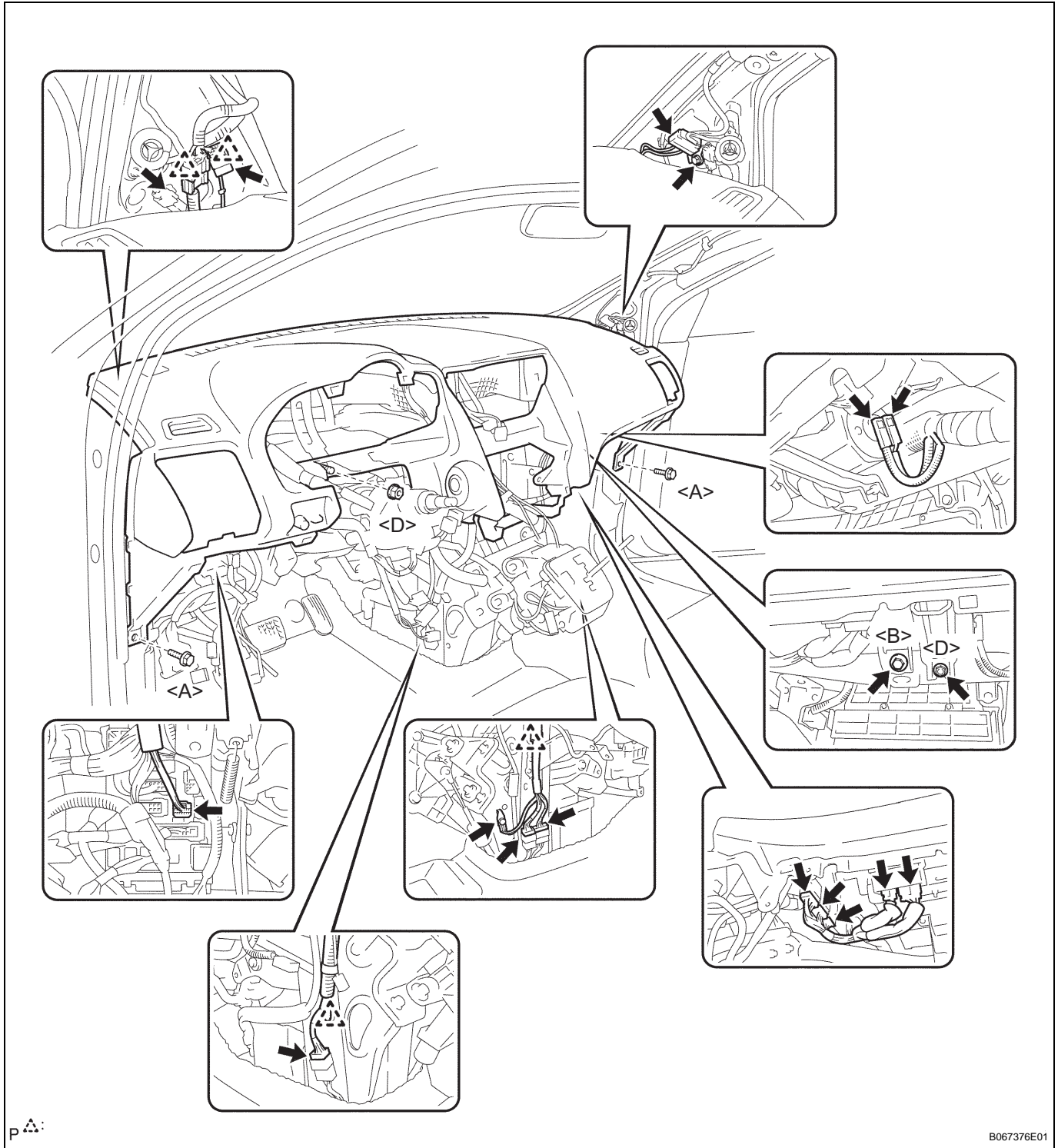


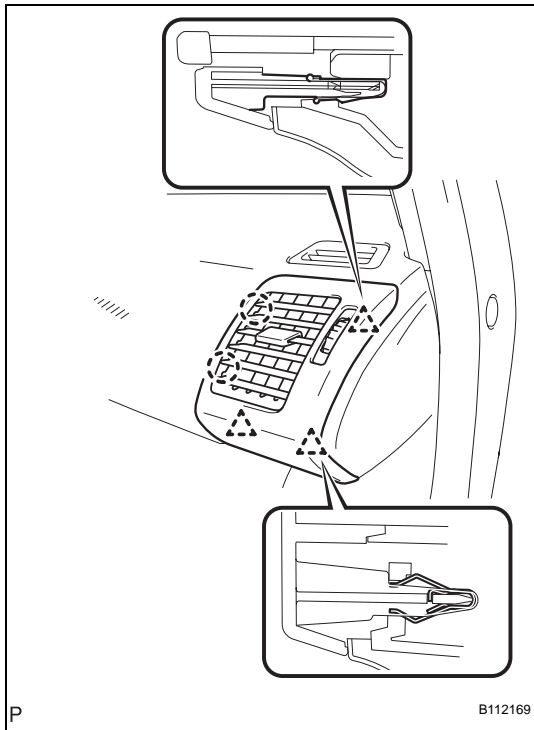
INSTALLATION

1. INSTALL INSTRUMENT PANEL ASSEMBLY

- (a) Connect each of the clamps and connectors.
- (b) Install the 2 bolts <A>, bolt and 2 nuts <D> as shown in the illustration below, then install the instrument panel assembly.

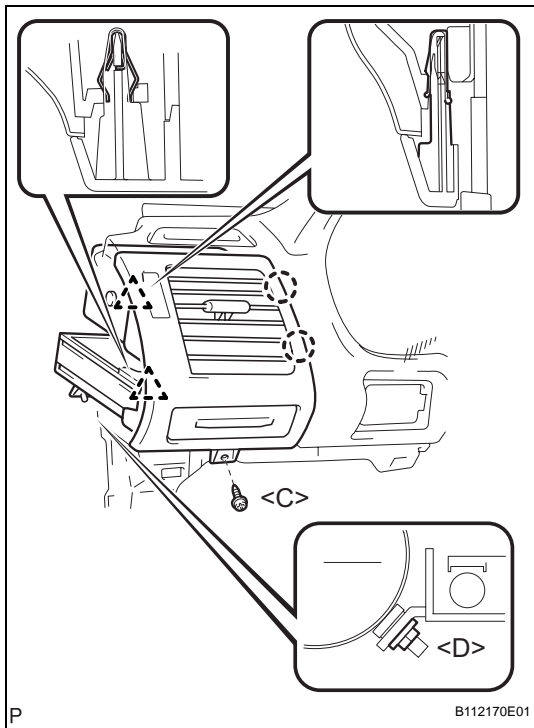


Torque: 20 N*m (204 kgf*cm, 15 ft.*lbf) (Bolt)



2. INSTALL INSTRUMENT PANEL NO.1 REGISTER ASSEMBLY LOWER

- (a) Engage the 3 clips and 2 claws, and install the instrument panel No.1 register assembly lower.



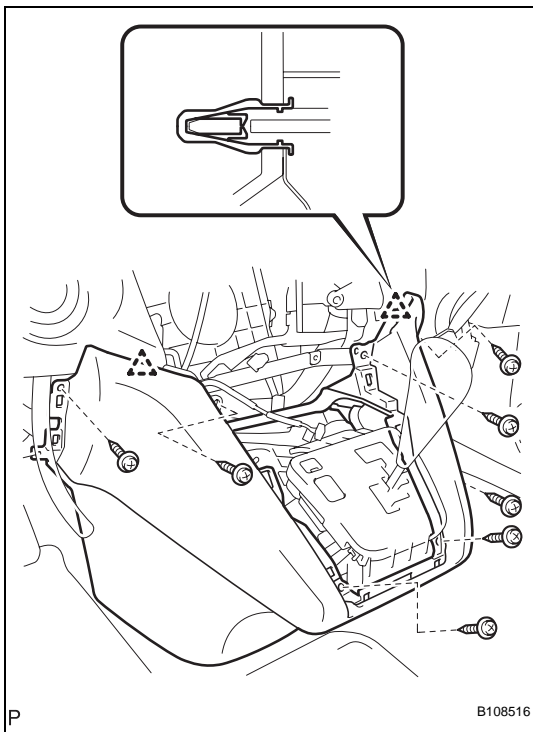
3. INSTALL INSTRUMENT PANEL NO.1 REGISTER ASSEMBLY

- (a) Engage the 2 clips and 2 claws.
 (b) Install the screw <C>, nut <D>, and the instrument panel No.1 register assembly.

4. INSTALL INSTRUMENT PANEL FINISH PLATE

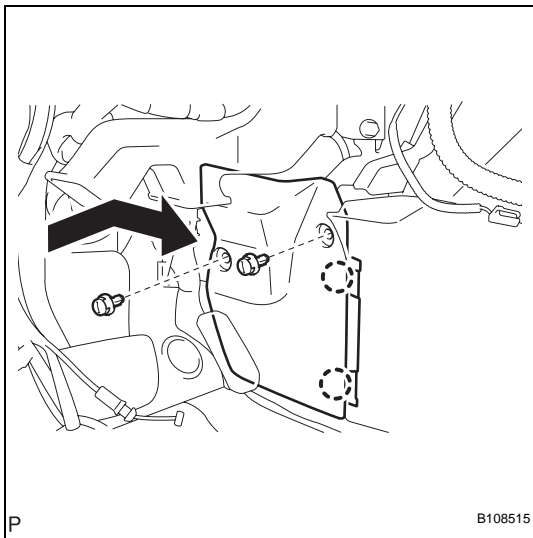
5. INSTALL FRONT PILLAR GARNISH LH

6. INSTALL FRONT PILLAR GARNISH RH



7. INSTALL INSTRUMENT PANEL FINISH PANEL LOWER CENTER

- (a) Engage the 2 clips.
- (b) Install the 7 screws <C> and the instrument panel finish panel lower center.

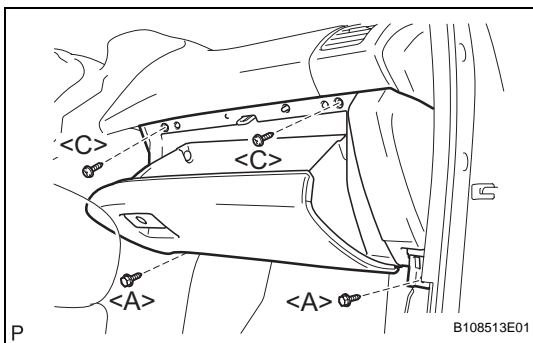


8. INSTALL FLOOR CARPET COVER CENTER LH

- (a) Slide the floor carpet cover center LH to the rear of the vehicle, and engage the 2 claws to the instrument panel finish panel lower center at the floor carpet cover center LH.
- (b) Install the 2 clips and the floor carpet cover center LH.

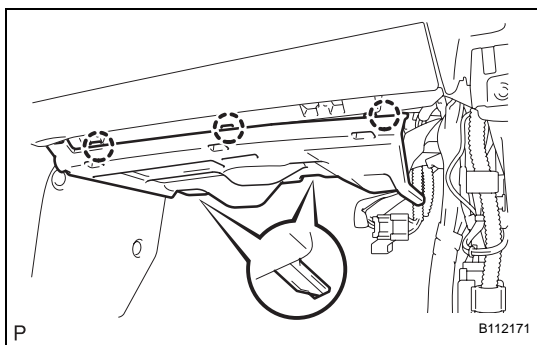
9. INSTALL FLOOR CARPET COVER CENTER RH

- HINT:**
Use the same procedures for the RH side and the LH side.



10. INSTALL GLOVE COMPARTMENT DOOR ASSEMBLY

- (a) Connect the connector.
- (b) Install the 2 bolts <A>, the 2 screws <C>, and the glove compartment door assembly.



11. INSTALL INSTRUMENT PANEL NO.2 UNDER COVER SUB-ASSEMBLY

- (a) Connect the connectors.
- (b) Engage the 3 claws and install the instrument panel No.2 under cover sub-assembly.

12. INSTALL COWL SIDE TRIM SUB-ASSEMBLY RH

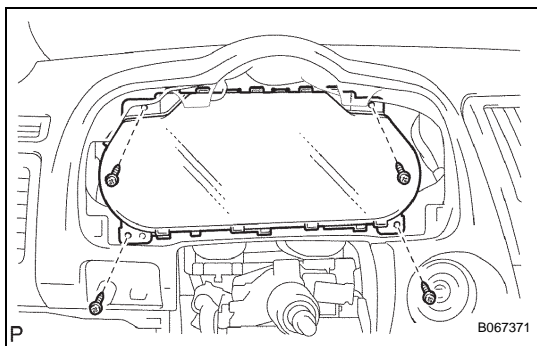
HINT:

Use the same procedures for the RH side and the LH side.

13. INSTALL FRONT DOOR SCUFF PLATE RH

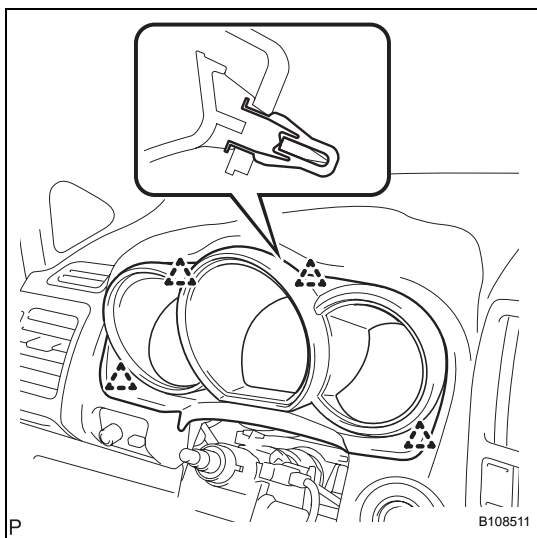
HINT:

Use the same procedures for the RH side and the LH side.



14. INSTALL COMBINATION METER ASSEMBLY

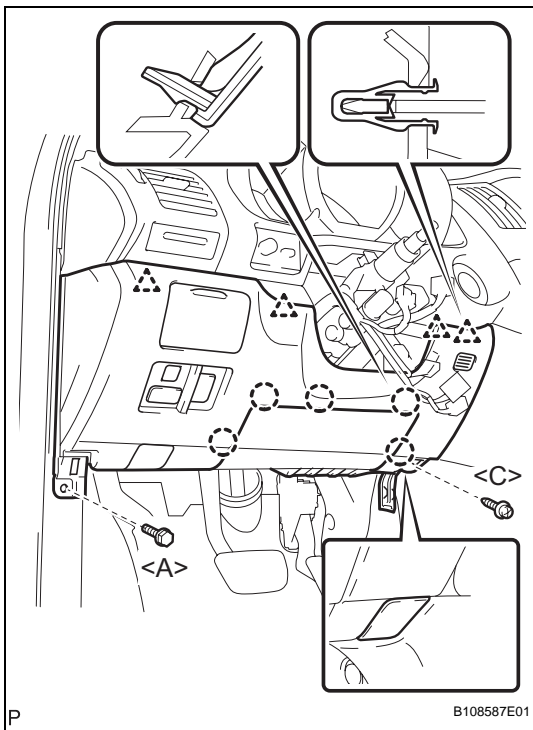
- (a) Connect the connectors.
- (b) Install the 4 screws <C> and the combination meter assembly.



15. INSTALL INSTRUMENT CLUSTER FINISH PANEL SUB-ASSEMBLY

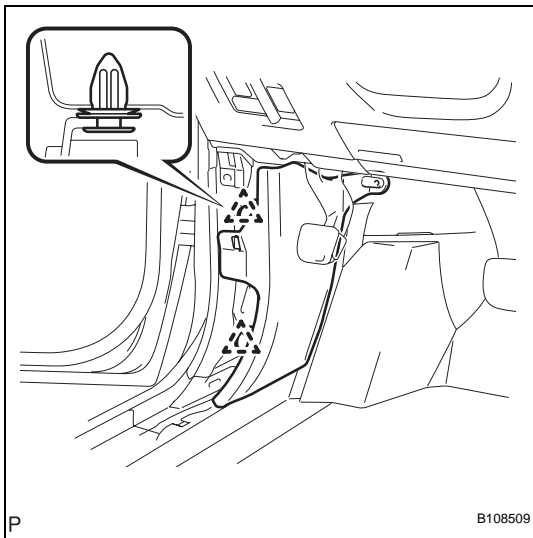
- (a) Engage the 4 clips and install the instrument cluster finish panel sub-assembly.

16. INSTALL DRIVER SIDE KNEE AIRBAG ASSEMBLY
(See page [RS-403](#))



17. INSTALL INSTRUMENT PANEL FINISH PANEL SUB-ASSEMBLY LOWER

- Connect the connectors.
- Engage the 5 claws and the 4 clips.
- Connect the hood lock control cable assembly.
- Install the bolt <A>, the screw <C>, and the instrument panel finish panel sub-assembly lower.



18. INSTALL COWL SIDE TRIM SUB-ASSEMBLY LH

- Install the 2 clips and the cowl side trim sub-assembly LH.

19. INSTALL FRONT DOOR SCUFF PLATE LH

20. INSTALL TURN SIGNAL SWITCH ASSEMBLY WITH SPIRAL CABLE SUB-ASSEMBLY

21. INSTALL TILT AND TELESCOPIC SWITCH (for Power Tilt and Power Telescopic)

22. INSTALL STEERING COLUMN COVER (See page [SR-45](#))

23. CENTER SPIRAL CABLE (See page [SR-45](#))

24. INSTALL STEERING WHEEL ASSEMBLY (See page [SR-45](#))

25. INSTALL STEERING PAD (See page [RS-388](#))

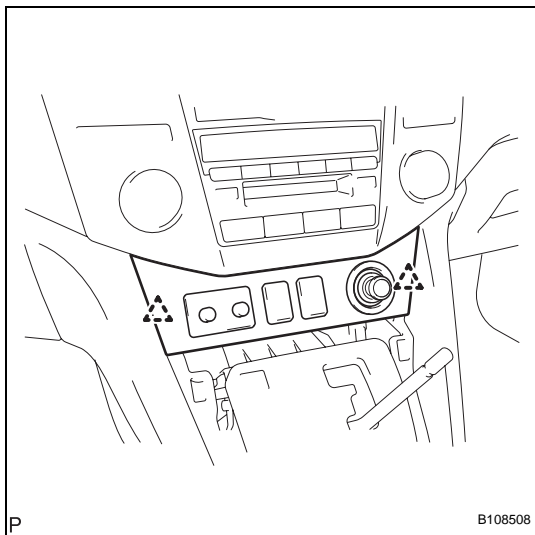
26. INSTALL STEERING WHEEL NO.3 COVER LOWER (See page [RS-389](#))

27. INSTALL STEERING WHEEL NO.2 COVER LOWER (See page [RS-389](#))

28. INSTALL MULTI-DISPLAY (w/ Navigation System) (See page [AV-235](#))

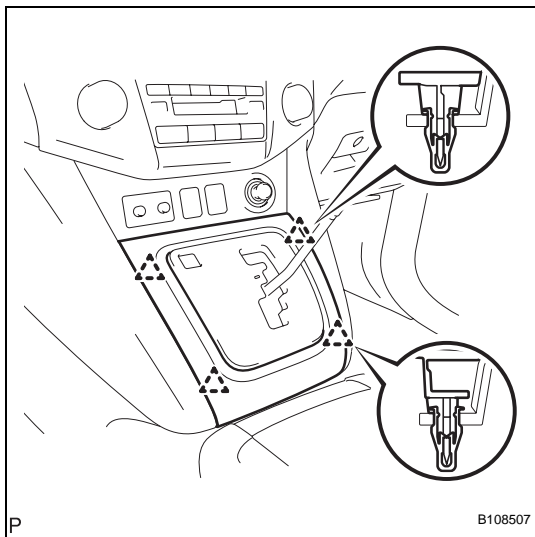
29. INSTALL CENTER CLUSTER INTEGRATION SWITCH (w/o Navigation System) (See page [AC-188](#))

30. INSTALL RADIO RECEIVER (See page [AV-232](#))



31. INSTALL INSTRUMENT PANEL FINISH PANEL LOWER

- (a) Connect the connectors.
- (b) Engage the 2 clips and install the instrument panel finish panel lower.



32. INSTALL CONSOLE PANEL UPPER FRONT

- (a) Engage the 4 clips and install the console panel upper front.

33. INSTALL SHIFT LEVER KNOB SUB-ASSEMBLY

34. CONNECT CABLE TO NEGATIVE BATTERY TERMINAL

35. PERFORM INITIALIZATION

NOTICE:

Some systems need initialization when disconnecting the cable from the negative battery terminal.

36. INSPECT STEERING PAD (See page [RS-389](#))

37. INSPECT SRS WARNING LIGHT

HINT:

(See page [RS-25](#))