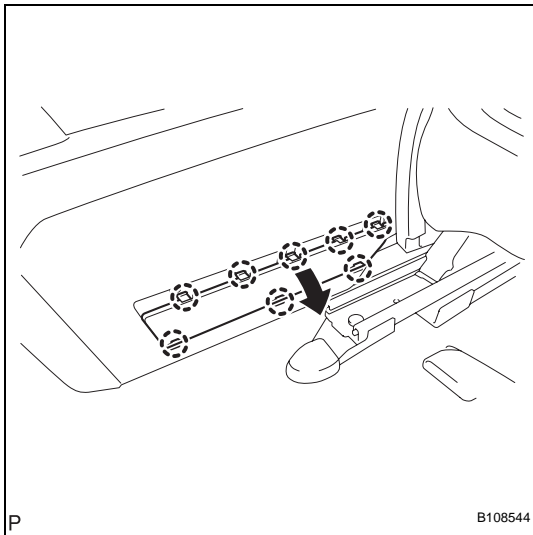


REMOVAL**1. REMOVE CONSOLE BOX HOLE COVER**

- (a) Slide the front seat assemblies RH and LH forward.
- (b) Slide the console box assembly fully to the back end and remove the console box hole cover.

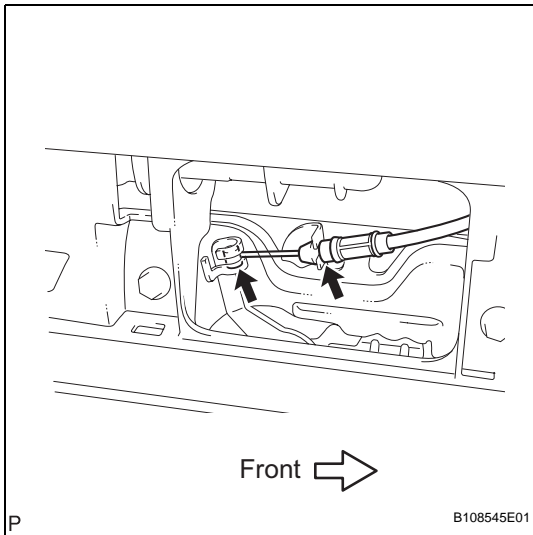
**2. REMOVE CONSOLE BOX NO.2 HOLE COVER**

HINT:

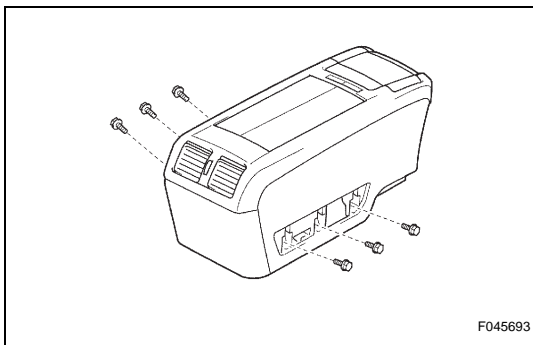
Use the same procedures for the console box No.2 hole cover and the console box hole cover.

3. REMOVE REAR CONSOLE BOX

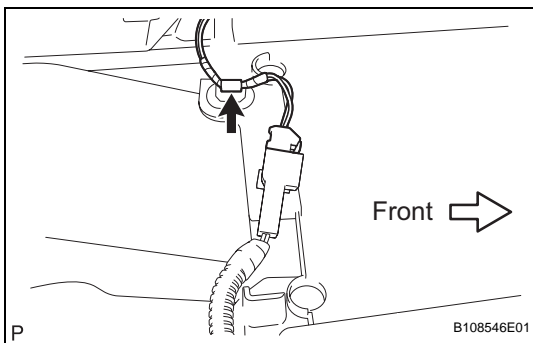
- (a) Separate the console box lock control cable assembly from the rear console box.



- (b) Keeping the rear console box pulled in the rear direction of the vehicle, remove the 6 bolts from the left and right sides.



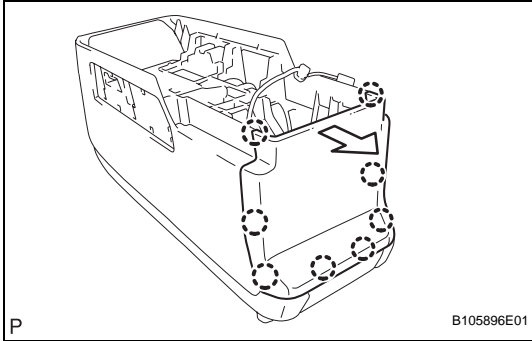
- (c) Disconnect each of the clamp and connector.
- (d) Remove the rear console box.



DISASSEMBLY

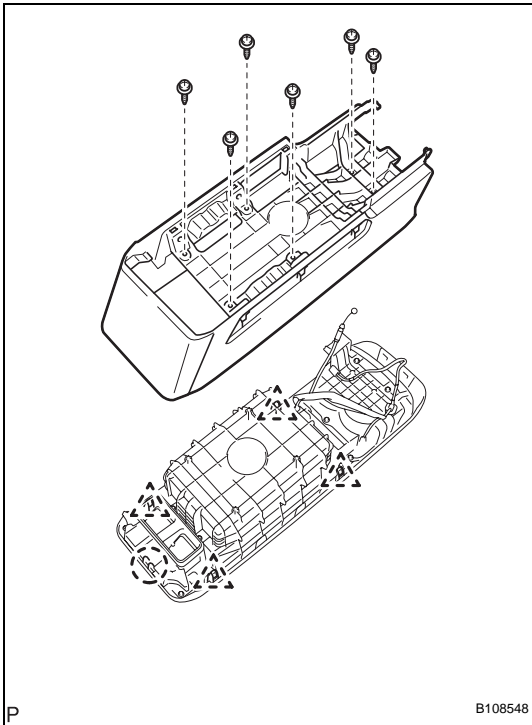
1. REMOVE CONSOLE BOX CUP HOLDER

- (a) Remove the console box cup holder.



2. REMOVE BOX NO.1 SIDE PANEL

- (a) Disengage the 8 claws and remove the box No.1 side panel.

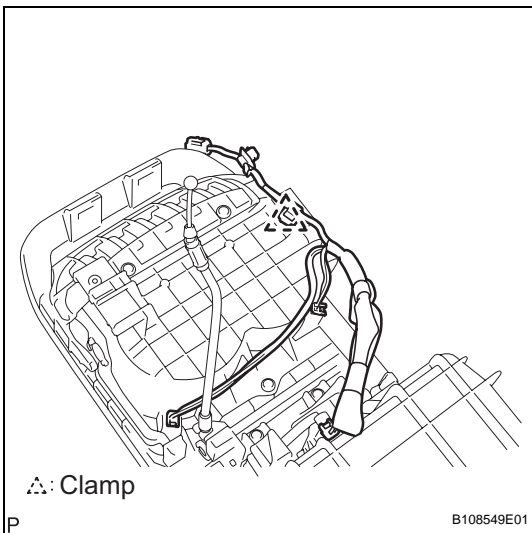


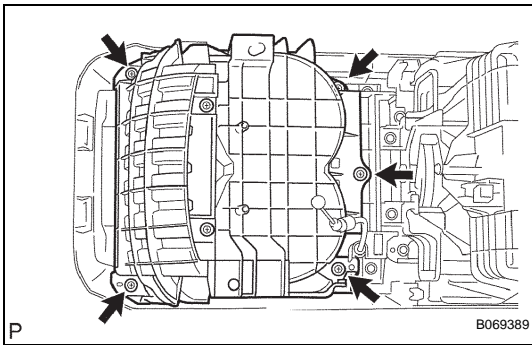
3. REMOVE REAR CONSOLE BOX LOWER

- (a) Remove the 6 screws.
 (b) Disengage the 4 clips and the claw, and remove the rear console box lower.

4. REMOVE CONSOLE BOX LIGHT SUB-ASSEMBLY

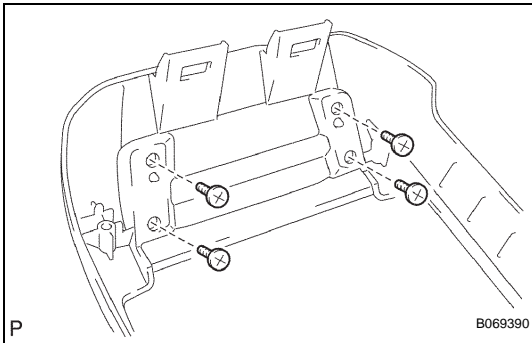
- (a) Disconnect each of the clamp and connectors, and remove the console box light sub-assembly.





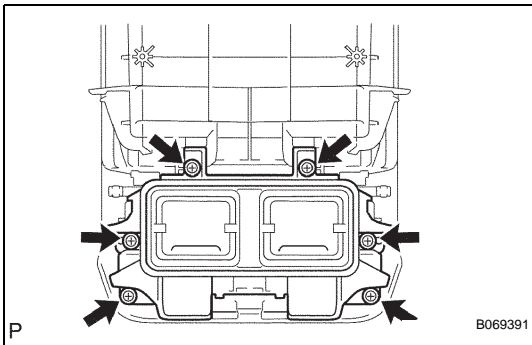
5. REMOVE REAR CONSOLE BOX HOLDER CUP

- (a) Remove the 5 screws and the rear console box holder cup.



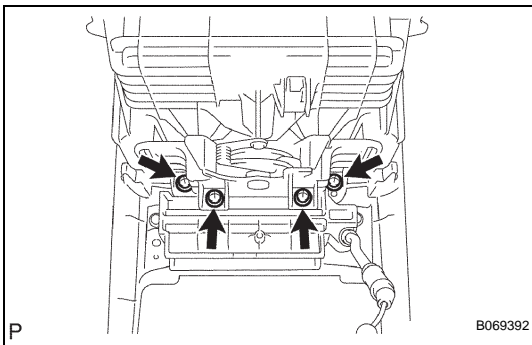
6. REMOVE CONSOLE UPPER PANEL GARNISH FRONT

- (a) Remove the 4 screws and the console upper panel garnish front.



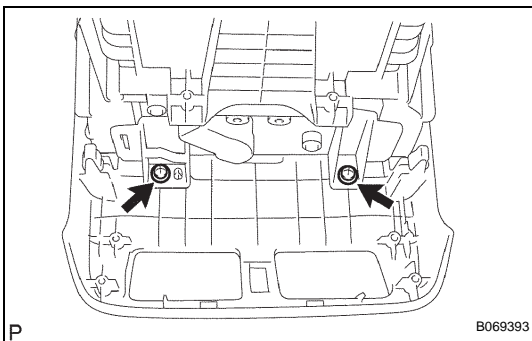
7. REMOVE CONSOLE BOX REGISTER ASSEMBLY

- (a) Remove the 6 screws and the console box register assembly.

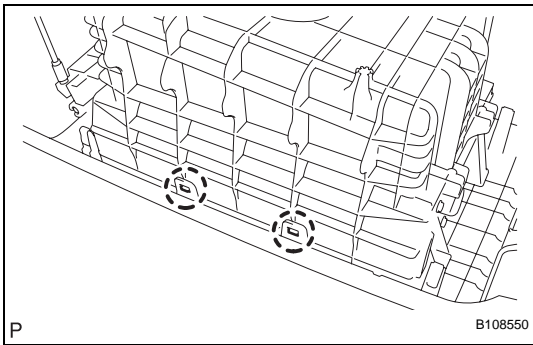


8. REMOVE CONSOLE BOX SUB-ASSEMBLY UPPER

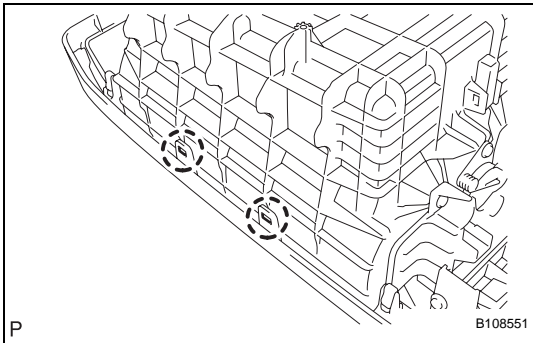
- (a) Remove the 4 screws.



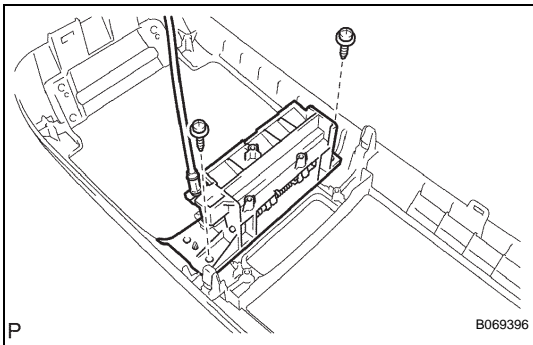
- (b) Remove the 2 screws.



(c) Disengage the 2 claws.

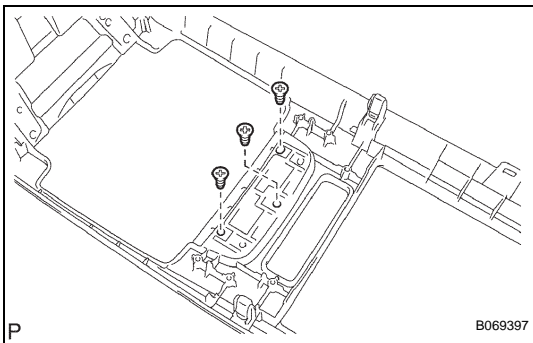


(d) Disengage the 2 claws and remove the console box sub-assembly upper.



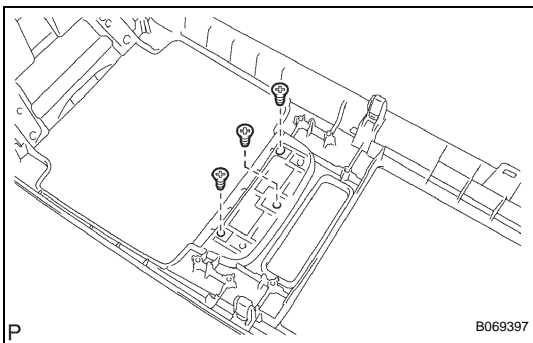
9. REMOVE CONSOLE COMPARTMENT DOOR LOCK

(a) Remove the 2 screws and the console compartment door lock.



10. REMOVE CONSOLE UPPER PANEL GARNISH REAR

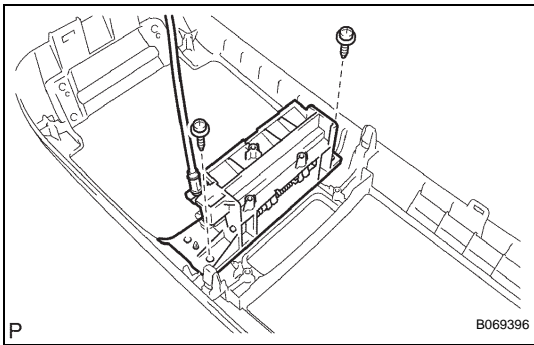
(a) Remove the 3 screws and the console upper panel garnish rear.



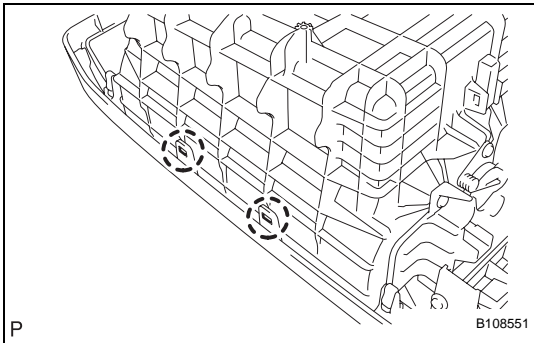
REASSEMBLY

1. INSTALL CONSOLE UPPER PANEL GARNISH REAR

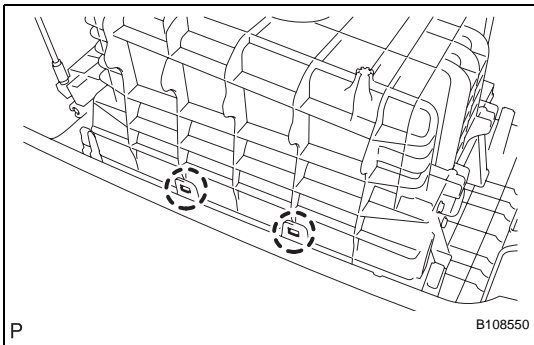
(a) Install the 3 screws and the console upper panel garnish rear.



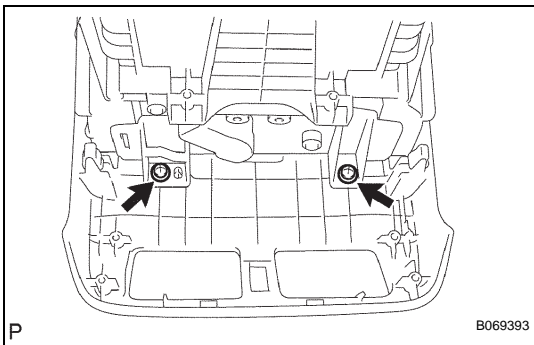
- 2. INSTALL CONSOLE COMPARTMENT DOOR LOCK**
 (a) Install the 2 screws and the console compartment door lock.



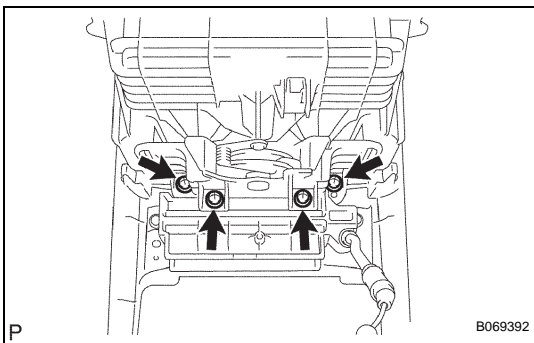
- 3. INSTALL CONSOLE BOX SUB-ASSEMBLY UPPER**
 (a) Engage the 2 claws.



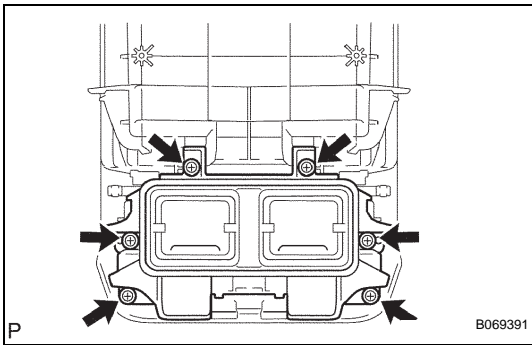
- (b) Engage the 2 claws.



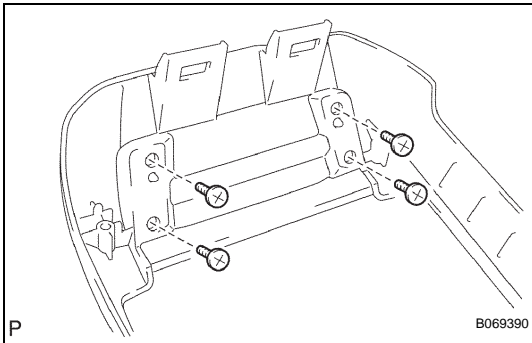
- (c) Install the 2 screws.



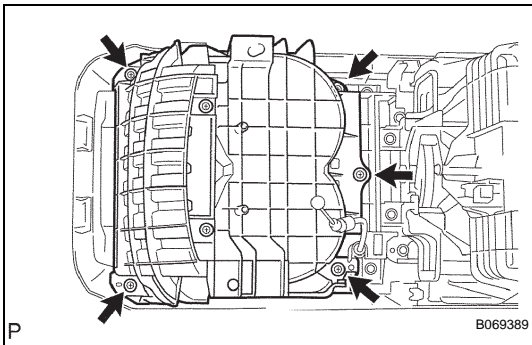
- (d) Install the 4 screws and the console box sub-assembly upper.



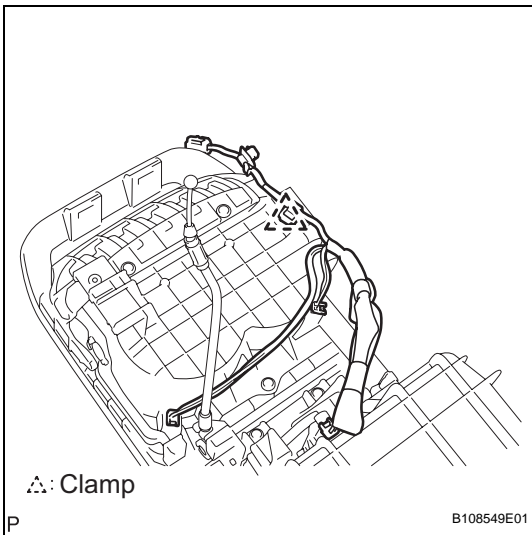
- 4. INSTALL CONSOLE BOX REGISTER ASSEMBLY**
 (a) Install the 6 screws and the console box register assembly.



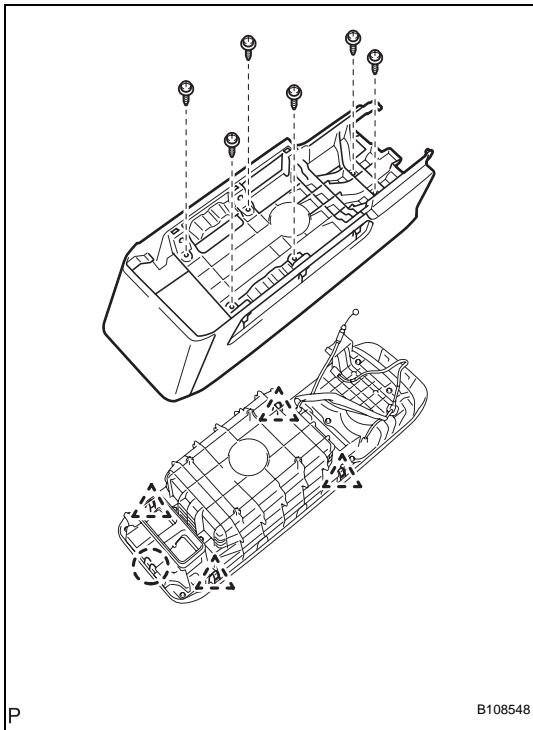
- 5. INSTALL CONSOLE UPPER PANEL GARNISH FRONT**
 (a) Install the 4 screws and the console upper panel garnish front.



- 6. INSTALL REAR CONSOLE BOX HOLDER CUP**
 (a) Install the 5 screws and the rear console box holder cup.

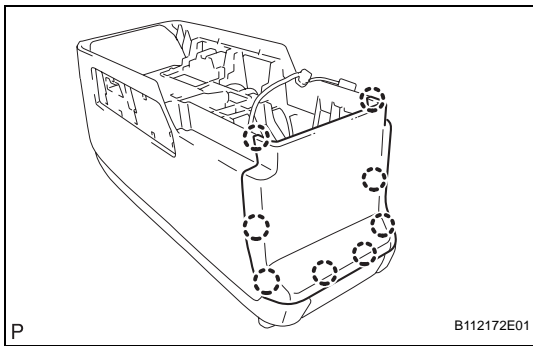


- 7. INSTALL CONSOLE BOX LIGHT SUB-ASSEMBLY**
 (a) Connect each of the clamp and connectors, and install the console box light sub-assembly.



8. INSTALL REAR CONSOLE BOX LOWER

- (a) Engage the 4 clips and the claw.
- (b) Install the 6 screws and the rear console box lower.

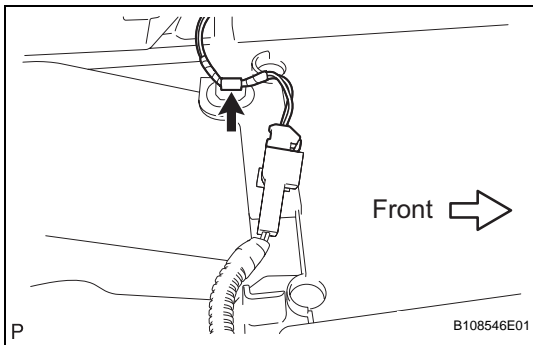


9. INSTALL BOX NO.1 SIDE PANEL

- (a) Engage the 8 claws and install the box No.1 side panel.

10. INSTALL CONSOLE BOX CUP HOLDER

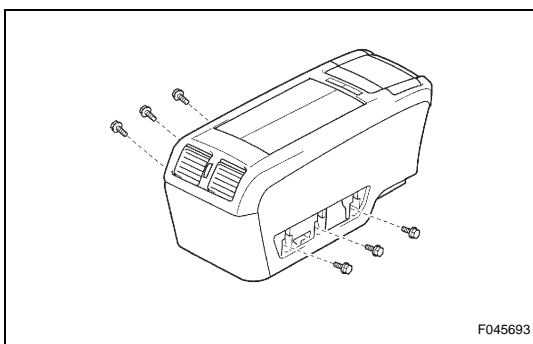
- (a) Install the console box cup holder.



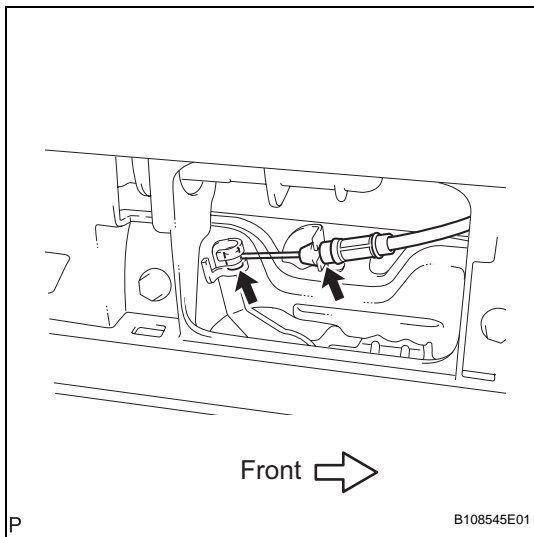
INSTALLATION

1. INSTALL REAR CONSOLE BOX

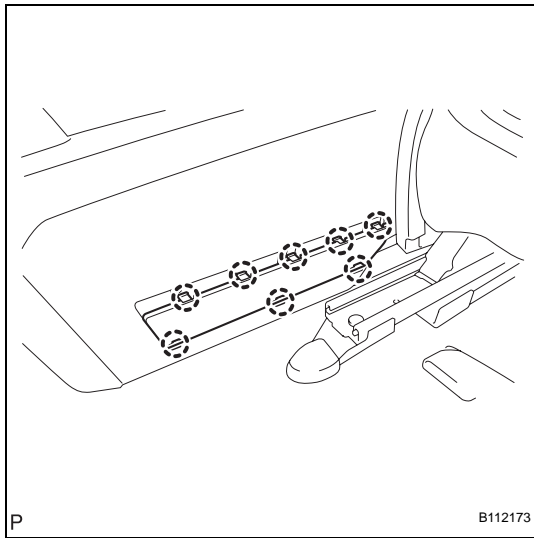
- (a) Connect each of the clamp and the connector.



- (b) Keeping the rear console box pulled in the rear direction of the vehicle, install the 6 bolts to the left and right sides.



- (c) Connect the console box lock control cable assembly and install the rear console box.



2. INSTALL CONSOLE BOX HOLE COVER

- (a) Slide the front seat assemblies RH and LH forward.
(b) Slide the rear console box fully to the back end and install the console box hole cover.

3. INSTALL CONSOLE BOX NO.2 HOLE COVER

HINT:

Use the same procedures for the console box No.2 hole cover and the console box hole cover.