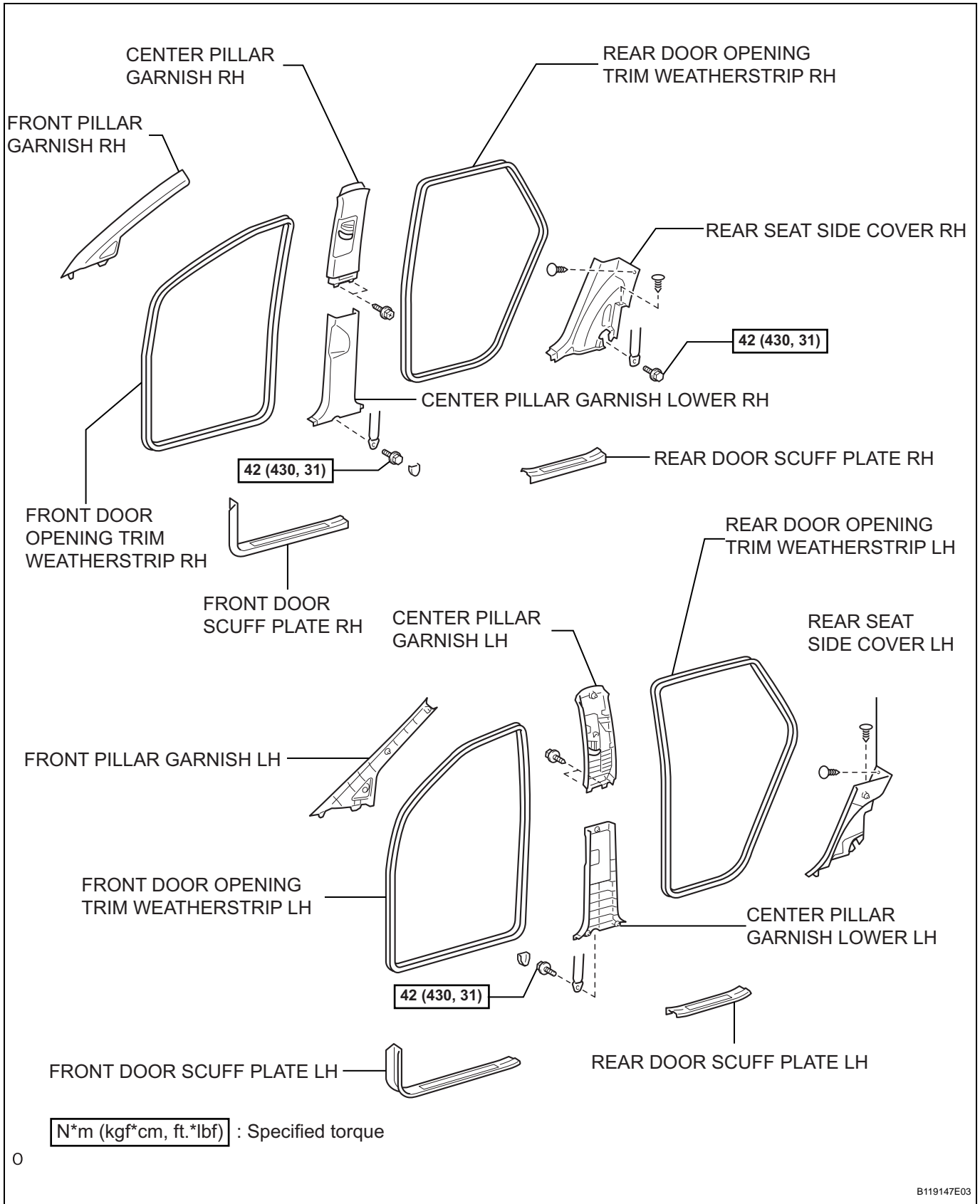


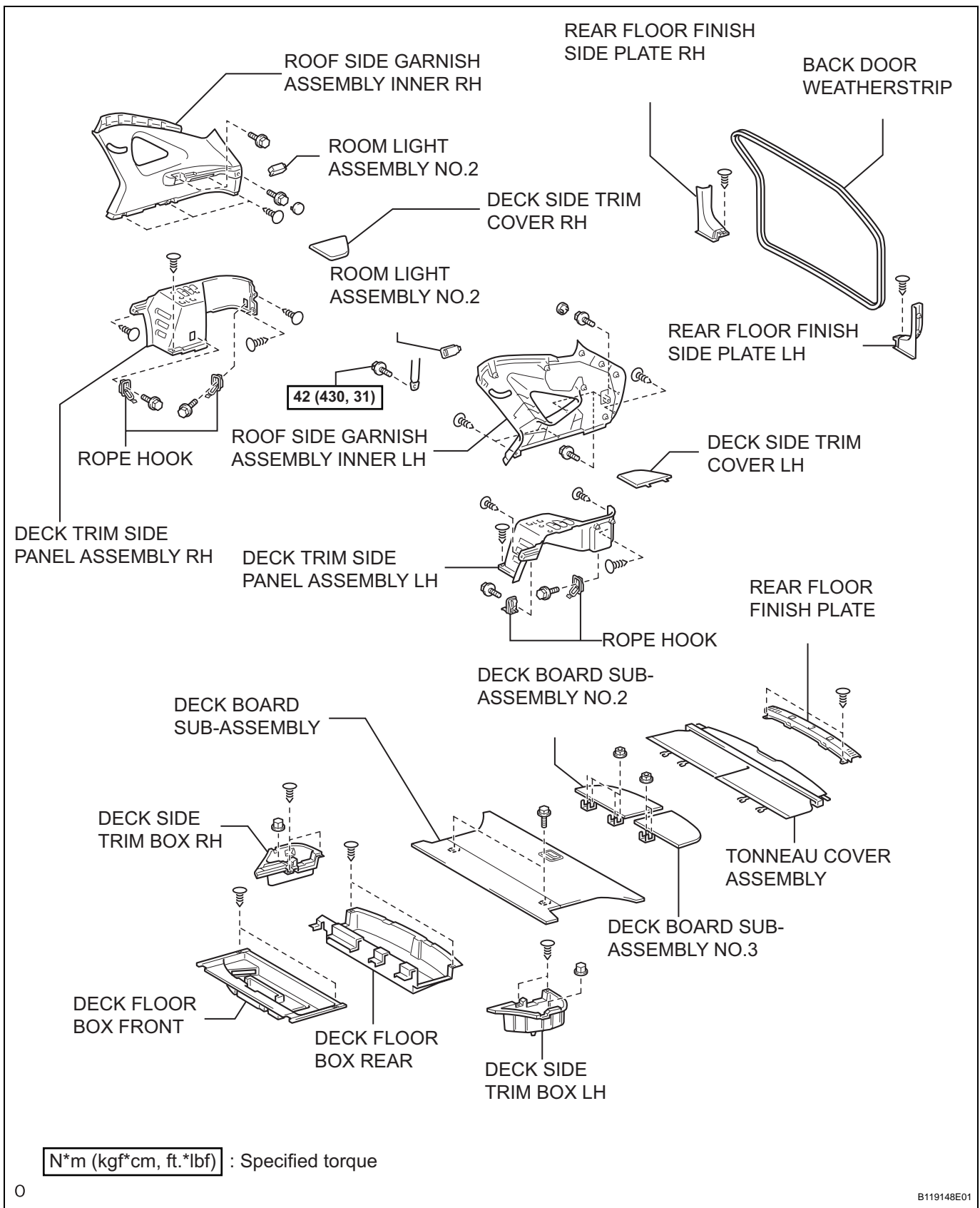
ROOF HEADLINING

COMPONENTS

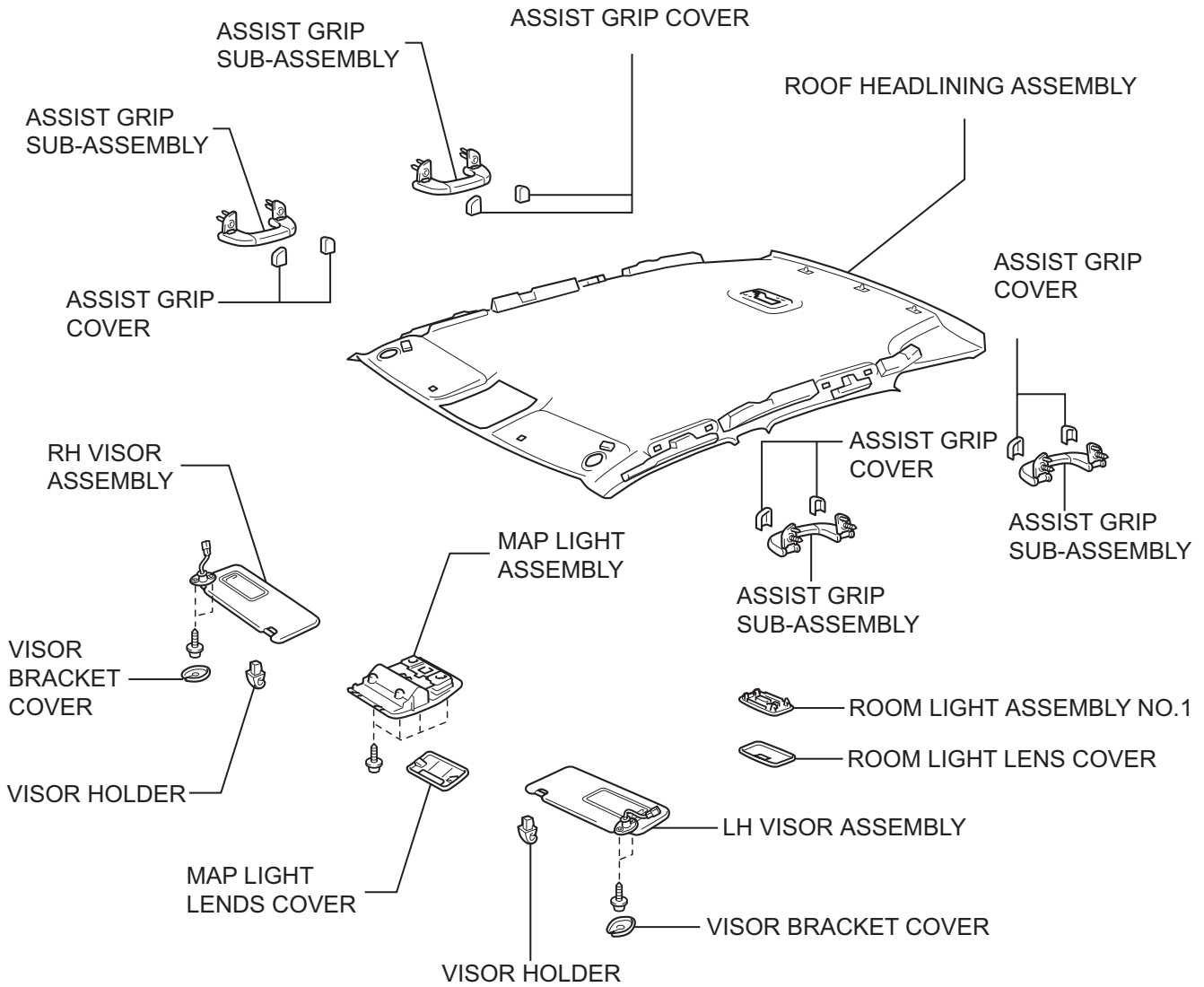


N*m (kgf*cm, ft.*lbf) : Specified torque

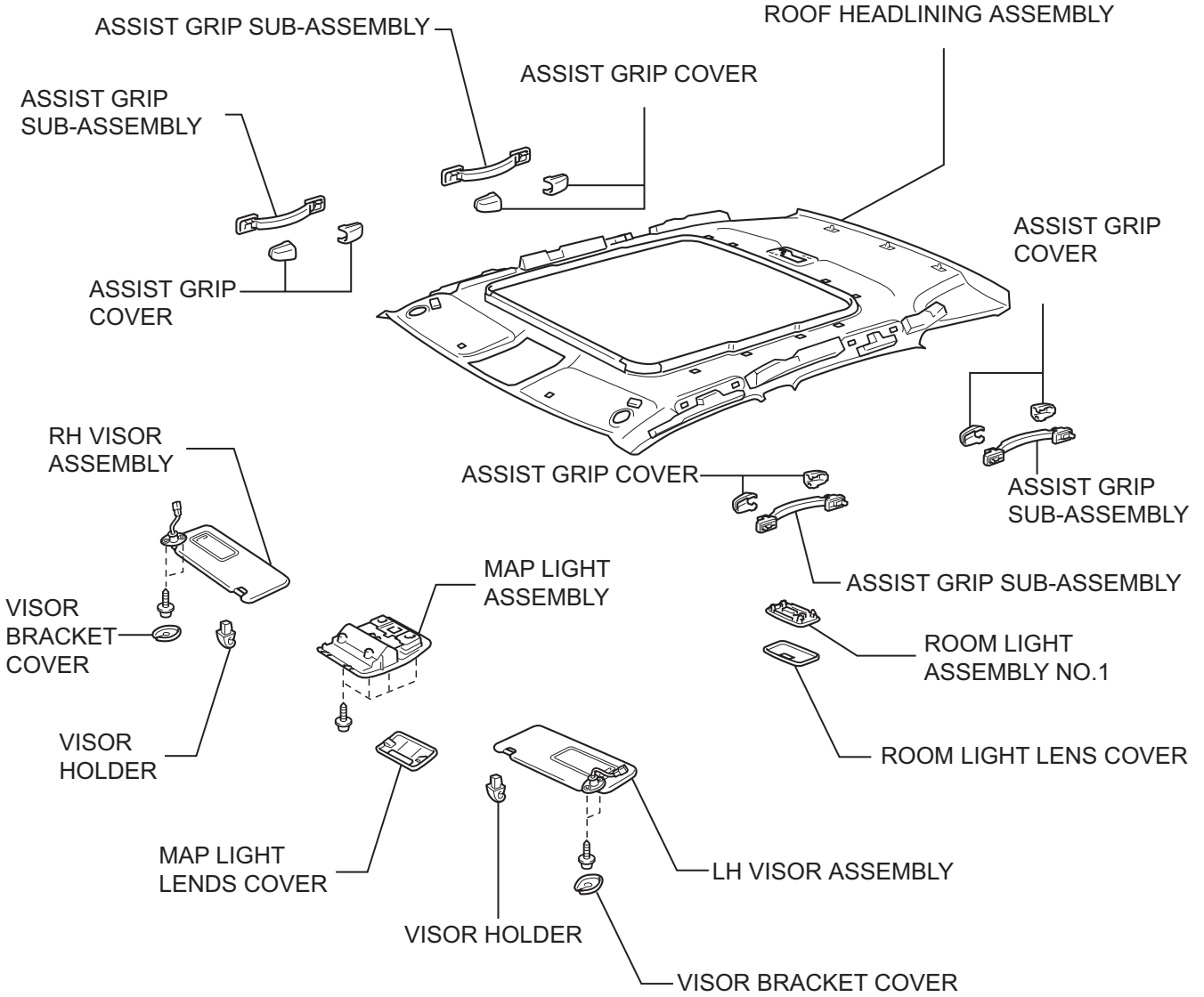
0

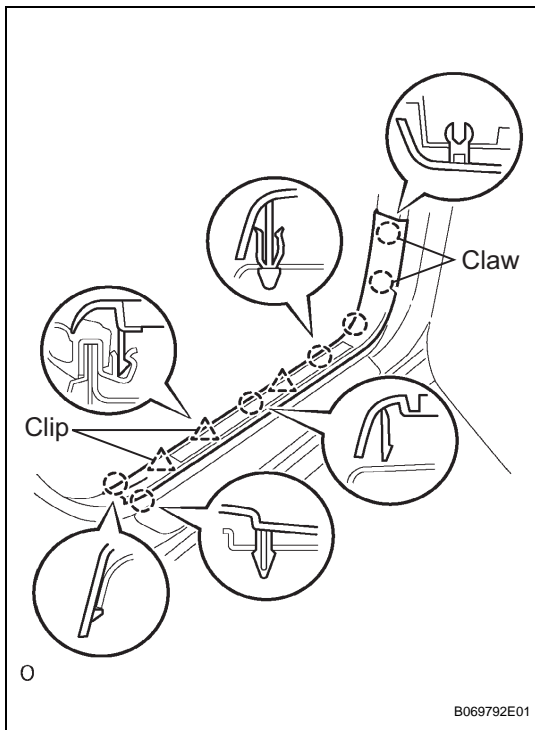


W/O SLIDING ROOF

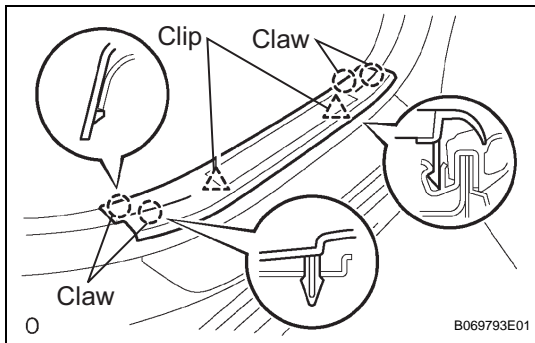


W/ SLIDING ROOF (MULTI-PANEL MOON ROOF TYPE)



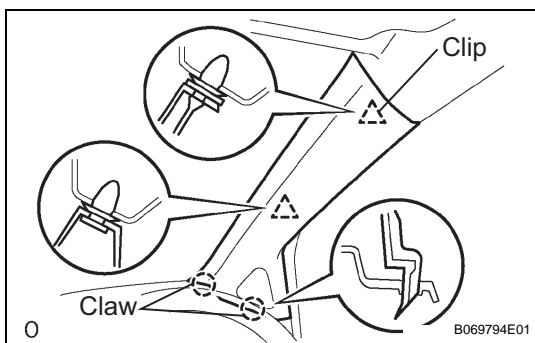
REMOVAL

1. **REMOVE FRONT DOOR SCUFF PLATE RH**
 - (a) Using a screwdriver, disengage the 7 claws and 3 clips, and remove the scuff plate.
HINT:
Tape the screwdriver tip before use.
2. **REMOVE FRONT DOOR SCUFF PLATE LH**
HINT:
Use the same procedures described for the RH side.

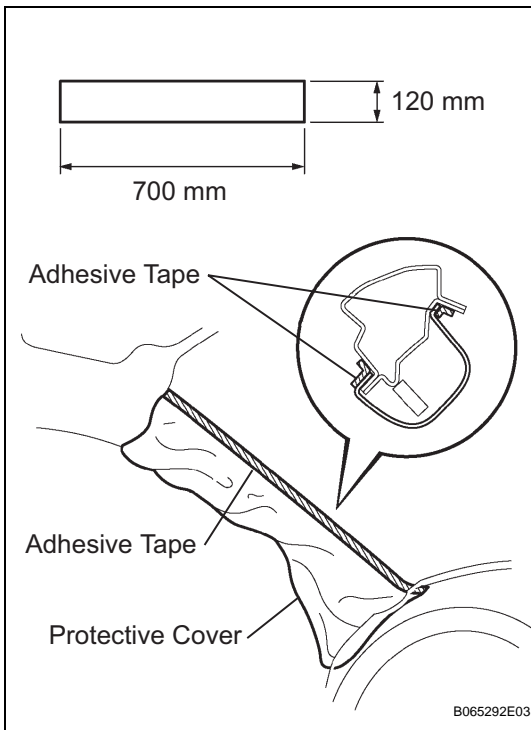


3. **REMOVE REAR DOOR SCUFF PLATE RH**
 - (a) Using a screwdriver, disengage the 4 claws and 2 clips, and remove the scuff plate.
HINT:
Tape the screwdriver tip before use.
4. **REMOVE REAR DOOR SCUFF PLATE LH**
HINT:
Use the same procedures described for the RH side.

5. **REMOVE FRONT DOOR OPENING TRIM WEATHERSTRIP RH**
6. **REMOVE FRONT DOOR OPENING TRIM WEATHERSTRIP LH**
7. **REMOVE REAR DOOR OPENING TRIM WEATHERSTRIP RH**
8. **REMOVE REAR DOOR OPENING TRIM WEATHERSTRIP LH**
9. **REMOVE FRONT PILLAR GARNISH RH**



- (a) Using a screwdriver, disengage the 2 claws and 2 clips and remove the garnish by pulling it up.
HINT:
Tape the screwdriver tip before use.
NOTICE:
Removing the garnish damages the upper clip.
When installing the garnish, use a new clip for the damaged clip.



- (b) Pull the garnish upward, and remove it from the instrument panel.
- (c) w/ Curtain shield airbag:
Protect the curtain shield airbag.
 - (1) Thoroughly cover the airbag with cloth or nylon of 700 mm (27.56 in.) x 120 mm (4.72 in.) and fix the ends of the cover with adhesive tape, as shown in the illustration.

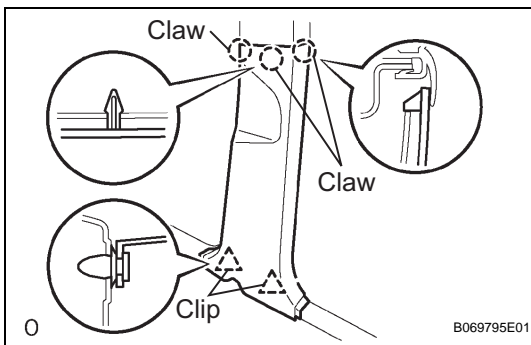
NOTICE:

Cover the curtain shield airbag with the protection cover as soon as the front pillar garnish is removed.

10. REMOVE FRONT PILLAR GARNISH LH

HINT:

Use the same procedures described for the RH side.



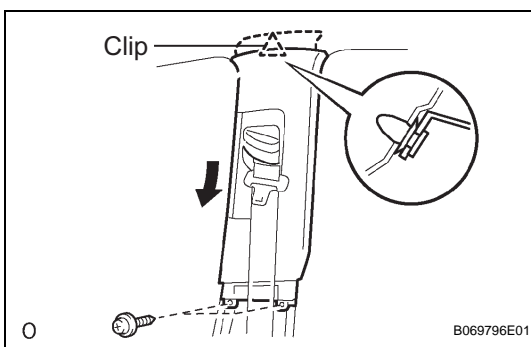
11. REMOVE CENTER PILLAR GARNISH LOWER RH

- (a) Remove the floor anchor cover.
- (b) Remove the bolt and the front seat outer belt on the floor anchor side.
- (c) Disengage the 3 clips and 2 claws, and remove the center pillar garnish.

12. REMOVE CENTER PILLAR GARNISH LOWER LH

HINT:

Use the same procedures described for the RH side.



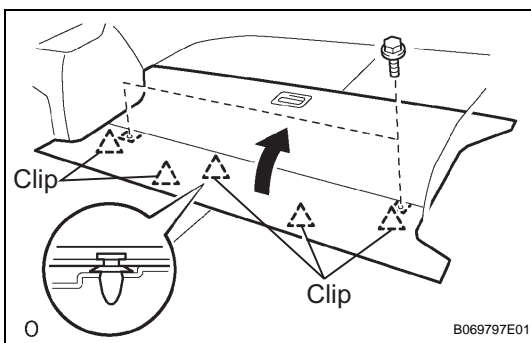
13. REMOVE CENTER PILLAR GARNISH RH

- (a) Remove the 2 screws.
- (b) Disengage the claw and remove the center pillar garnish by pulling it down.

14. REMOVE CENTER PILLAR GARNISH LH

HINT:

Use the same procedures described for the RH side.



15. REMOVE DECK BOARD SUB-ASSEMBLY

- (a) Disengage the 5 clips and turn up the front side of the deck board.
- (b) Remove the 2 bolts and deck board.

16. REMOVE REAR SEAT ASSEMBLY RH

(See page [SE-62](#))

17. REMOVE REAR SEAT ASSEMBLY LH

(See page [SE-50](#))

18. REMOVE TONNEAU COVER ASSEMBLY

19. REMOVE DECK FLOOR BOX FRONT

- (a) Using a clip remover, remove the 2 clips and deck floor box.

20. REMOVE DECK FLOOR BOX REAR

- (a) Using a clip remover, remove the 2 clips and deck floor box.

21. REMOVE DECK BOARD SUB-ASSEMBLY NO.2

- (a) Remove the 4 nuts and deck board.

22. REMOVE DECK BOARD SUB-ASSEMBLY NO.3

- (a) Remove the 2 nut and deck board.

23. REMOVE BACK DOOR WEATHERSTRIP**24. REMOVE DECK SIDE TRIM BOX RH**

- (a) Remove the clip.
 (b) Using a clip remover, remove the 2 clips and deck side trim box.

25. REMOVE DECK SIDE TRIM BOX LH

HINT:

Use the same procedures described for the RH side.

26. REMOVE REAR FLOOR FINISH PLATE

- (a) Using a clip remover, remove the 2 clips and finish plate.

27. REMOVE REAR FLOOR FINISH SIDE PLATE RH

- (a) Using a clip remover, remove the clip.
 (b) Using a screwdriver, disengage the 2 clips and remove the floor finish side plate.

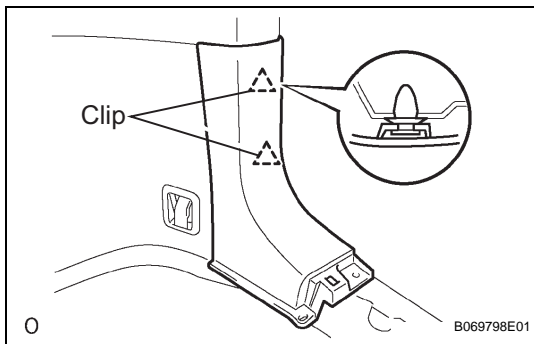
HINT:

Tape the screwdriver tip before use.

28. REMOVE REAR FLOOR FINISH SIDE PLATE LH

HINT:

Use the same procedures described for the RH side.

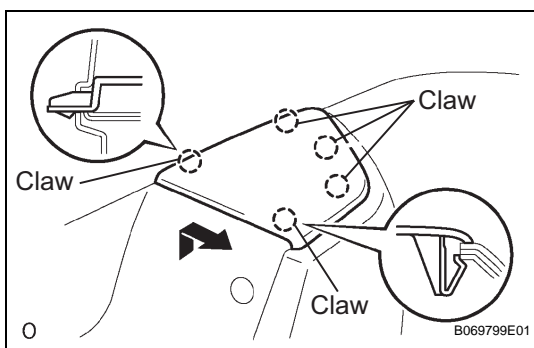
**29. REMOVE DECK SIDE TRIM COVER RH**

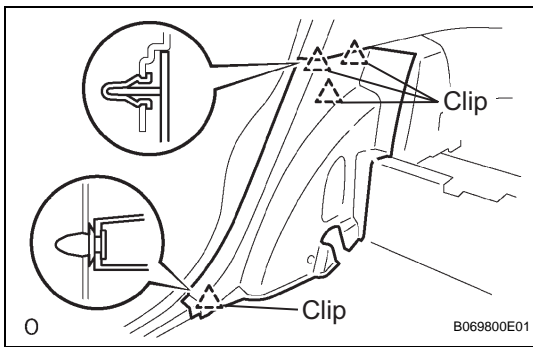
- (a) Using a moulding remover, disengage the 5 claws and remove the trim cover by pulling it to inside the vehicle.

30. REMOVE DECK SIDE TRIM COVER LH

HINT:

Use the same procedures described for the RH side.





31. REMOVE REAR SEAT SIDE COVER RH

- (a) Remove the bolt and belt on the floor anchor side.
- (b) Using a clip remover, remove the 2 clips.
- (c) Using a screwdriver, disengage the 4 clips and remove the side cover.

HINT:

Tape the screwdriver tip before use.

32. REMOVE REAR SEAT SIDE COVER LH

HINT:

Use the same procedures described for the RH side.

33. REMOVE ROPE HOOK

- (a) Remove the 4 bolts and 4 hooks.

34. REMOVE DECK TRIM SIDE PANEL ASSEMBLY RH

- (a) Using a clip remover, remove the 4 clips.
- (b) Using a screwdriver, disengage the 2 clips and remove the side panel.

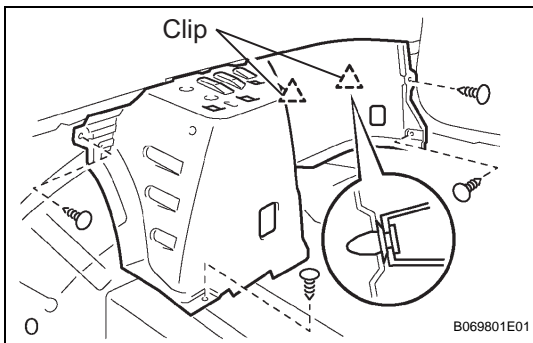
HINT:

Tape the screwdriver tip before use.

35. REMOVE DECK TRIM SIDE PANEL ASSEMBLY LH

HINT:

Use the same procedures described for the RH side.



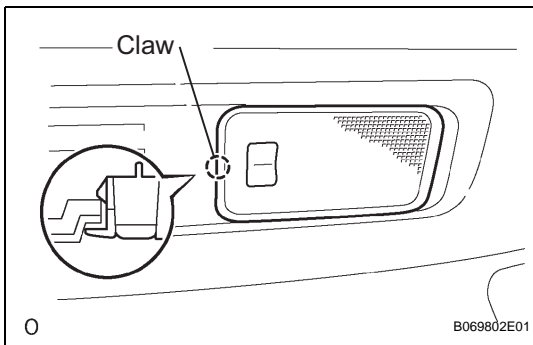
36. REMOVE ROOM LIGHT ASSEMBLY NO.2

- (a) Using a screwdriver, disengage the clip and remove the room light.

HINT:

Tape the screwdriver tip before use.

- (b) Disconnect the room light connector.



37. REMOVE ROOF SIDE GARNISH ASSEMBLY INNER RH

- (a) Using a screwdriver, disengage the claws and remove the bezel.

HINT:

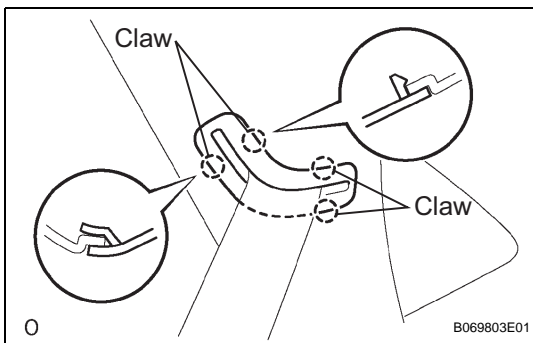
Tape the screwdriver tip before use.

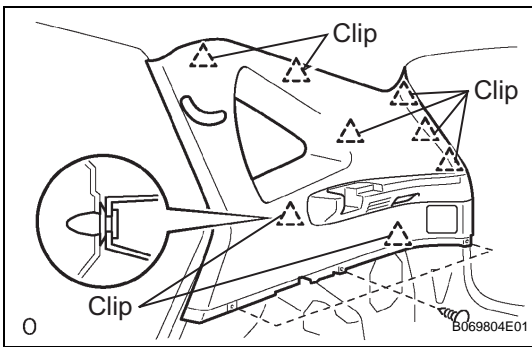
- (b) Using a screwdriver, disengage the claws and remove the hole cover.

HINT:

Tape the screwdriver tip before use.

- (c) Remove the 3 bolts.

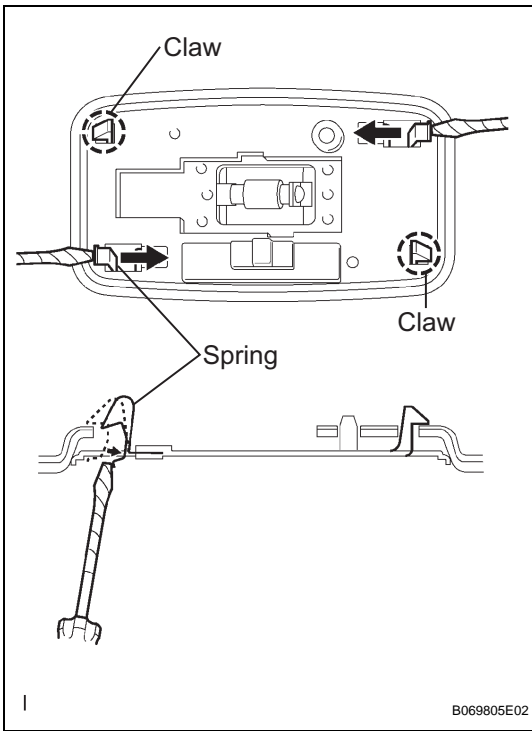




- (d) Using a clip remover, remove the 3 clips.
 - (e) Using a screwdriver, disengage the 8 clips and remove the roof side garnish.
- HINT:
Tape the screwdriver tip before use.

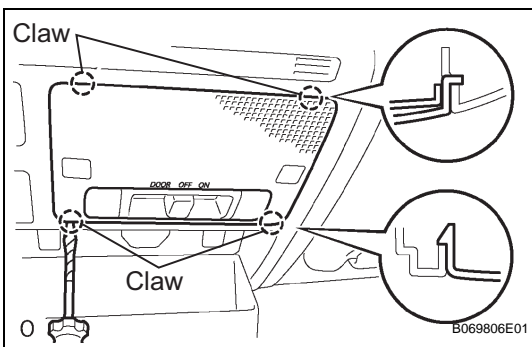
38. REMOVE ROOF SIDE GARNISH ASSEMBLY INNER LH

- HINT:
Use the same procedures described for the RH side.



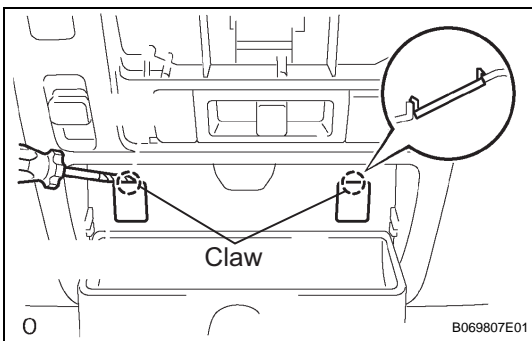
39. REMOVE ROOM LIGHT ASSEMBLY NO.1

- (a) Using a screwdriver, remove the lens cover.
- HINT:
Tape the screwdriver tip before use.
- (b) Using a screwdriver, disengage the 4 claws and remove the room light, as shown in the illustration.
- HINT:
Tape the screwdriver tip before use.
- (c) Disconnect the room light connector.

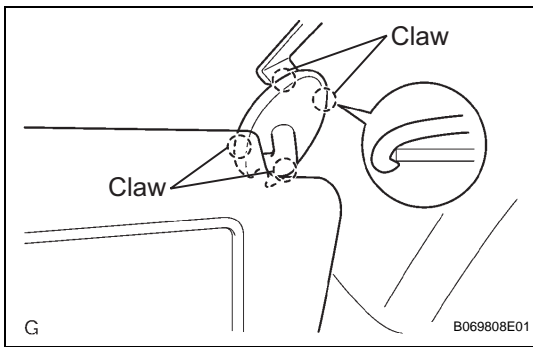


40. REMOVE MAP LIGHT ASSEMBLY

- (a) Using a screwdriver, disengage the 4 claws and remove the lens cover.
- HINT:
Tape the screwdriver tip before use.



- (b) Using a screwdriver, disengage the 2 claws and remove the cap, as shown in the illustration.
- HINT:
Tape the screwdriver tip before use.
- (c) Remove the 4 screws.
 - (d) Disconnect the map light connector and remove the map light.

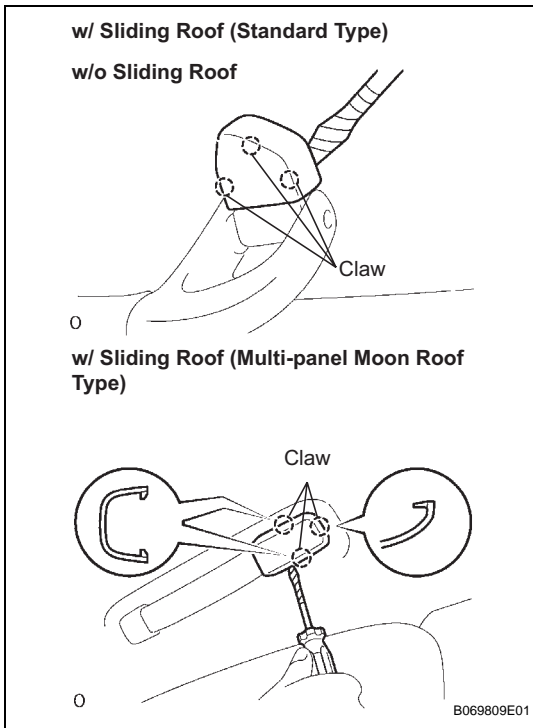


41. REMOVE RH VISOR ASSEMBLY

- (a) Using a moulding remover, disengage the 4 claws and remove the visor bracket cover.
- (b) Remove the 2 screws.
- (c) Disconnect the connector and remove the visor.

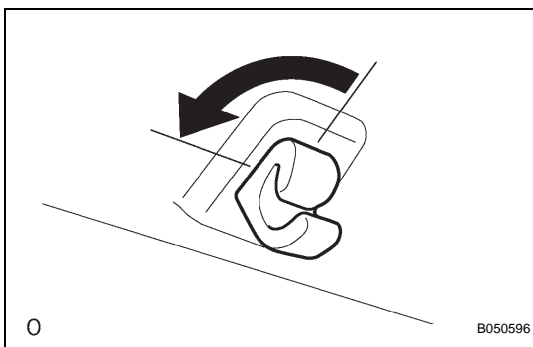
42. REMOVE LH VISOR ASSEMBLY

- HINT:**
Use the same procedures described for the RH side.



43. REMOVE ASSIST GRIP SUB-ASSEMBLY

- (a) Using a screwdriver, disengage the 6 claws and remove the assist grip covers.
HINT:
Tape the screwdriver tip before use.
- (b) Remove the 2 screws and assist grip.
HINT:
When removing the assist grip, be careful not separate the screws from the assist grip.

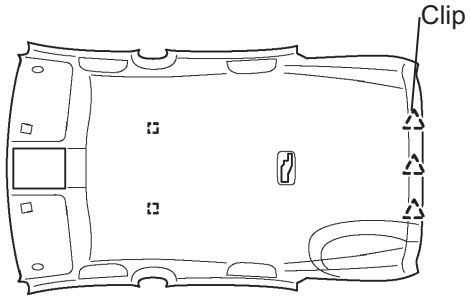


44. REMOVE VISOR HOLDER

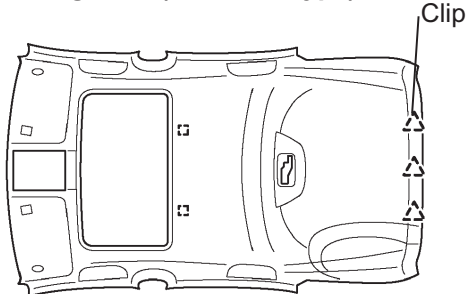
- (a) Remove the holder of the sun visor by turning it counterclockwise.

45. REMOVE SUN ROOF OPENING TRIM MOULDING (w/ Sliding Roof)

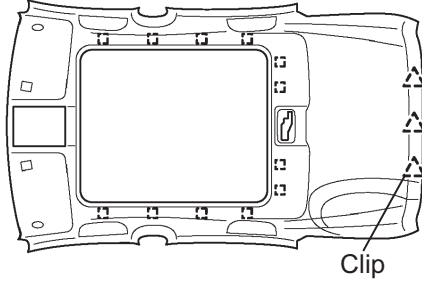
w/o Sliding Roof



w/ Sliding Roof (Standard Type)



w/ Sliding Roof (Multi-panel Moon Roof Type)



0

B069484E01

46. REMOVE ROOF HEADLINING ASSEMBLY

- (a) Using a clip remover, disengage the 3 clips and remove the headlining.