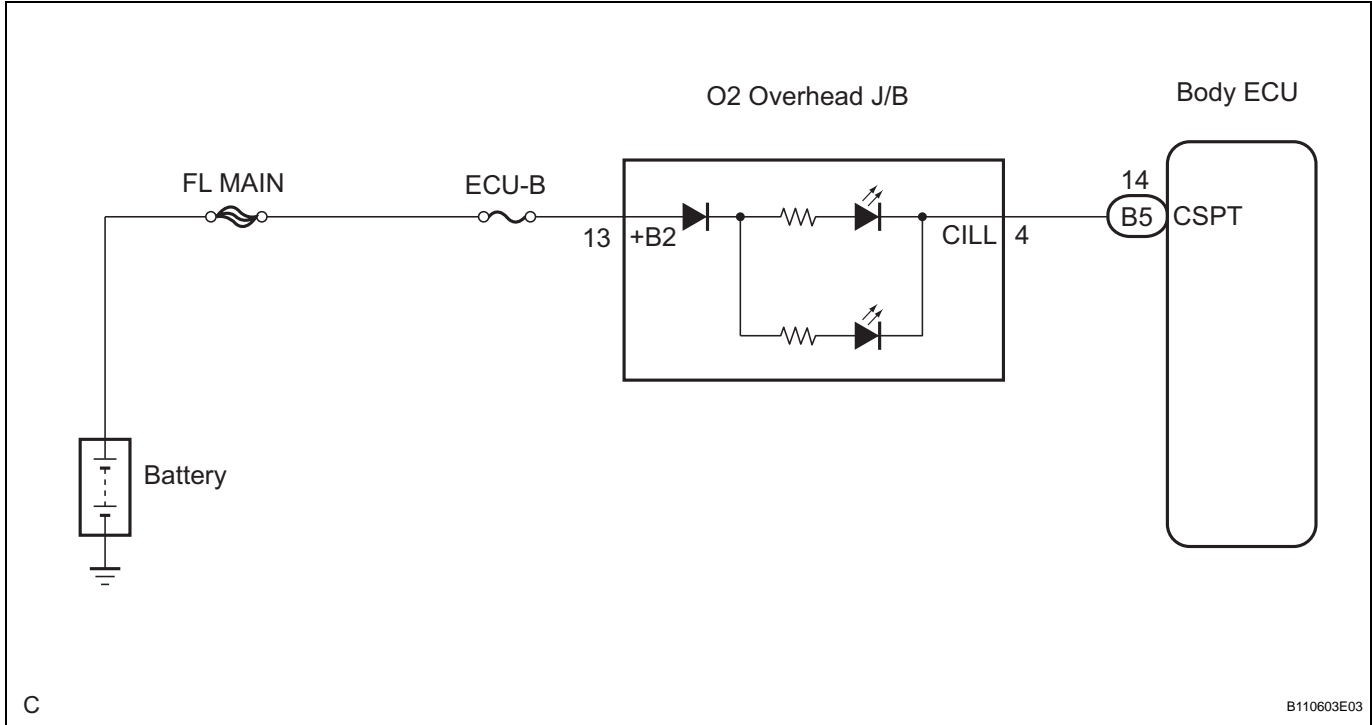


Overhead Console Illumination Light Circuit

DESCRIPTION

The body ECU controls the overhead console illumination light.

WIRING DIAGRAM



1 PERFORM ACTIVE TEST BY INTELLIGENT TESTER

- (a) Connect the intelligent tester to the DLC3.
- (b) Turn the ignition switch to the ON position and press the intelligent tester main switch ON.
- (c) Select the items below in the ACTIVE TEST, and then check that the light comes on.

BODY

Item	Test Details	Diagnostic Note
CONSOLE LIGHT	Center console illumination ON/OFF	-

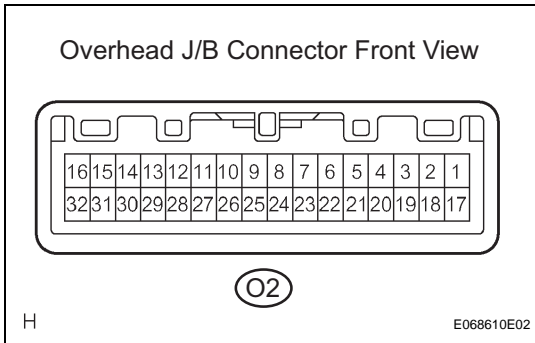
NG

Go to step 2

OK

PROCEED TO NEXT CIRCUIT INSPECTION SHOWN IN PROBLEM SYMPTOMS TABLE

2 INSPECT PERSONAL LIGHT ASSEMBLY



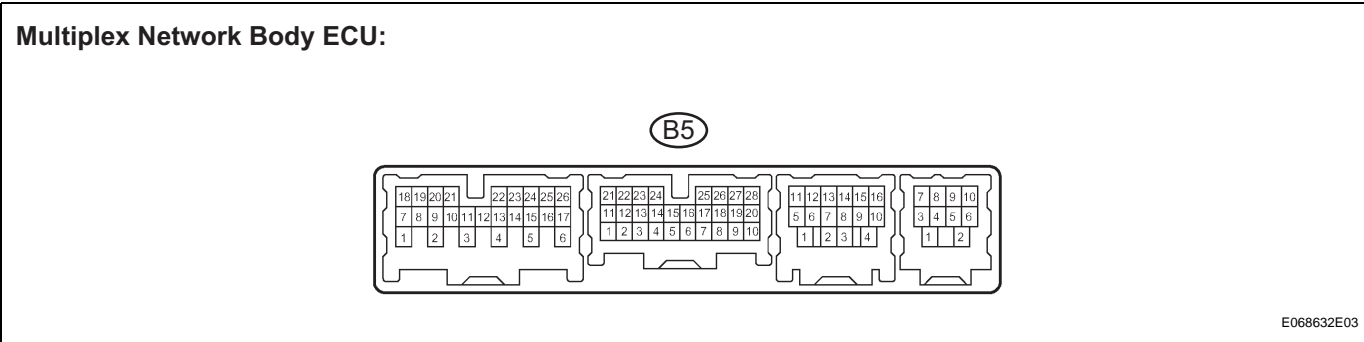
- (a) Disconnect the overhead junction block connector.
- (b) Connect the positive (+) lead from the battery to the terminal 13 and negative (-) lead from the battery to the terminal 4.
- (c) Inspect the overhead console illumination light comes on.

NG → **REPLACE PERSONAL LIGHT ASSEMBLY**

OK

3 INSPECT INSTRUMENT PANEL JUNCTION BLOCK ASSEMBLY

- (a) Measure the voltage according to the value(s) in the table below.



Voltage

Tester connection	Condition	Specified condition
B5-14 - Body ground	All door is closed → Front or rear door is open	10 to 14 V → Below 1 V

NG → **REPAIR OR REPLACE HARNESS OR CONNECTOR**

OK

PROCEED TO NEXT CIRCUIT INSPECTION SHOWN IN PROBLEM SYMPTOMS TABLE