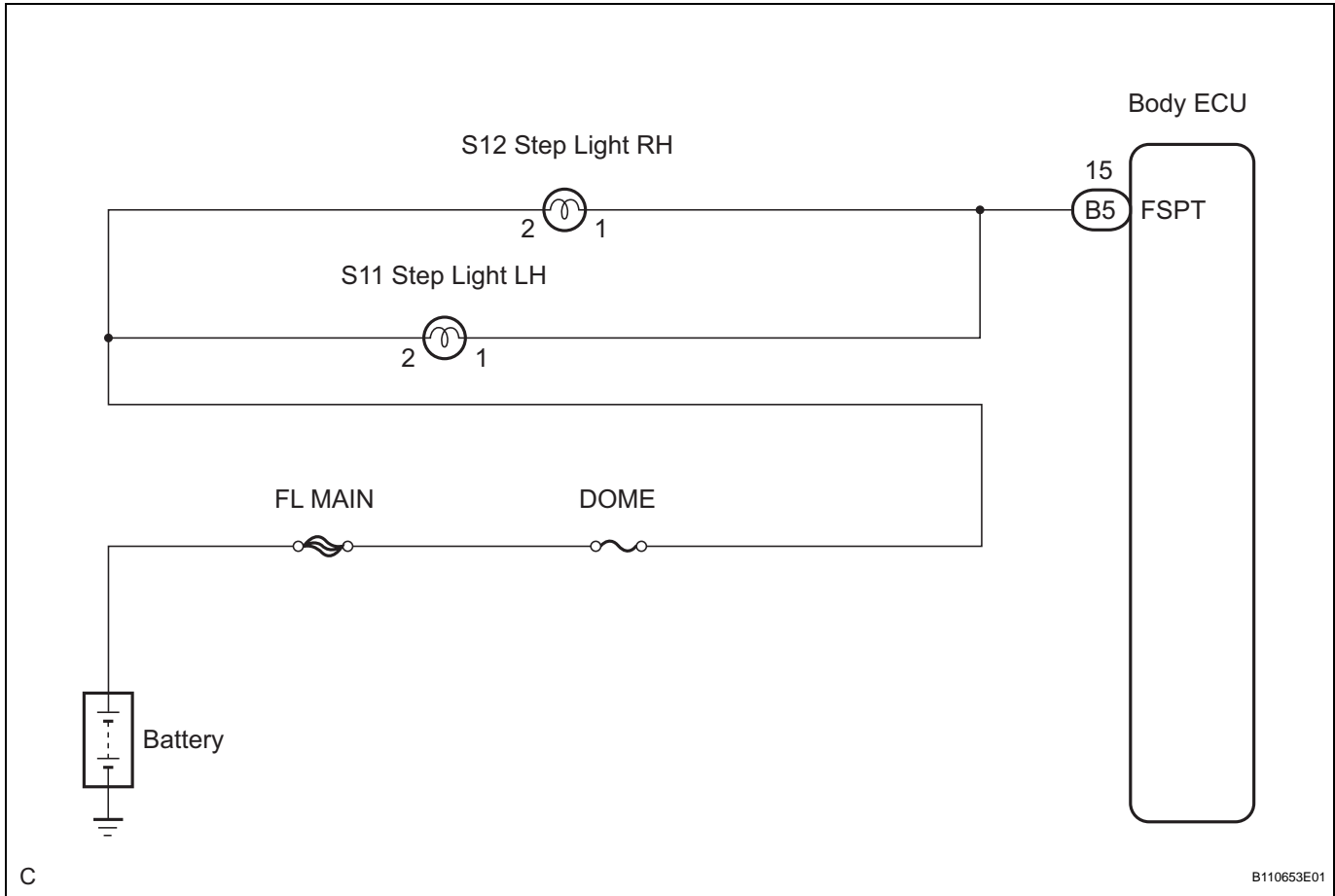


## Step Illumination Circuit

### DESCRIPTION

The body ECU receives information regarding the door lock position switch and ignition switch, and turns on each step light. It also receives shift position information and controls the illumination.

### WIRING DIAGRAM



## 1 PERFORM ACTIVE TEST BY INTELLIGENT TESTER

- (a) Connect the intelligent tester to the DLC3.
- (b) Turn the ignition switch to the ON position and press the intelligent tester main switch ON.
- (c) Select the items below in the ACTIVE TEST and then check that the relay operates.

### BODY

Item	Test Details	Diagnostic Note
STEP LIGHT	Step light ON/OFF	-

NG
Go to step 2

OK

PROCEED TO NEXT CIRCUIT INSPECTION SHOWN IN PROBLEM SYMPTOMS TABLE

**2 INSPECT INTERIOR LIGHT**

(a) Inspect the step light (See page [LI-220](#)).

NG → REPLACE INTERIOR LIGHT

OK

**3 INSPECT INSTRUMENT PANEL JUNCTION BLOCK ASSEMBLY**

(a) Measure the voltage according to the value(s) in the table below.

Multiplex Network Body ECU:

LI

**Voltage**

Tester connection	Condition	Specified condition
B5-15 - Body ground	All door is closed → Front or rear door is open	10 to 14 V → Below 1 V

NG → REPAIR OR REPLACE HARNESS OR CONNECTOR

OK

PROCEED TO NEXT CIRCUIT INSPECTION SHOWN IN PROBLEM SYMPTOMS TABLE